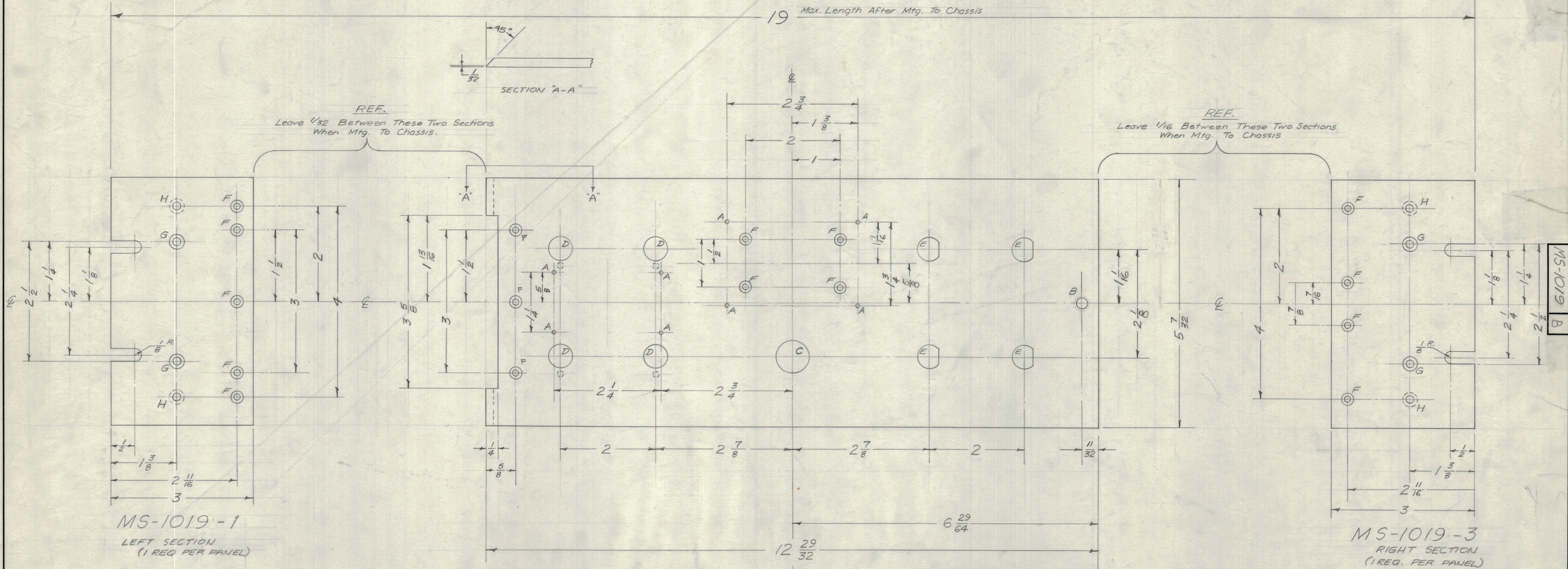


IF IT IS FOUND DESIRABLE TO CHANGE ANY TOLERANCE OR OTHER DETAIL SPECIFIED ON THIS DRAWING NOTIFY THE PURCHASER PROMPTLY.
 MAXIMUM ALLOWABLE TOLERANCES HAVE BEEN DETERMINED AND DEVIATIONS WILL BE CAUSE FOR REJECTION. REMOVE ALL BURRS AND SHARP EDGES

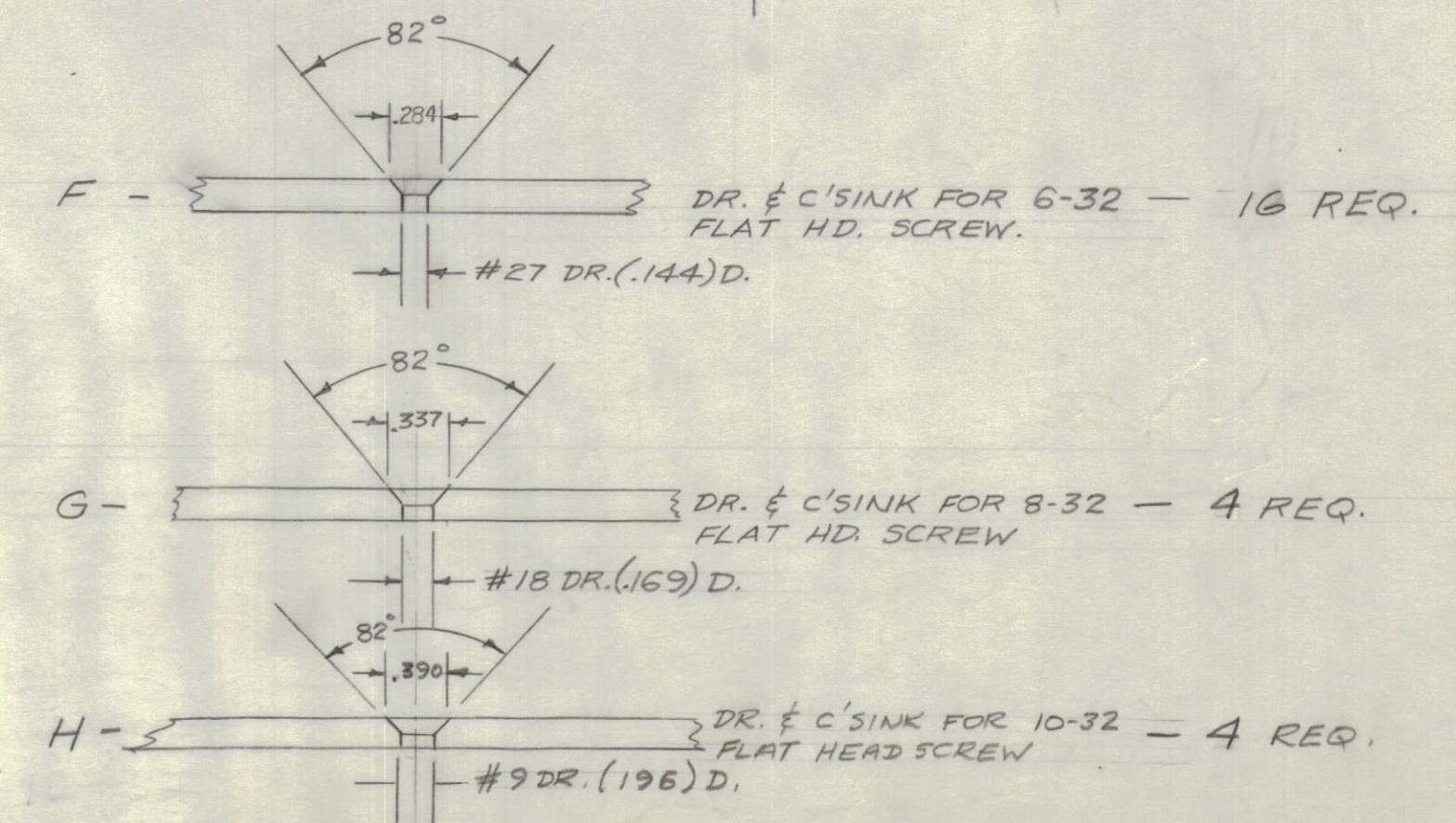
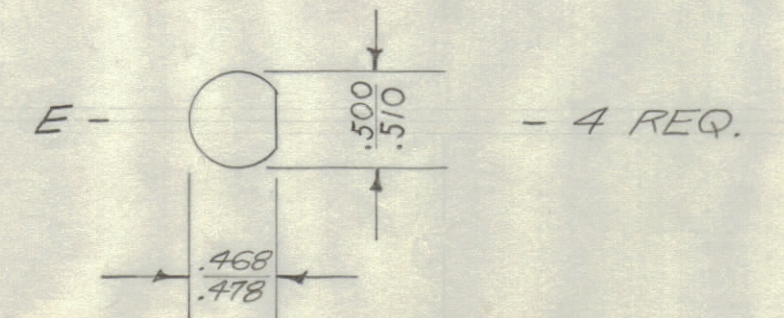
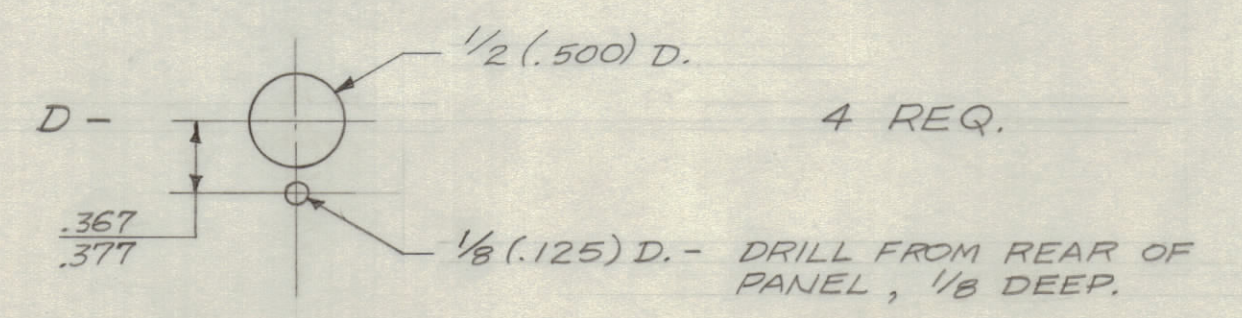
NOTICE TO PERSONS RECEIVING THIS DRAWING

THE TECHNICAL MATERIEL CORPORATION claims proprietary right in the material disclosed herein. This drawing is issued in confidence for engineering information only and may not be reproduced or used to manufacture any items shown herein without permission from THE TECHNICAL MATERIEL CORPORATION to the user. This drawing is loaned for mutual assistance and is subject to recall at any time.

Property of:
 THE TECHNICAL MATERIEL CORPORATION
 MAMARONECK, NEW YORK



- A - 5/64 (.078) D. - #47 DR. - 8 REQ.
- B - 1/4 (.250) D. - 1 REQ.
- C - 1/16 (.687) D. - 1 REQ.



NOTE - FINISH -
 5404 YEL. IRIDITE
 5114 ZINC CHROMATE PRIMER
 5115 SMOOTH GREY ENAMEL
 OR PRIME & PAINT TO CUSTOMERS SPECIFICATION

REF. - LD-319 (2 SIZE)

REV.	DATE	BY	CHKD.	APP.
B	10/10/57	WAS		EMN
A	8/10/57	WAS		EMN
1	8/10/57	WAS		EMN

REQ. PER UNIT	MODEL	PROJECT NO.	ASSY. NO.	DATE
1	TST	638		1-14-57
1	T5R	638		1-14-57

REQ. ITEM	PART NO.	DESCRIPTION	SYMBOL
3/16 THK.		ALUMINUM	
2024-T3			
1			
1			

MS-1019 B