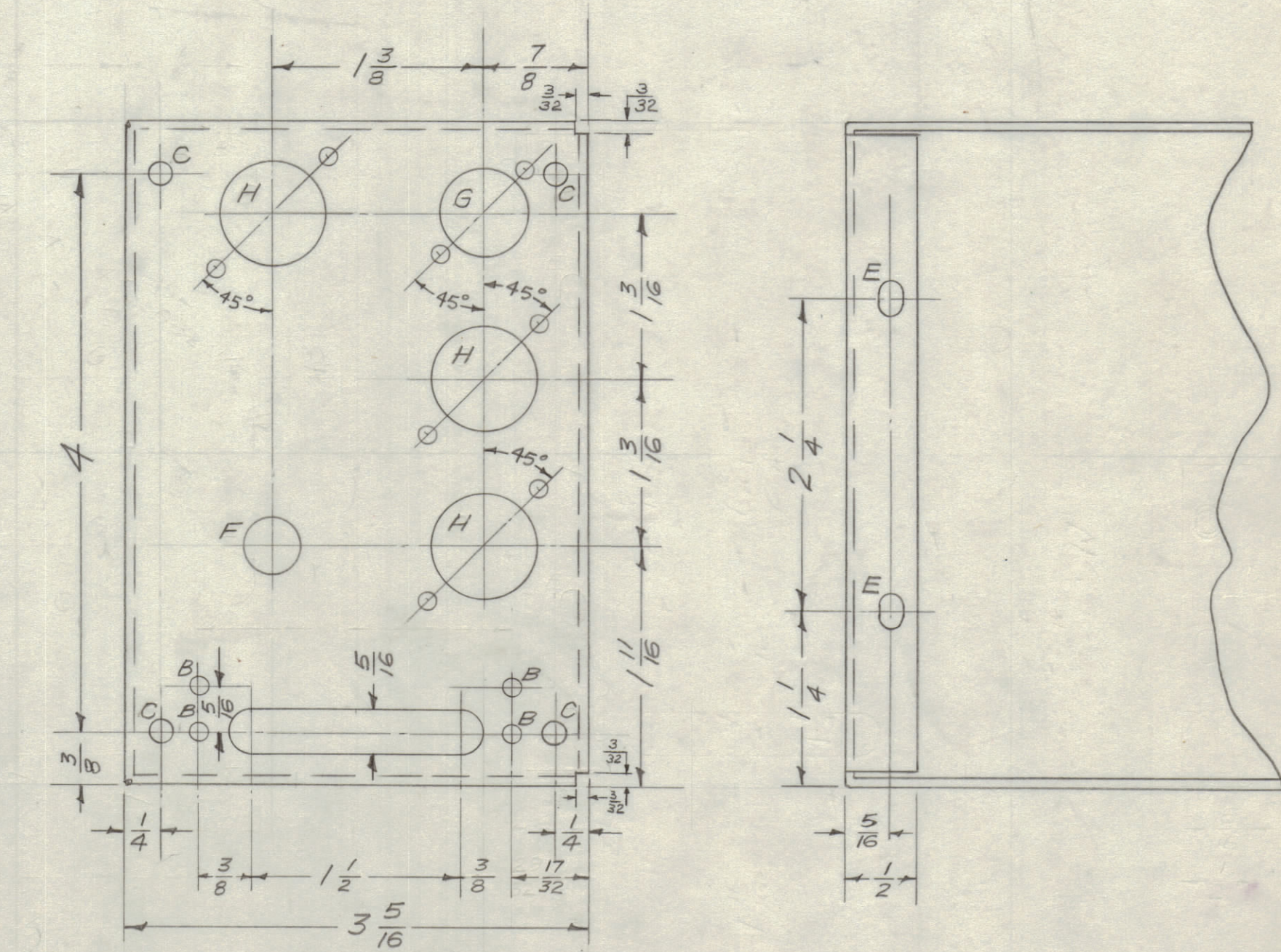
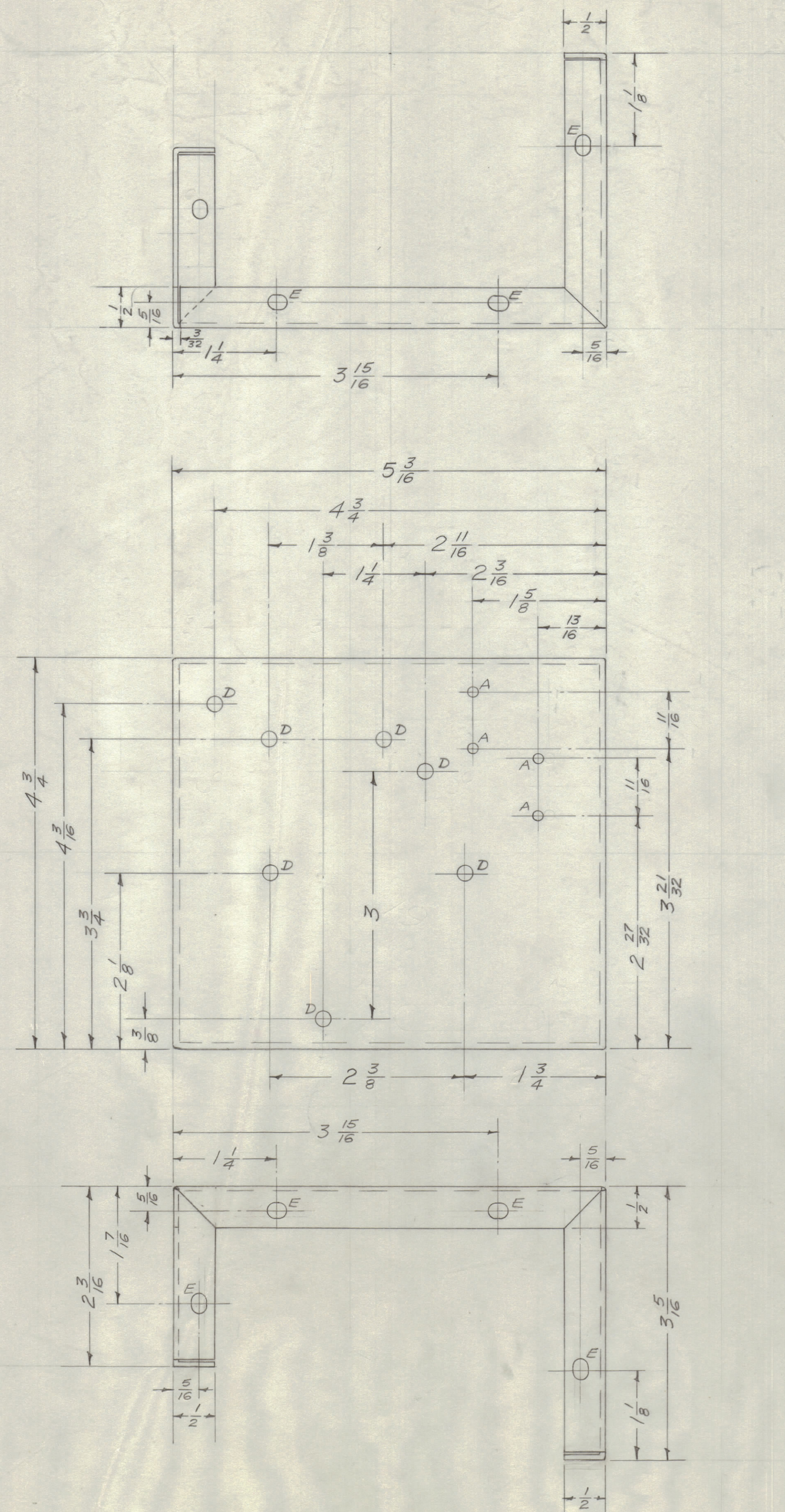
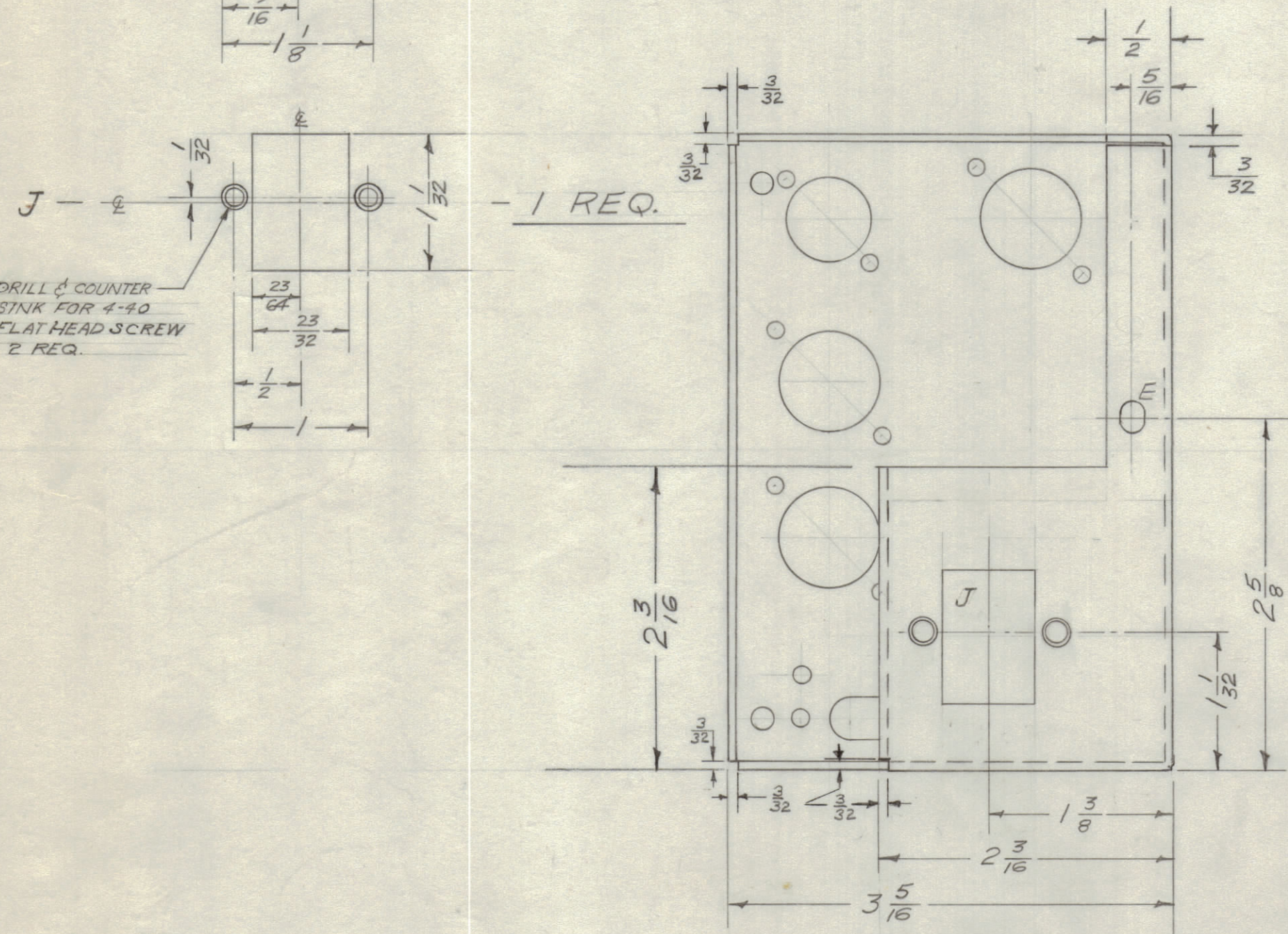
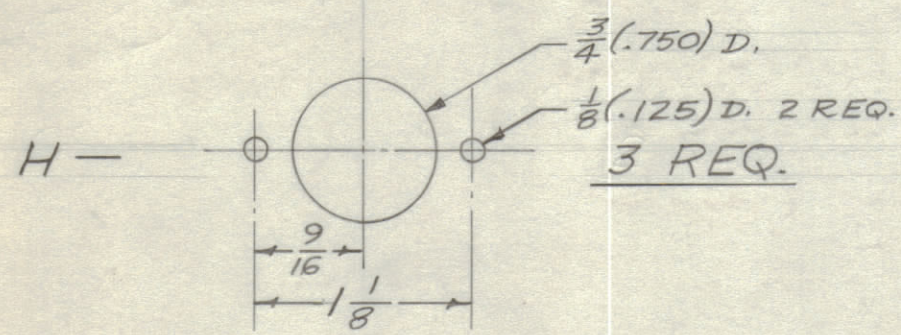
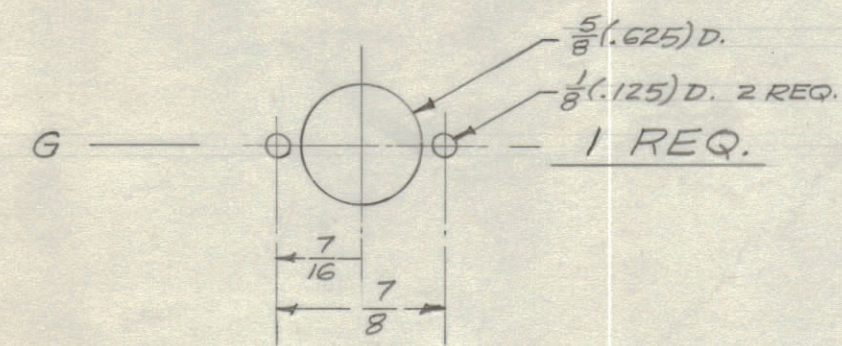


IF IT IS FOUND DESIRABLE TO CHANGE ANY TOLERANCE OR OTHER DETAIL SPECIFIED ON THIS DRAWING NOTIFY THE PURCHASER PROMPTLY.  
 MAXIMUM ALLOWABLE TOLERANCES HAVE BEEN DETERMINED AND DEVIATIONS WILL BE CAUSE FOR REJECTION.  
 REMOVE ALL BURRS AND SHARP EDGES

- A -  $\frac{3}{32}$  (.093) D. 4 REQ.
- B -  $\frac{1}{8}$  (.125) D. 4 REQ.
- C -  $\frac{11}{64}$  (.171) D. 4 REQ.
- D -  $\frac{3}{16}$  (.187) D. 7 REQ.
- E -  $\frac{3}{16} \times \frac{1}{4}$  SLOT 10 REQ.
- F -  $\frac{13}{32}$  (.406)



NOTICE TO PERSONS RECEIVING THIS DRAWING  
 THE TECHNICAL MATERIEL CORPORATION claims proprietary right in the material disclosed hereon. This drawing is issued in confidence for engineering information only and may not be reproduced or used to manufacture anything shown hereon without permission from THE TECHNICAL MATERIEL CORPORATION to the user. This drawing is loaned for mutual assistance and is subject to recall at any time.  
 Property of:  
 THE TECHNICAL MATERIEL CORPORATION  
 MAMARONECK, NEW YORK

MS-1024 B

BLANK SIZE  $11 \frac{5}{16} \times 5 \frac{9}{16}$

|     |  |          |         |        |         |           |
|-----|--|----------|---------|--------|---------|-----------|
| REV | DESCRIPTION                              | DATE     | CH. NO. | DRAFTS | CHECKER | ENG. APP. |
| B   | S-404 YEL. IRIDITE WAS S-101 CAUSTIC DIP | 12/10/57 | 1001    | AB     |         | EMN       |
| A   | 3/32 Notches Added                       |          |         |        |         |           |
| 1   | "U" HOLES COUNTER SUNK                   | 2-7-57   | 1       | SC.    | 16      | OMP       |

ISSUE ITEM CHANGED FROM DATE CH. NO. DRAFTS CHECKER ENG. APP.  
 TOLERANCES SCALE:  
 ALL DEC. DIM. ± .004  
 OTHERS FRAC. DIM. ± .004 ANGULAR DIM. ± .004  
 DRILL PUNCH, COMMERCIAL STOCK SIZES AND MANUFACTURERS TOLERANCES ARE NOT INCLUDED.

| REQ. PER UNIT | ITEM | MODEL | PROJECT NO. | ASS'Y. NO. | DATE    | DESCRIPTION  | SYMBOL |
|---------------|------|-------|-------------|------------|---------|--|--------|
| 1             | TRU  | 638   |             |            | 1-18-57 | THE TECHNICAL MATERIEL CORP.<br>MAMARONECK, NEW YORK<br>MAIN CHASSIS,<br>Model TRU |        |
|               |      |       |             |            |         | 5052-H32   |        |
|               |      |       |             |            |         | ALUMINUM .064 THK.   |        |
|               |      |       |             |            |         | STOCK SIZE   |        |
|               |      |       |             |            |         | TYPE & TEMPER  |        |
|               |      |       |             |            |         | HEAT TREAT. SPEC.  |        |
|               |      |       |             |            |         | FINISH & SPEC. NO.   |        |
|               |      |       |             |            |         | DRAWN  |        |
|               |      |       |             |            |         | ELEC. DES. APP.  |        |
|               |      |       |             |            |         | MECH. DES. APP.  |        |
|               |      |       |             |            |         | CHECKED  |        |
|               |      |       |             |            |         | FINAL APPROVAL   |        |

MS-1024 B