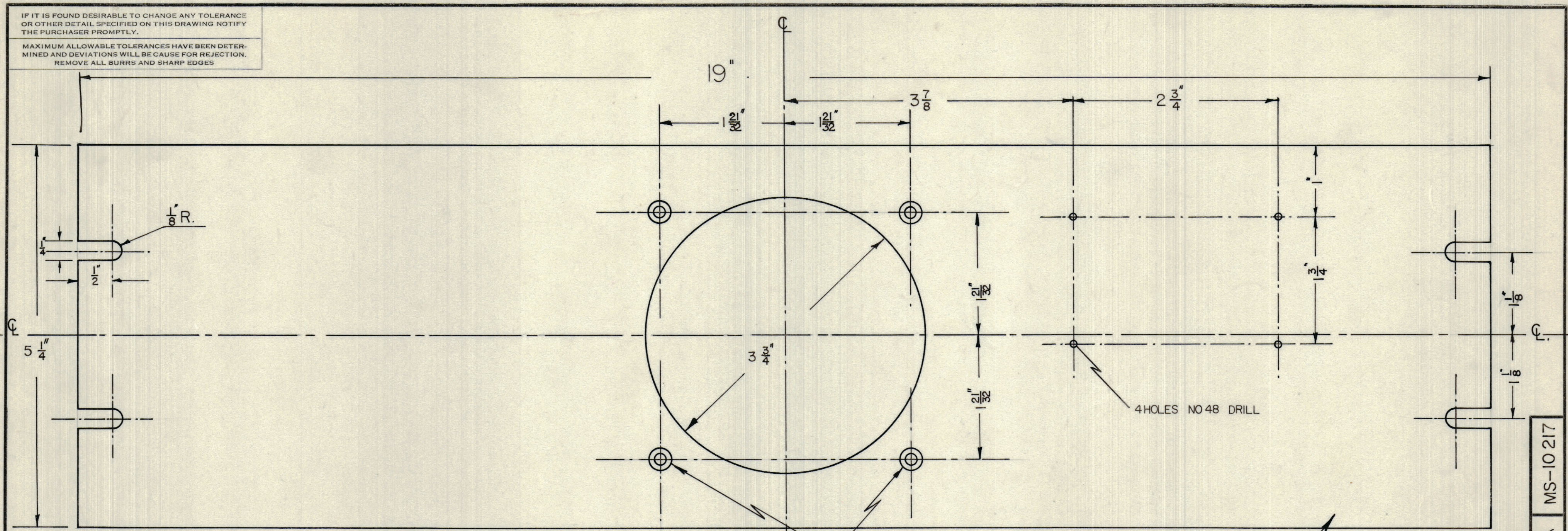
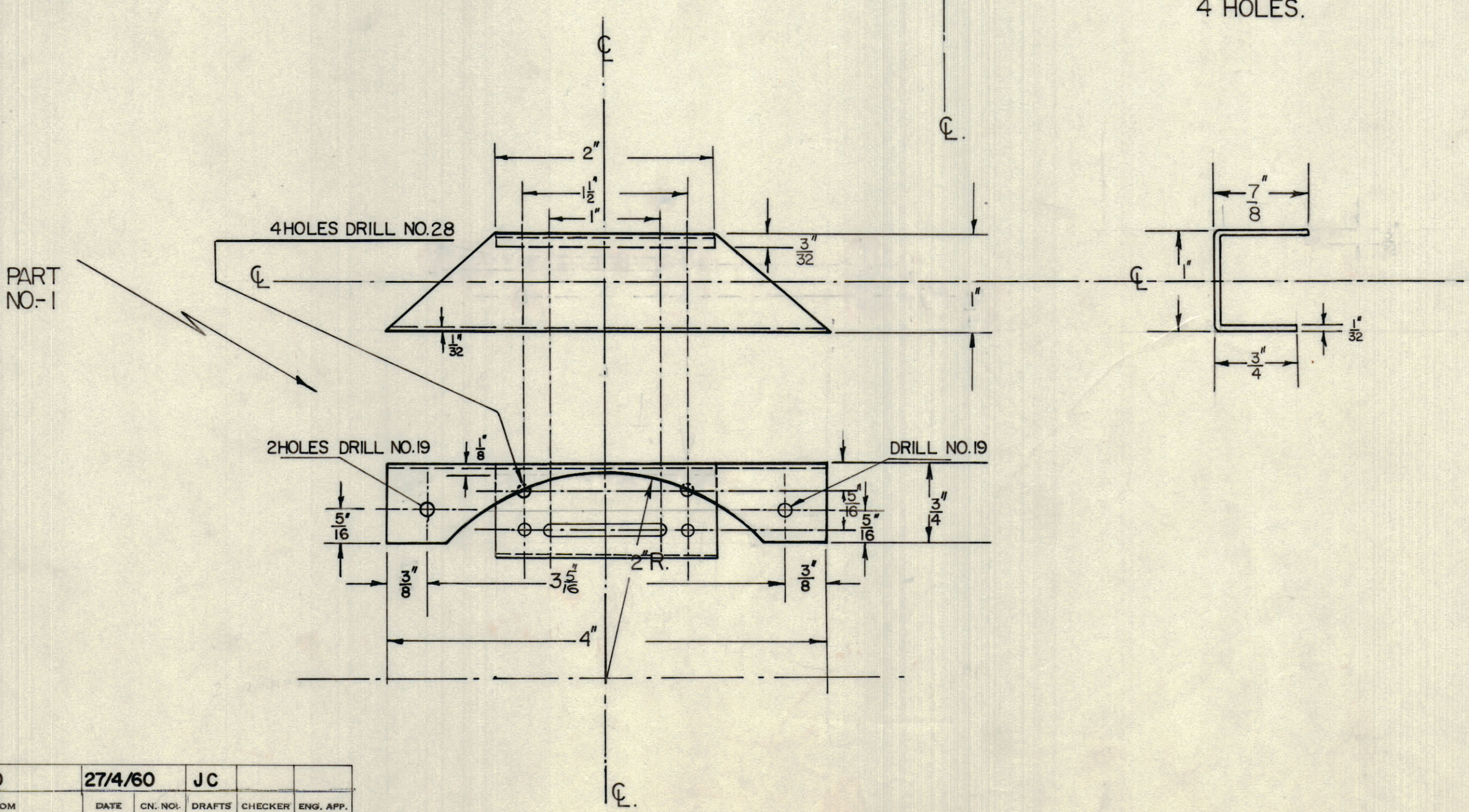


IF IT IS FOUND DESIRABLE TO CHANGE ANY TOLERANCE OR OTHER DETAIL SPECIFIED ON THIS DRAWING NOTIFY THE PURCHASER PROMPTLY.

MAXIMUM ALLOWABLE TOLERANCES HAVE BEEN DETERMINED AND DEVIATIONS WILL BE CAUSE FOR REJECTION. REMOVE ALL BURRS AND SHARP EDGES



A MS-10 217



PART NO-2

NOTICE TO PERSONS RECEIVING THIS DRAWING

THE TECHNICAL MATERIEL CORPORATION claims proprietary right in the material disclosed hereon. This drawing is issued in confidence for engineering information only and may not be reproduced or used to manufacture anything shown hereon without permission from THE TECHNICAL MATERIEL CORPORATION to the user. This drawing is loaned for mutual assistance and is subject to recall at any time.

Property of:
THE TECHNICAL MATERIEL CORPORATION
MAMARONECK, NEW YORK

A	CORRECTED	27/4/60	JC			
ISSUE	ITEM	CHANGED FROM	DATE	CN. NO.	DRAFTS	CHECKER
TOLERANCES			SCALE: 1" = 1"			
ALL OTHERS	DEC. DIM. ±	FRAC. DIM. ±	ANGULAR DIM. ±	DRILL, PUNCH, COMMERCIAL STOCK SIZES AND MANUFACTURERS TOLERANCES ARE NOT INCLUDED.		

LSP-4 A-10 160 46.58. Johnson

MODEL PROJECT No. ASS'Y. No. DATE

USED ON

1	2		LOUD SPEAKER PANEL 19" x 5-1/4" x 3/16"
1	1		TERM. BOARD - BRACKED.
REQ.	ITEM	PART No.	DESCRIPTION
STOCK SIZE			TMC (Canada) LIMITED
MATERIAL			OTTAWA ONTARIO
WEIGHT PER PC.			PANEL FOR LOUD SPEAKER
TYPE & TEMPER			AND TERM. BOARD BRACKED LSP 4
HEAT TREAT. SPEC.			<i>W. J. Baker</i>
FINISH & SPEC. No.			DRAWN ELEC. DES. APP. MECH. DES. APP.
			CHECKED FINAL APPROVAL
			MS-10 217 A