

IF IT IS FOUND DESIRABLE TO CHANGE ANY TOLERANCE OR OTHER DETAIL SPECIFIED ON THIS DRAWING NOTIFY THE PURCHASER PROMPTLY.

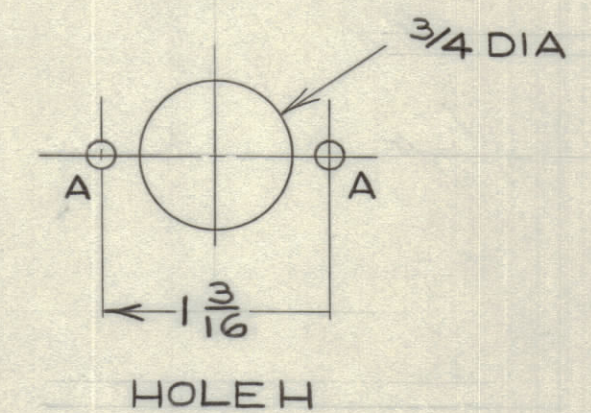
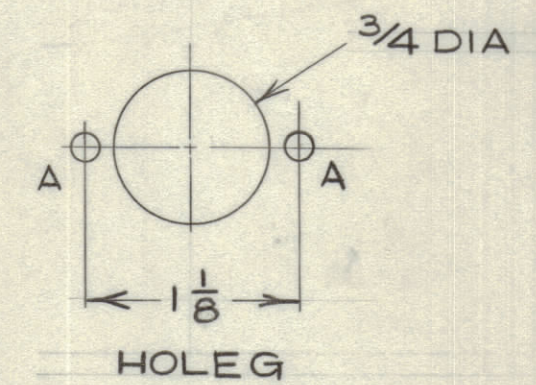
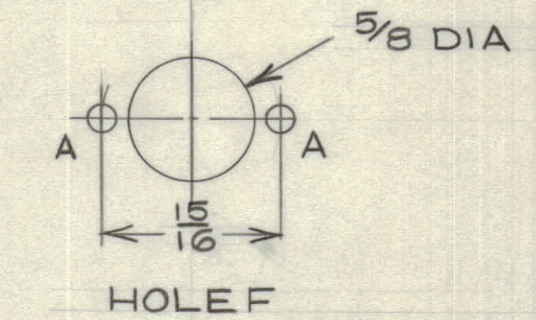
MAXIMUM ALLOWABLE TOLERANCES HAVE BEEN DETERMINED AND DEVIATIONS WILL BE CAUSE FOR REJECTION. REMOVE ALL BURRS AND SHARP EDGES

NOTICE TO PERSONS RECEIVING THIS DRAWING

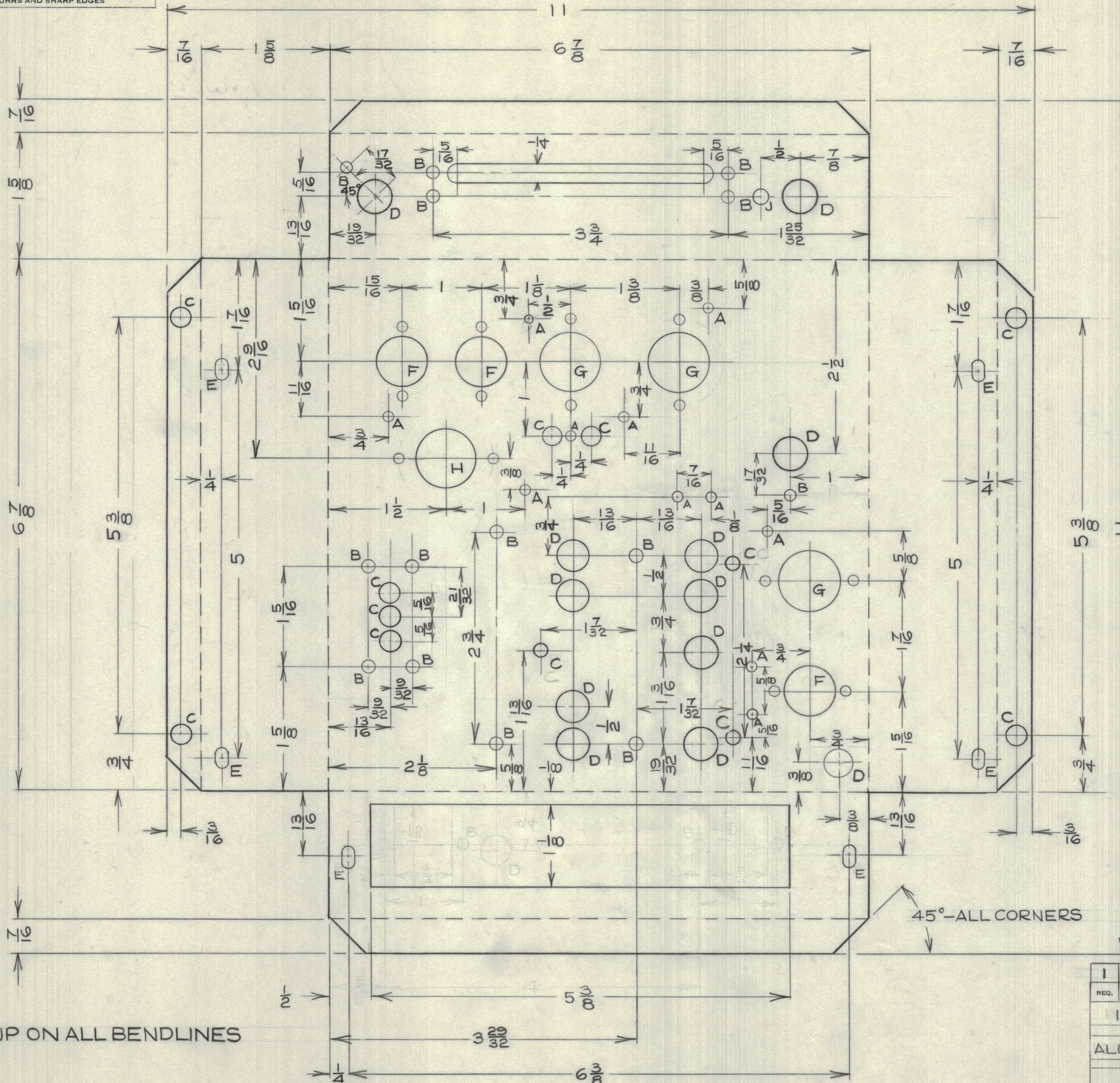
THE TECHNICAL MATERIEL CORPORATION claims proprietary right in the material disclosed hereon. This drawing is issued in confidence for engineering information only and may not be reproduced or used to manufacture anything shown hereon without permission from THE TECHNICAL MATERIEL CORPORATION to the user. This drawing is loaned for mutual assistance and is subject to recall at any time.

Property of:
THE TECHNICAL MATERIEL CORPORATION
MAMARONECK, NEW YORK

- HOLE A - $\frac{1}{8}$ DIA
- HOLE B - $\frac{9}{64}$ DIA
- HOLE C - $\frac{1}{4}$ DIA
- HOLE D - $\frac{3}{8}$ DIA
- HOLE E - SLOT $\frac{9}{64} \times \frac{9}{32}$
- HOLE J - $\frac{3}{16}$ DIA



MS10301



BEND UP ON ALL BENDLINES

ISSUE	ITEM	CHANGED FROM	DATE	CN. NO.	DRAFTS	CHECKER	ENG. APP.
TOLERANCES							
SCALE: 1:1				DRILL, PUNCH, COMMERCIAL STOCK SIZES AND MANUFACTURERS TOLERANCES ARE NOT INCLUDED.			
ALL OTHERS	DEC. DIM. \pm FRAC. DIM. \pm 1/64		ANGULAR DIM. \pm				

TIS II	A10250	MAR 13/59
MODEL	PROJECT NO.	ASS'Y. No.
USED ON		

REQ.	ITEM	PART NO.	DESCRIPTION	SYMBOL
1	14 GA		TMC (Canada) LIMITED	
			OTTAWA ONTARIO	
	ALUMINUM		CHASSIS	
			TTU II	
			DCM	
			DRAWN	
			CHECKED	
			MECH. DES. APP.	
			FINAL APPROVAL	
			ETCH & IRIDITE	
			FINISH & SPEC. NO.	

MS10301