

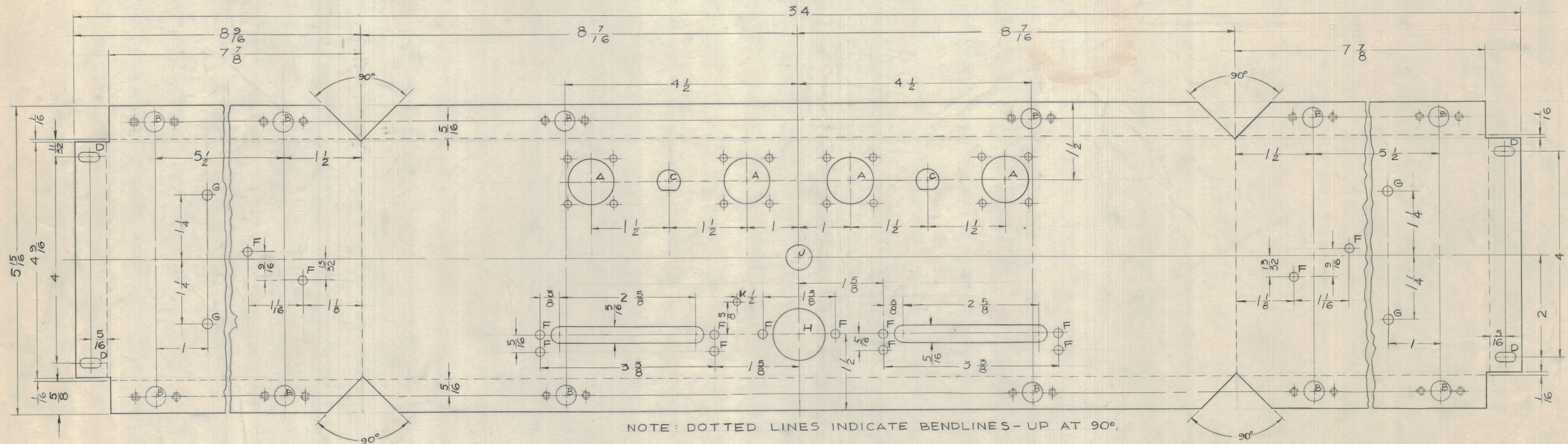
IF IT IS FOUND DESIRABLE TO CHANGE ANY TOLERANCE OR OTHER DETAIL SPECIFIED ON THIS DRAWING NOTIFY THE PURCHASER PROMPTLY.

MAXIMUM ALLOWABLE TOLERANCES HAVE BEEN DETERMINED AND DEVIATIONS WILL BE CAUSE FOR REJECTION. REMOVE ALL BURRS AND SHARP EDGES.

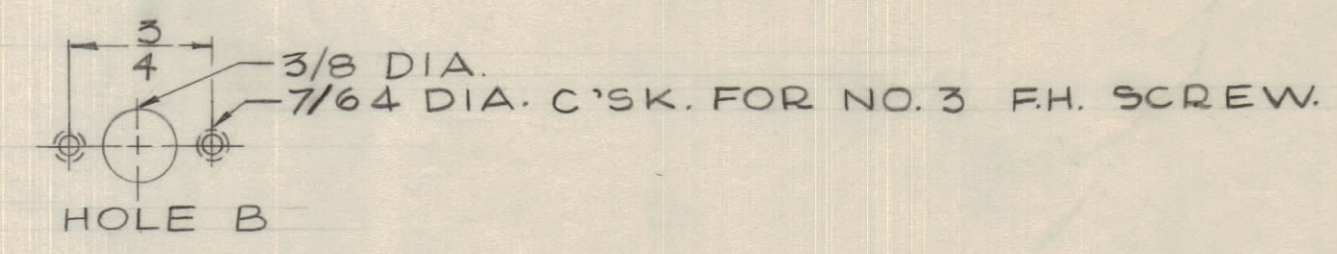
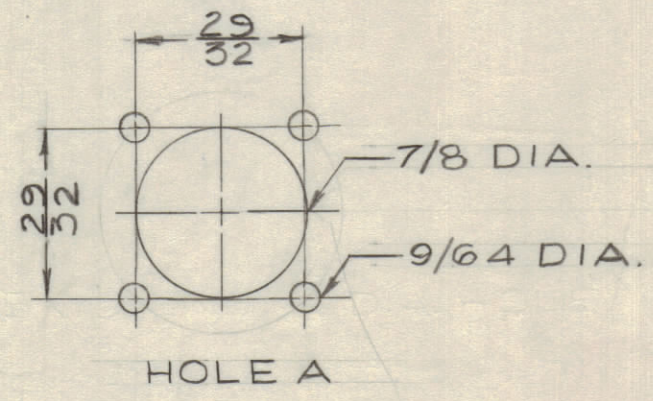
NOTICE TO PERSONS RECEIVING THIS DRAWING

THE TECHNICAL MATERIEL CORPORATION claims proprietary right in the material disclosed herein. This drawing is issued in confidence for engineering information only and may not be reproduced or used to manufacture anything shown herein without permission from THE TECHNICAL MATERIEL CORPORATION to the user. This drawing is loaned for mutual assistance and is subject to recall at any time.

Property of:
THE TECHNICAL MATERIEL CORPORATION
MAMARONECK, NEW YORK



- HOLE C " 7/16 DIA. D HOLE.
- HOLE " " " " SLOT - 13/64 X 13/32
- HOLE " " " " 11/64 DIA.
- HOLE " " " " 3/16 DIA.
- HOLE " " " " 1/2 DIA.
- HOLE " " " " 9/64 DIA.



MS10348

ISSUE	ITEM	CHANGED FROM	DATE	CN. NO.	DRAFTS	CHECKER	ENG. APP.
TOLERANCES							
SCALE: 1:1							
DRILL, PUNCH, COMMERCIAL STOCK SIZES AND MANUFACTURERS TOLERANCES ARE NOT INCLUDED.							

CTRD-2 P 5002 AUG. 19/59

REQ. ITEM	PART NO.	DESCRIPTION	SYMBOL
14 GA.		TMC (Canada) LIMITED	
STOCK SIZE		OTTAWA ONTARIO	
ALUM.		CHASSIS FOR CTRD-2	
MATERIAL	WEIGHT PER PC.		
TYPE & TEMPER	JPC		
DRAWN	JPC		
ELEC. DES. APP.			
MECH. DES. APP.			
HEAT TREAT. SPEC.			
CHECKED			
FINISH & SPEC. NO.			