

IF IT IS FOUND DESIRABLE TO CHANGE ANY TOLERANCE OR OTHER DETAIL SPECIFIED ON THIS DRAWING NOTIFY THE PURCHASER PROMPTLY.

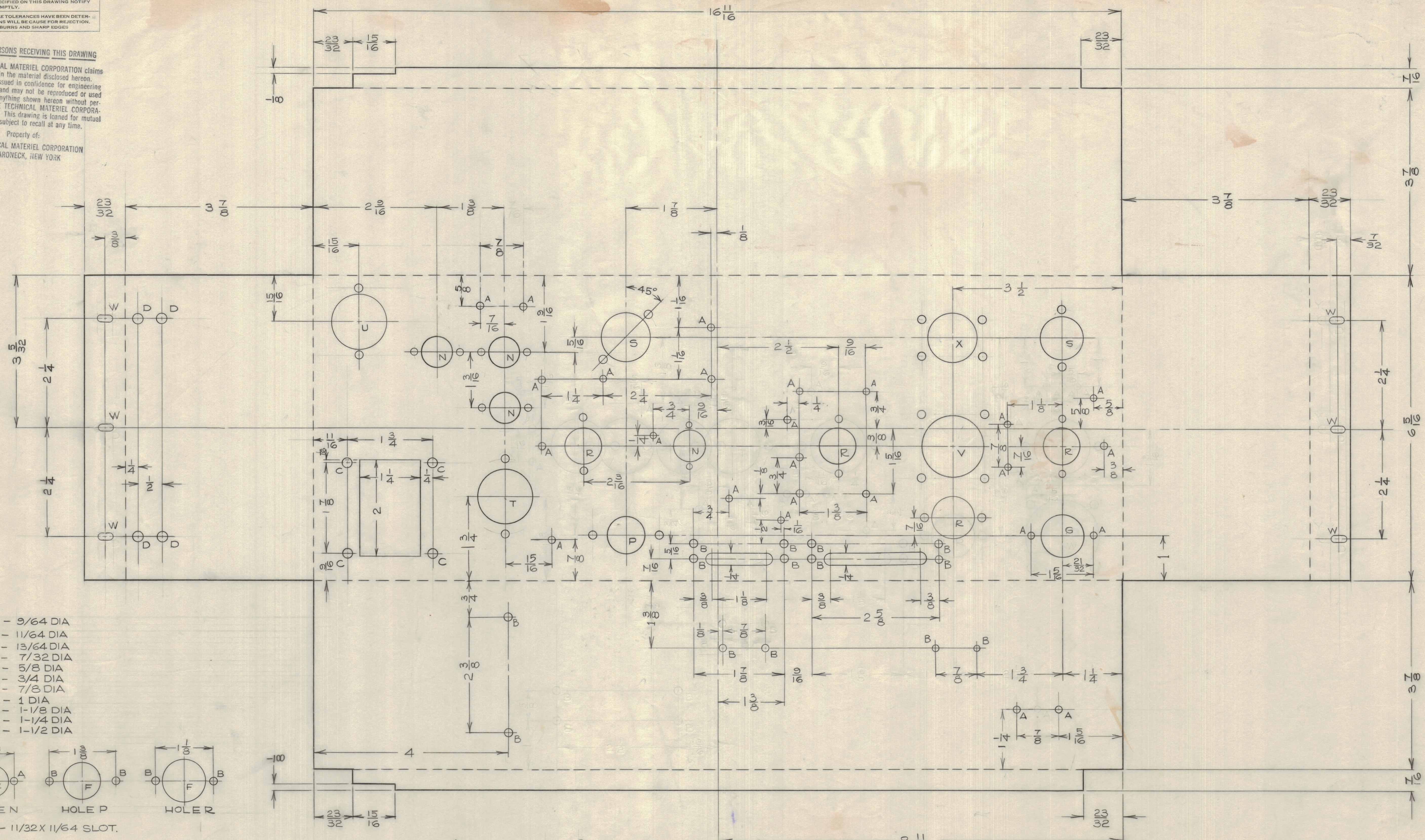
MAXIMUM ALLOWABLE TOLERANCES HAVE BEEN DETERMINED AND DEVIATIONS WILL BE CAUSE FOR REJECTION. REMOVE ALL BURRS AND SHARP EDGES.

**NOTICE TO PERSONS RECEIVING THIS DRAWING**

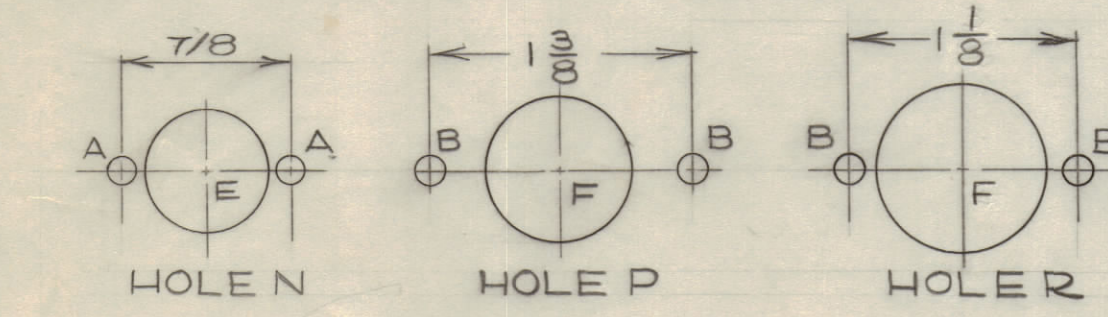
THE TECHNICAL MATERIEL CORPORATION claims proprietary right in the material disclosed herein. This drawing is issued in confidence for engineering information only and may not be reproduced or used to manufacture anything shown hereon without permission from THE TECHNICAL MATERIEL CORPORATION to the user. This drawing is loaned for mutual assistance and is subject to recall at any time.

Property of:

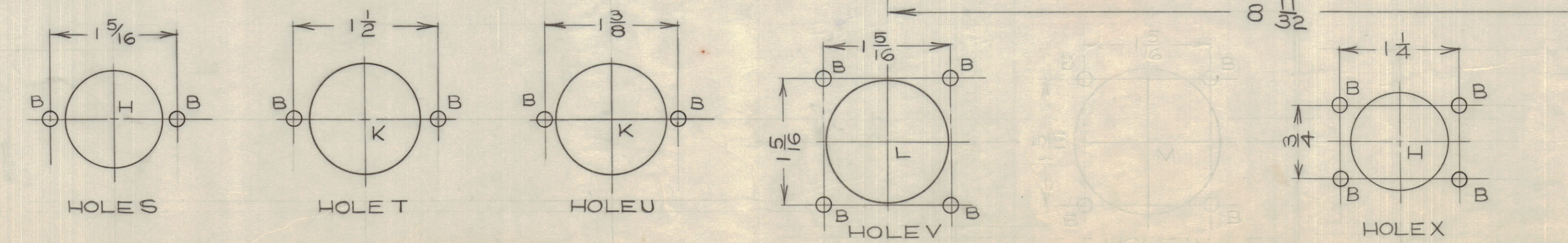
THE TECHNICAL MATERIEL CORPORATION  
MAMARONECK, NEW YORK



- HOLE A - 9/64 DIA
- HOLE B - 11/64 DIA
- HOLE C - 13/64 DIA
- HOLE D - 7/32 DIA
- HOLE E - 5/8 DIA
- HOLE F - 3/4 DIA
- HOLE G - 7/8 DIA
- HOLE H - 1 DIA
- HOLE K - 1-1/8 DIA
- HOLE L - 1-1/4 DIA
- HOLE M - 1-1/2 DIA



HOLE W - 11/32 X 11/64 SLOT.



BEND UP ON ALL BENDLINES

BEND UP ON ALL DOTTED LINES.

REF: LD10077

ISSUE	ITEM	CHANGED FROM	DATE	CHK. NO.	DRAFTS	CHECKER	ENG. APP.
TOLERANCES							
SCALE: NTS							
DRILL, PUNCH, COMMERCIAL STOCK SIZES AND MANUFACTURERS TOLERANCES ARE NOT INCLUDED.							

PCA-2 CE 5010 AUG 7/59

REQ. ITEM	PART NO.	DESCRIPTION	SYMBOL
14GA. SH.		TMC (Canada) LIMITED	
STOCK SIZE		OTTAWA ONTARIO	
ALUM.		CHASSIS	
MATERIAL		PCA-2	
WEIGHT PER PC.			
TYPE & TEMPER	DCM		
DRAWN		ELEC. DES. APP.	
CHECKED		MECH. DES. APP.	
HEAT TREAT. SPEC.		FINAL APPROVAL	
S101 # S404			
FINISH & SPEC. NO.			MS10355

MS10355