

IF IT IS FOUND DESIRABLE TO CHANGE ANY TOLERANCE OR OTHER DETAIL SPECIFIED ON THIS DRAWING NOTIFY THE PURCHASER PROMPTLY.

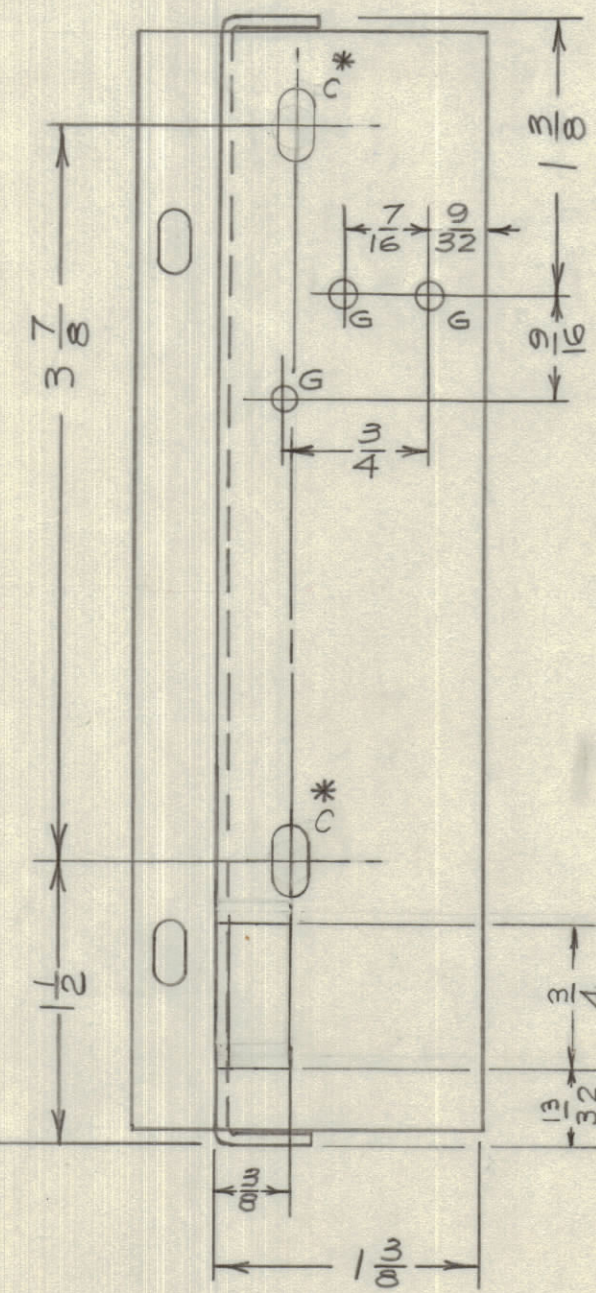
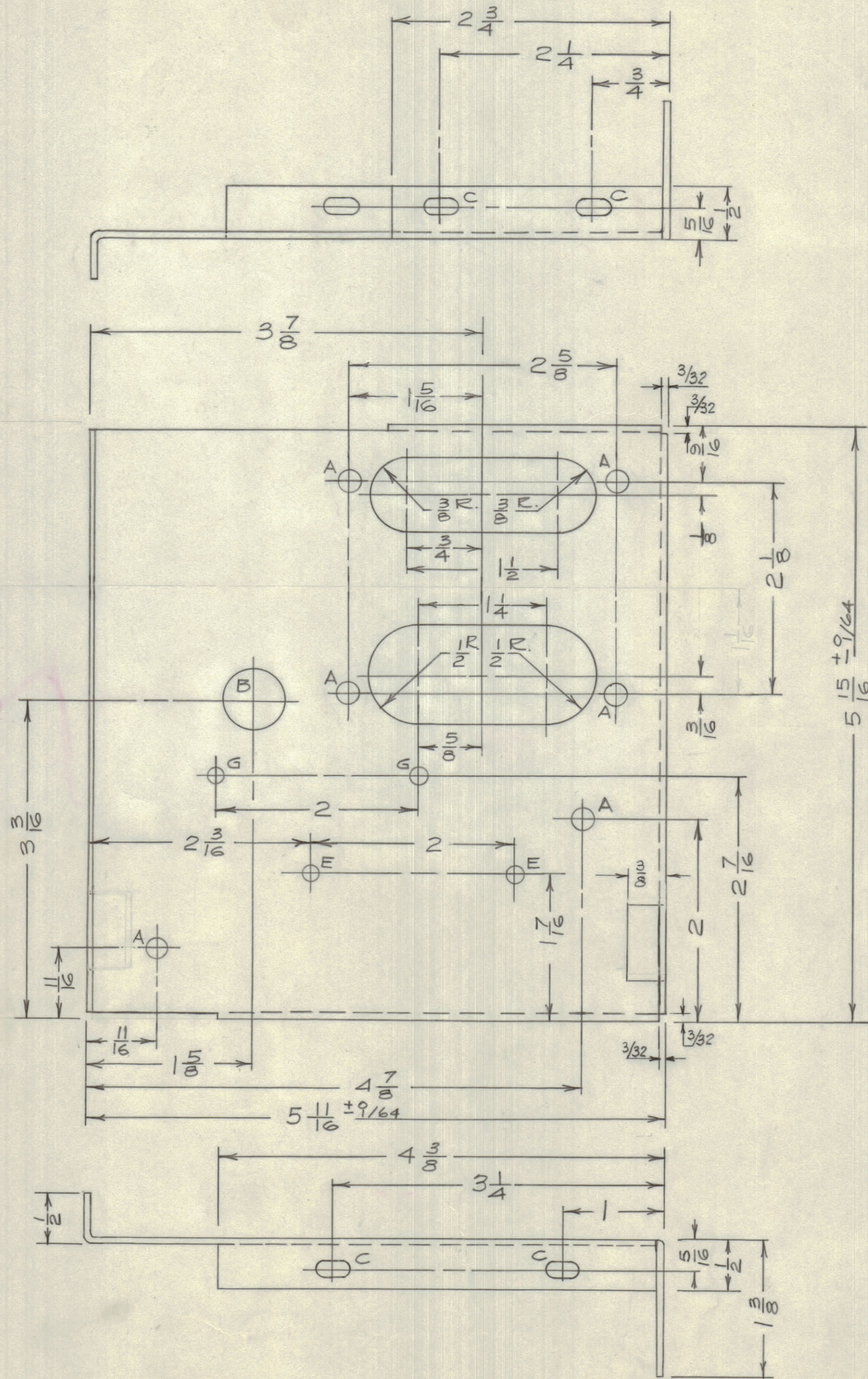
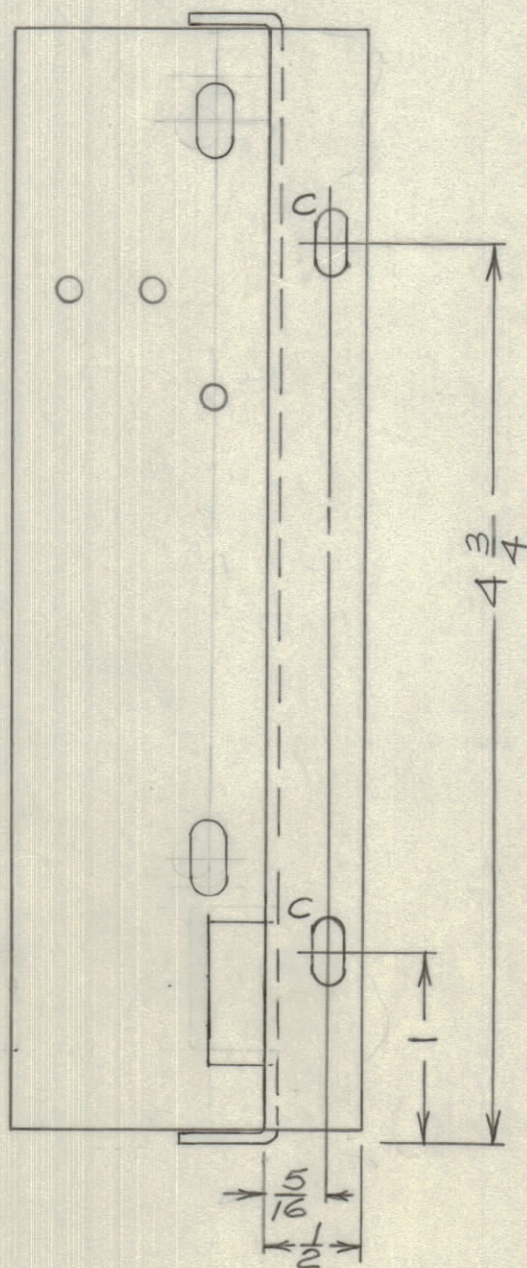
MAXIMUM ALLOWABLE TOLERANCES HAVE BEEN DETERMINED AND DEVIATIONS WILL BE CAUSE FOR REJECTION. REMOVE ALL BURRS AND SHARP EDGES

NOTICE TO PERSONS RECEIVING THIS DRAWING

THE TECHNICAL MATERIEL CORPORATION claims proprietary right in the material disclosed hereon. This drawing is issued in confidence for engineering information only and may not be reproduced or used to manufacture anything shown hereon without permission from THE TECHNICAL MATERIEL CORPORATION to the user. This drawing is loaned for mutual assistance and is subject to recall at any time.

Property of:
THE TECHNICAL MATERIEL CORPORATION
MAMARONECK, NEW YORK

- A - $7/32$ (.218) D.
- B - $5/8$ (.625) D.
- C - $1/64 \times 1/32$ SLOT.
- E - $1/64$ (.171) D.
- F - $3/32$ (.281) D.
- G - $3/64$ (.140) D.



REF: LD10093 A

B	5	CORNER RELIEF $3/32$ ADDED	23	WHD	<i>[Signature]</i>	KA	
	4	SQUARE CUTOFF $3/4 \times 3/4$ ADDED	FEB. 1961				
A	3	SLOTS $1/64 \times 1/32$ ON FLANGE WERE F HOLES.	1961	JPC	<i>[Signature]</i>	KA	
	2	F HOLES DELETED					
ISSUE	ITEM	CHANGED FROM	DATE	CN. NO.	DRAFTS	CHECKER	ENG. APP.
TOLERANCES			SCALE: 1:1				
ALL OTHERS	DEC. DIM. \pm FRAC. DIM. \pm ANGULAR DIM. \pm		DRILL, PUNCH, COMMERCIAL STOCK SIZES AND MANUFACTURERS TOLERANCES ARE NOT INCLUDED.				

RFA-1	PROJECT No.	ASS'Y. No.	DATE
			15/9/60
USED ON			

REQ.	ITEM	PART No.	DESCRIPTION	SYMBOL
		.064 TK.	TMC (Canada) LIMITED	
		STOCK SIZE	OTTAWA ONTARIO	
		ALUM.	CHASSIS, FILAMENT	
		MATERIAL	TRANSFORMER	
		5052-H32	JPC	
		TYPE & TEMPER	DRAWN	
			ELEC. DES. APP.	
			MECH. DES. APP.	
			CHECKED	
			FINAL APPROVAL	
			MS10399	B

MS10399 B