

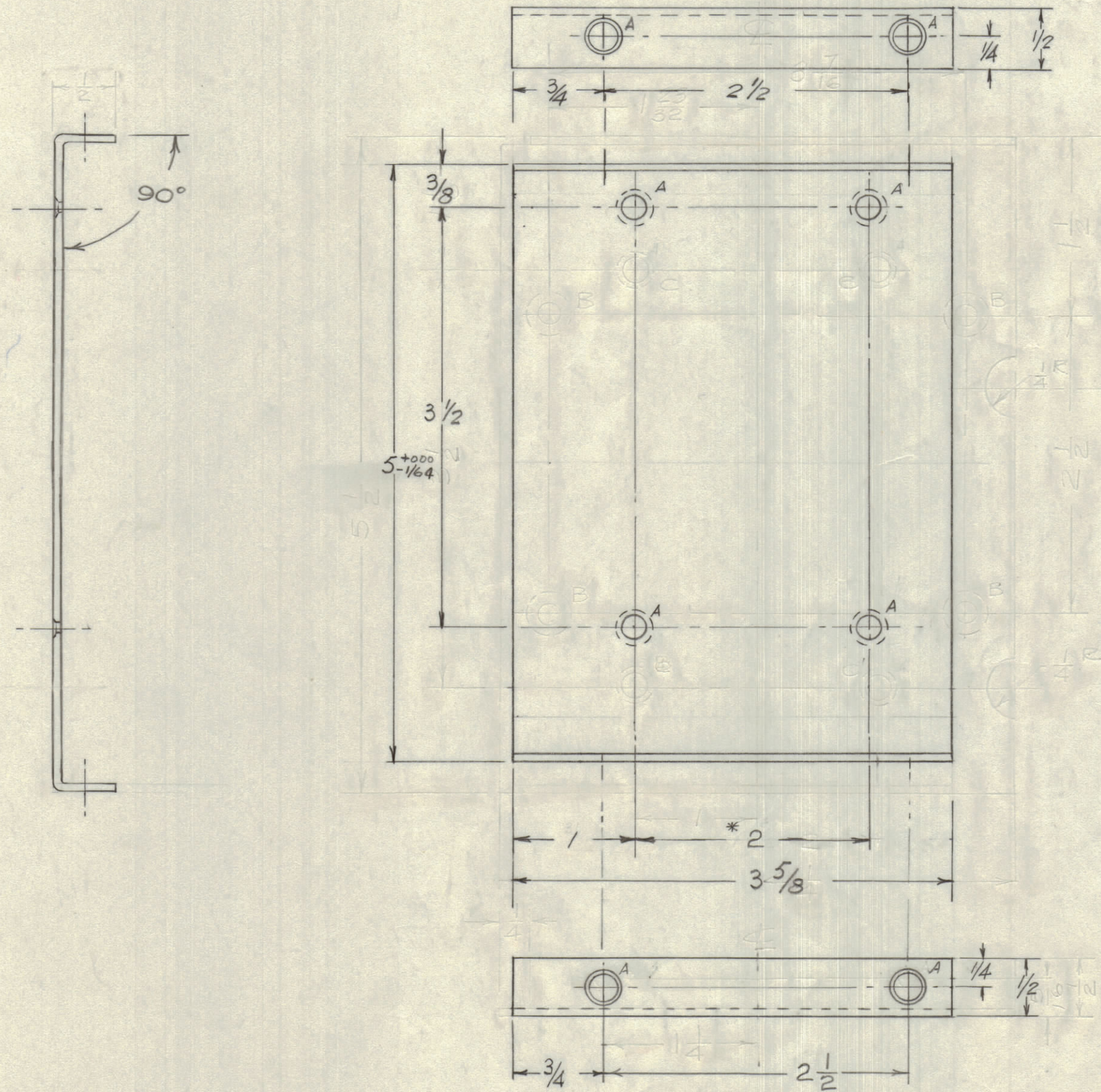
IF IT IS FOUND DESIRABLE TO CHANGE ANY TOLERANCE OR OTHER DETAIL SPECIFIED ON THIS DRAWING NOTIFY THE PURCHASER PROMPTLY.

MAXIMUM ALLOWABLE TOLERANCES HAVE BEEN DETERMINED AND DEVIATIONS WILL BE CAUSE FOR REJECTION. REMOVE ALL BURRS AND SHARP EDGES

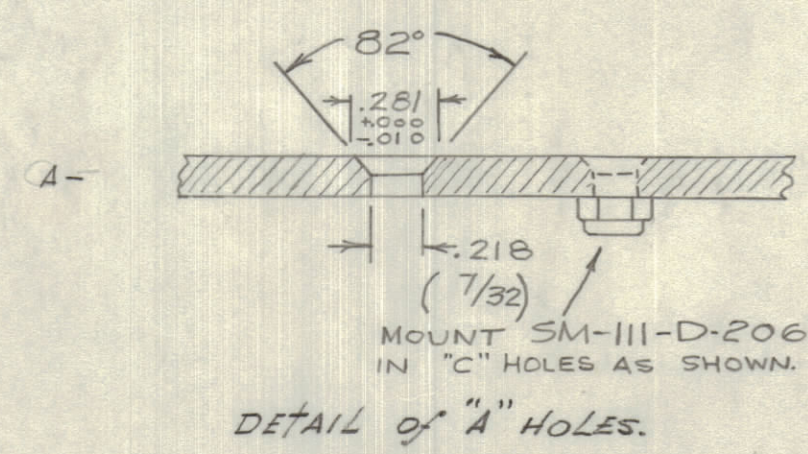
NOTICE TO PERSONS RECEIVING THIS DRAWING

THE TECHNICAL MATERIEL CORPORATION claims proprietary right in the material disclosed herein. This drawing is issued in confidence for engineering information only and may not be re-produced or used to manufacture anything shown herein without permission from THE TECHNICAL MATERIEL CORPORATION to the user. This drawing is loaned for mutual assistance and is subject to recall at any time.

Property of:
THE TECHNICAL MATERIEL CORPORATION
MAMARONECK, NEW YORK



A- $\frac{1}{4}$ (17) D



DETAIL of "A" HOLES.

MS10409 D

D	* 2 WAS 1-15/16	MARCH 23/61	JPC		
C	IN TITLE BLOCK "BASE PLATE COIL & SWITCH ASSY A-10298 WAS "BASE TRANSFORMER MTS PA. BAND SWITCH	FEB 1961	WHD	SE	KH
B	2 BRACKET REDESIGNED	16 JAN 61	WHD		
A	1 MS10409 WAS MS1247B	8/22/60	JPC	KH	KH
ISSUE	ITEM	CHANGED FROM	DATE	CN. NO.	DRAFTS CHECKER ENG. APP.
TOLERANCES		SCALE: 1:1			
ALL OTHERS	DEC. DIM. \pm FRAC. DIM. \pm 1/64 ANGULAR DIM. \pm	DRILL, PUNCH, COMMERCIAL STOCK SIZES AND MANUFACTURERS TOLERANCES ARE NOT INCLUDED.			

RFA-130	CE 1095	8/22/60
MODEL	PROJECT No.	ASS'Y. No. DATE
USED ON		

REQ. ITEM	PART No.	DESCRIPTION	SYMBOL
.064 TK		TMC (Canada) LIMITED	
STOCK SIZE		OTTAWA ONTARIO	
ALUM.		BASE BASE PLATE	
MATERIAL	WEIGHT PER PC.	COIL & SWITCH ASSY A-10298	
5052-H32		JPC	
TYPE & TEMPER		DRAWN	ELEC. DES. APP. MECH. DES. APP.
		CHECKED	FINAL APPROVAL
HEAT TREAT. SPEC.			
S101 CAUSTIC DIP			
S404 IRIDITE			
FINISH & SPEC. No.			MS10409 D