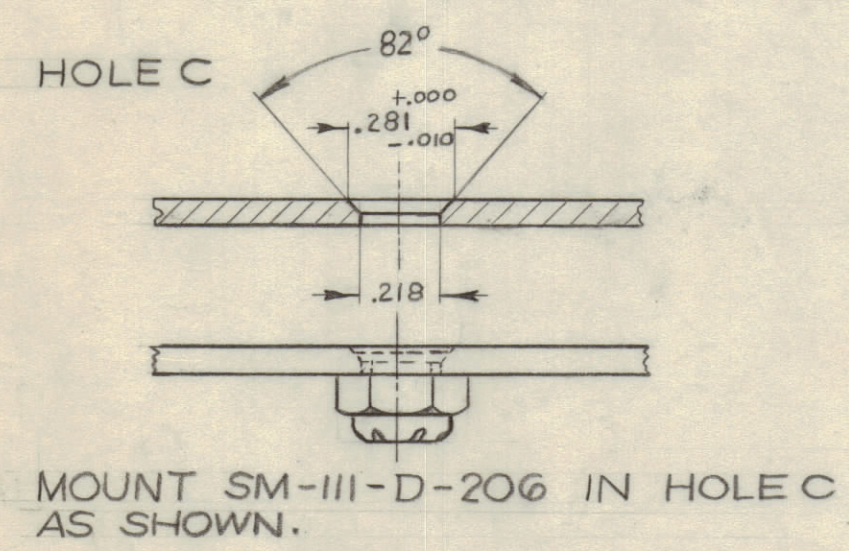
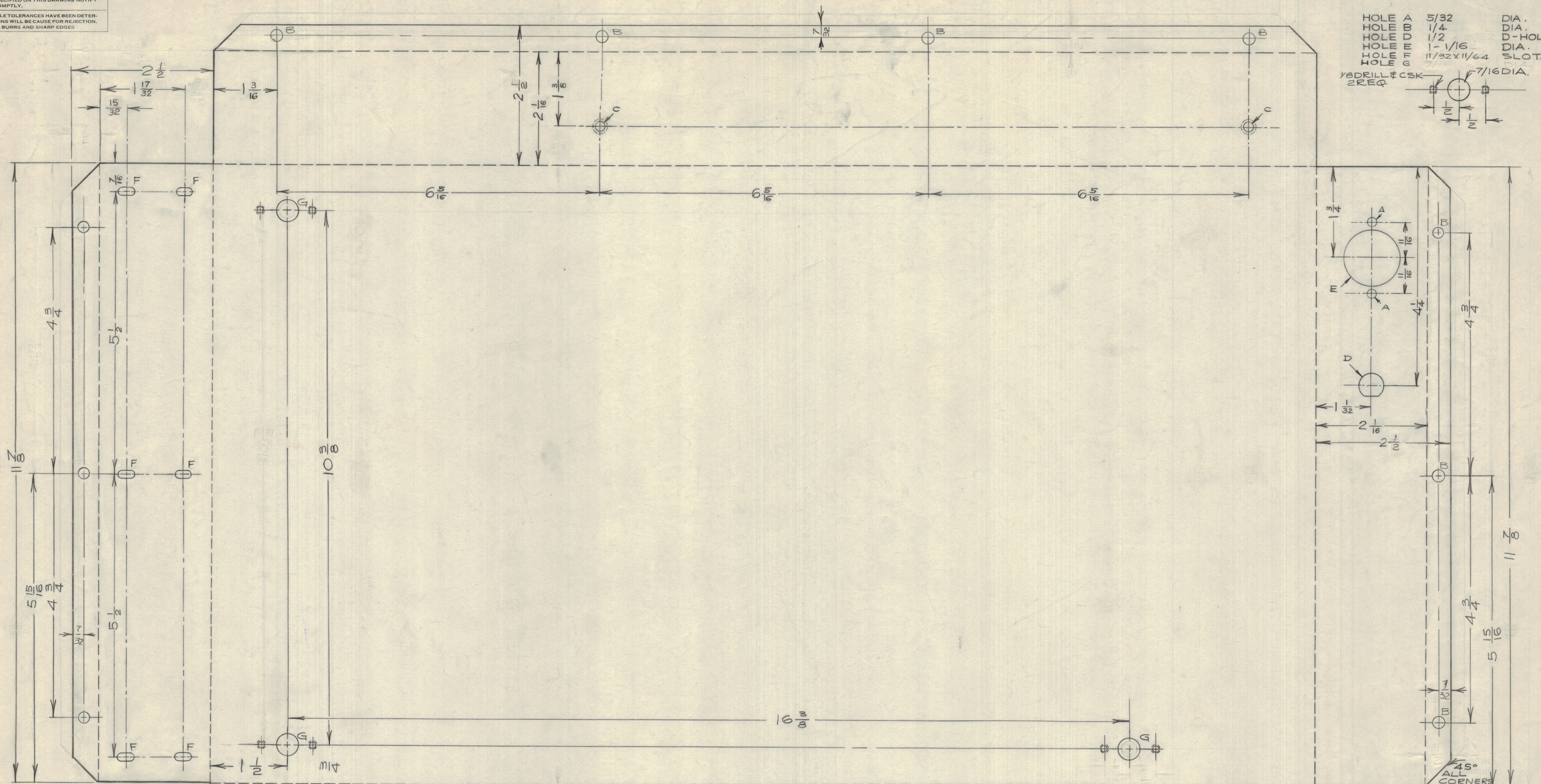


IF IT IS FOUND DESIRABLE TO CHANGE ANY TOLERANCE OR OTHER DETAIL SPECIFIED ON THIS DRAWING NOTIFY THE PURCHASER PROMPTLY.
 MAXIMUM ALLOWABLE TOLERANCES HAVE BEEN DETERMINED AND DEVIATIONS WILL BE CAUSE FOR REJECTION. REMOVE ALL BURRS AND SHARP EDGES

HOLE A 5/32 DIA.
 HOLE B 1/4 DIA.
 HOLE D 1/2 DIA.
 HOLE E 1-1/16 DIA.
 HOLE F 11/32 X 11/64 DIA.
 HOLE G 7/16 DIA.
 1/8 DRILL # CSK 2 REQ.



NOTICE TO PERSONS RECEIVING THIS DRAWING
 THE TECHNICAL MATERIEL CORPORATION claims proprietary right in the material disclosed hereon. This drawing is issued in confidence for engineering information only and may not be reproduced or used to manufacture anything shown hereon without permission from THE TECHNICAL MATERIEL CORPORATION to the user. This drawing is loaned for mutual assistance and is subject to recall at any time.
 Property of:
 THE TECHNICAL MATERIEL CORPORATION
 MAMARONECK, NEW YORK

ISSUE	ITEM	CHANGED FROM	DATE	CN. NO.	DRAFTS	CHECKER	ENG. APP.
TOLERANCES							
ALL DEC. DIM. ± 1/64				SCALE: NTS			
OTHERS FRACTIONAL DIM. ± 1/64				DRILL, PUNCH, COMMERCIAL STOCK SIZES AND MANUFACTURERS TOLERANCES ARE NOT INCLUDED.			

BEND UP ON ALL DOTTED LINES

CATU-1K CE 5008 MARCH 1/1960

REQ. ITEM	PART NO.	DESCRIPTION	SYMBOL
.064		CHASSIS	
ALUMINUM		TMC (Canada) LIMITED OTTAWA ONTARIO	
		CHASSIS	
TYPE & TEMPER	M.K.	DRAWN	R.W. HARRIS
HEAT TREAT. SPEC.		ELEC. DES. APP.	
ETCH & IRIDITE		CHECKED	
FINISH & SPEC. NO.		FINAL APPROVAL	MS-10432

MS-10432