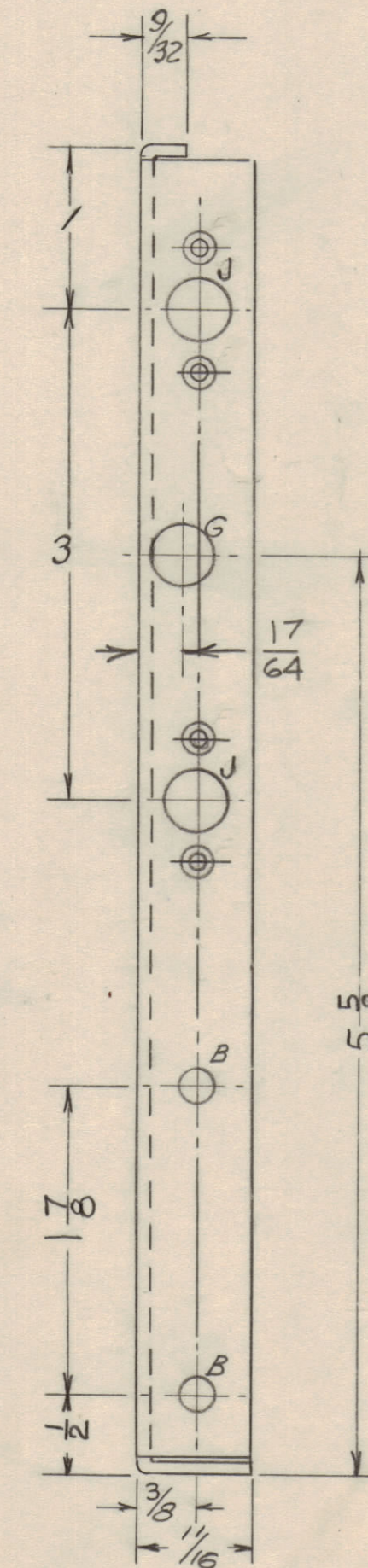
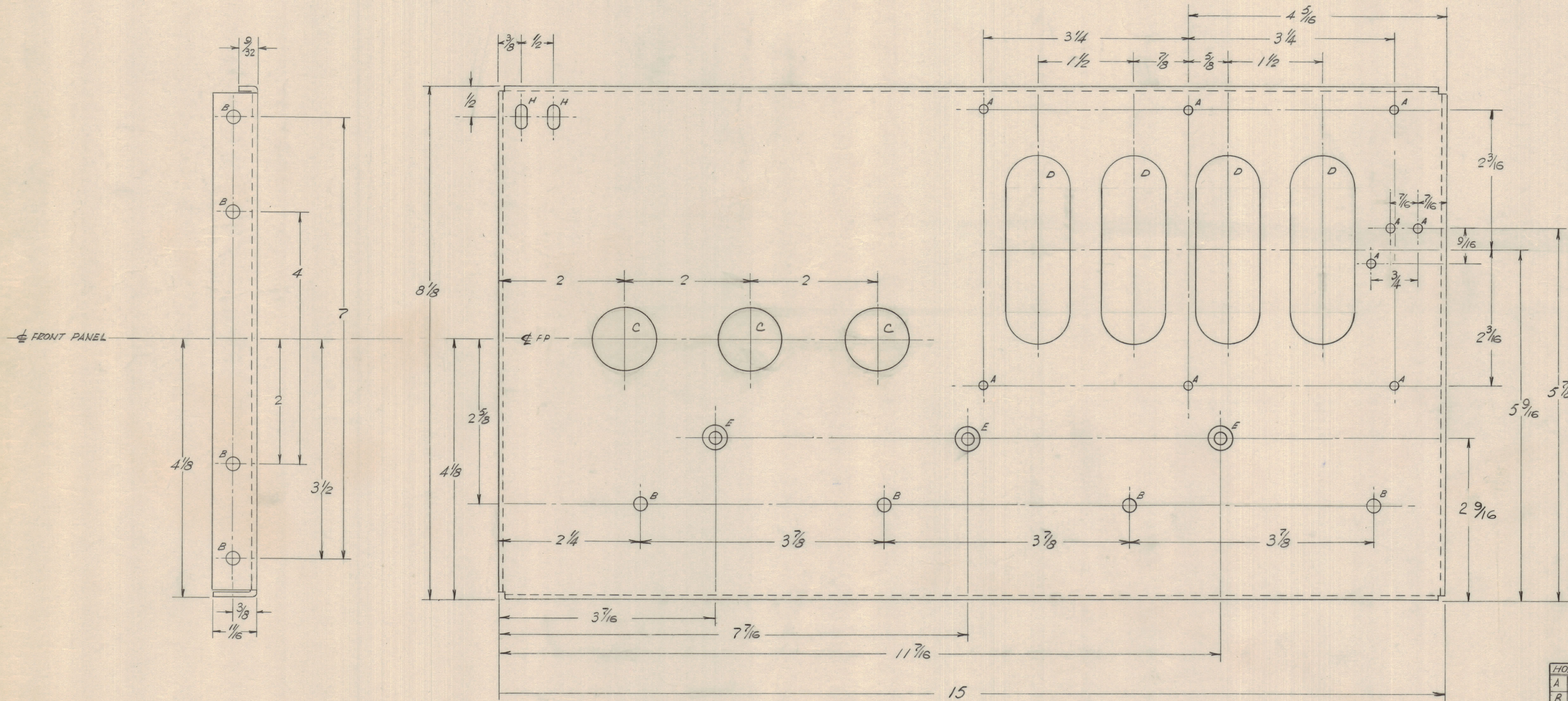
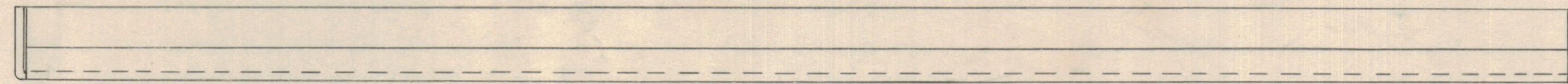


IF IT IS FOUND DESIRABLE TO CHANGE ANY TOLERANCE OR OTHER DETAIL SPECIFIED ON THIS DRAWING NOTIFY THE PURCHASER PROMPTLY.  
 MAXIMUM ALLOWABLE TOLERANCES HAVE BEEN DETERMINED AND DEVIATIONS WILL BE CAUSE FOR REJECTION. REMOVE ALL BURRS AND SHARP EDGES.

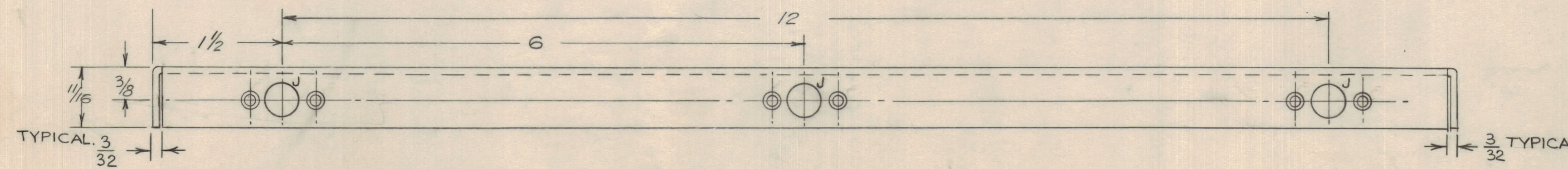
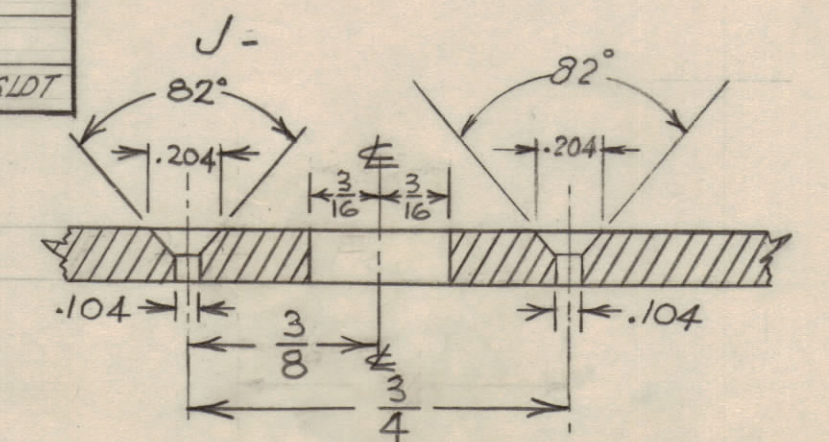
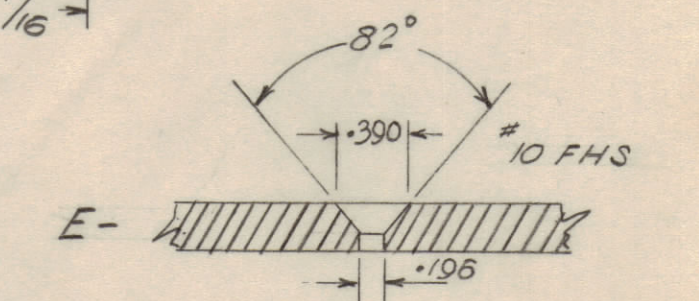
NOTICE TO PERSONS RECEIVING THIS DRAWING

THE TECHNICAL MATERIEL CORPORATION claims proprietary right in the material disclosed hereon. This drawing is issued in confidence for engineering information only and may not be reproduced or used to manufacture anything shown hereon without permission from THE TECHNICAL MATERIEL CORPORATION to the user. This drawing is loaned for mutual assistance and is subject to recall at any time.

Property of:  
 THE TECHNICAL MATERIEL CORPORATION  
 MAMARONECK, NEW YORK



| HOLE & SLOT SIZES |                  |
|-------------------|------------------|
| A                 | 1/8 DIA          |
| B                 | 13/16 + DIA      |
| C                 | 1 DIA            |
| D                 | 1 x 3 SLOT       |
| G                 | 3/8 DIA          |
| H                 | 1/16 x 1/32 SLOT |



REF: LD10145

| ISSUE | ITEM | CHANGED FROM          | DATE      | CN. NO. | DRAFTS | CHECKER | ENG. APP. |
|-------|------|-----------------------|-----------|---------|--------|---------|-----------|
| B     | 1    | D.O. ERRORS CORRECTED | July 1961 | 1       | JPC    |         |           |
| A     | 1    | MS-10500 WAS MS-1225  | 7/26/60   |         | WIND   |         |           |

TOLERANCES: SCALE: 1-1  
 ALL DIM. ± .005  
 DRILL, PUNCH, COMMERCIAL STOCK SIZES AND MANUFACTURERS TOLERANCES ARE NOT INCLUDED.

|         |             |            |
|---------|-------------|------------|
| PSP-350 | PAL-350     | B DEC 1960 |
| MODEL   | PROJECT NO. | DATE       |

| REQ. ITEM | PART NO.                        | DESCRIPTION          | SYMBOL |
|-----------|---------------------------------|----------------------|--------|
|           | -081 TK                         | TMC (Canada) LIMITED |        |
|           |                                 | OTTAWA ONTARIO       |        |
|           | ALUM. ALLOY                     | SIDE PLATE, RIGHT    |        |
|           | MATERIAL                        | PSP-350              |        |
|           | WEIGHT PER PC.                  |                      |        |
|           | TYPE & TEMPER                   |                      |        |
|           | HEAT TREAT. SPEC.               |                      |        |
|           | S101 CAUSTIC DIP & S102 LACQUER |                      |        |
|           | FINISH & SPEC. NO.              |                      |        |

MS-10500 B