

IF IT IS FOUND DESIRABLE TO CHANGE ANY TOLERANCE OR OTHER DETAIL SPECIFIED ON THIS DRAWING NOTIFY THE PURCHASER PROMPTLY.

MAXIMUM ALLOWABLE TOLERANCES HAVE BEEN DETERMINED AND DEVIATIONS WILL BE CAUSE FOR REJECTION. REMOVE ALL BURNS AND SHARP EDGES.

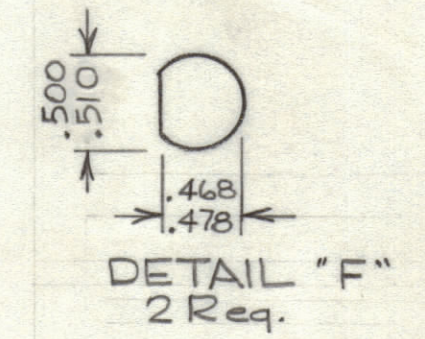
ISSUE ITEM CHANGED FROM DATE CH. NO. DRAFTS CHECKER ENG. APP.

D Redrawn & Revised 12/1/62 JPC

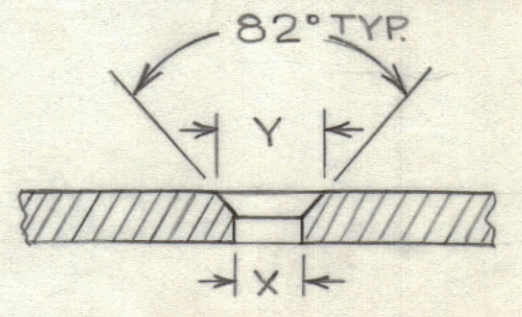
DIMENSIONS IN INCHES UNLESS OTHERWISE SPECIFIED

REQ. ITEM PART NO. DESCRIPTION SYMBOL.

LEGEND		
HOLE	DIMENSION	REQ
A	•0785 DIA.	4
B	•2187 DIA.	4
E	•4844 DIA.	1
G	•6875 DIA.	1
H	1.000 DIA.	3



HOLE	TYPE	X	Y	REQ
C	C'SK FOR 6-32	.144	.250	6
D	C'SK FOR 10-32	.196	.390	11



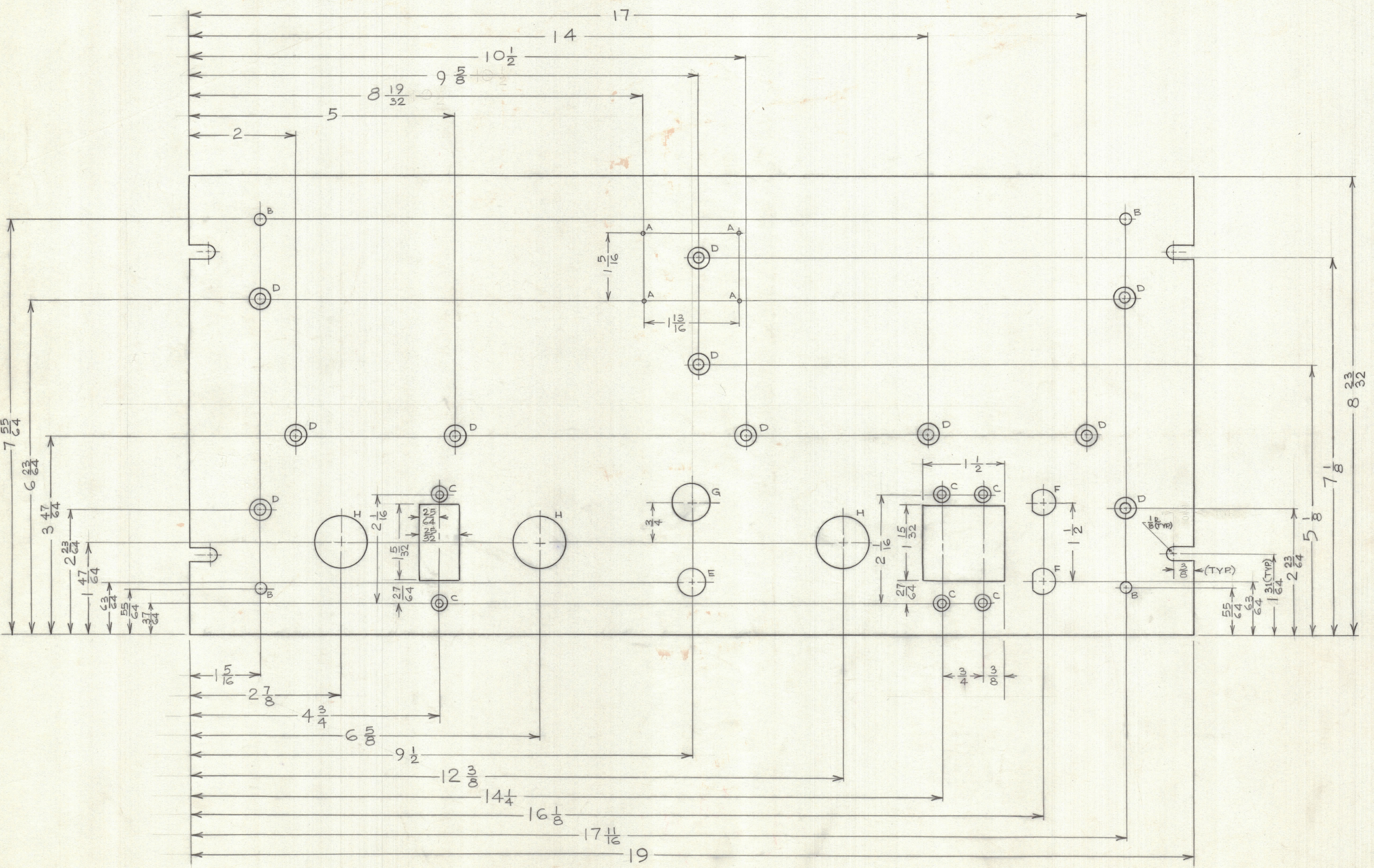
NOTES

- FINISH —
- S404-YELLOW IRIDITE
  - S114-ZINC CHROMATE PRIMER
  - S115-TMC SMOOTH GREY ENAMEL
- FRONT & EDGES ONLY
- PRIME & PAINT TO CUSTOMER SPEC.
- MACHINING —
- LATERAL BOW OF PANEL MUST BE KEPT TO .031 TOL.
  - MILL ALL EDGES.
  - PANEL MUST BE FREE OF ALL MACHINING MARKS, GOUGES & SCRATCHES. IF NECESSARY SAND FRONT OF PANEL WITH NO.120 GRIT SANDPAPER.

NOTICE TO PERSONS RECEIVING THIS DRAWING

THE TECHNICAL MATERIEL CORPORATION claims proprietary right in the material disclosed herein. This drawing is issued in confidence for engineering information only and may not be reproduced or used to manufacture anything shown hereon without permission from THE TECHNICAL MATERIEL CORPORATION to the user. This drawing is loaned for mutual assistance and is subject to recall at any time.

Property of:  
THE TECHNICAL MATERIEL CORPORATION  
MAMARONECK, NEW YORK



REF: LD10141 SHts 1 & 2.

TOLERANCES: DEC. DIM. ± .005, FRAC. DIM. ± 1/64, ANGULAR DIM. ± 1/2°

SCALE: DO NOT SCALE

DRILL, PUNCH, COMMERCIAL STOCK SIZES AND MANUFACTURERS TOLERANCES ARE NOT INCLUDED.

PSP-350 PAL-350 DEC.17/62

MODEL PROJECT NO. ASSY. NO. DATE

3/16 THICK STOCK SIZE	TMC (Canada) LIMITED OTTAWA ONTARIO
ALUMINUM	FRONT PANEL
24 ST3	JPC
TYPE & TEMPER	DR. JPC
HEAT TREAT SPEC	ELEC. DES. APP. MECH. DES. APP.
SEE NOTE	FINISH & SPEC. NO.
	MS-10504 D