

IF IT IS FOUND DESIRABLE TO CHANGE ANY TOLERANCE OR OTHER DETAIL SPECIFIED ON THIS DRAWING NOTIFY THE PURCHASER PROMPTLY.
 MAXIMUM ALLOWABLE TOLERANCES HAVE BEEN DETERMINED AND DEVIATIONS WILL BE CAUSE FOR REJECTION. REMOVE ALL BURRS AND SHARP EDGES

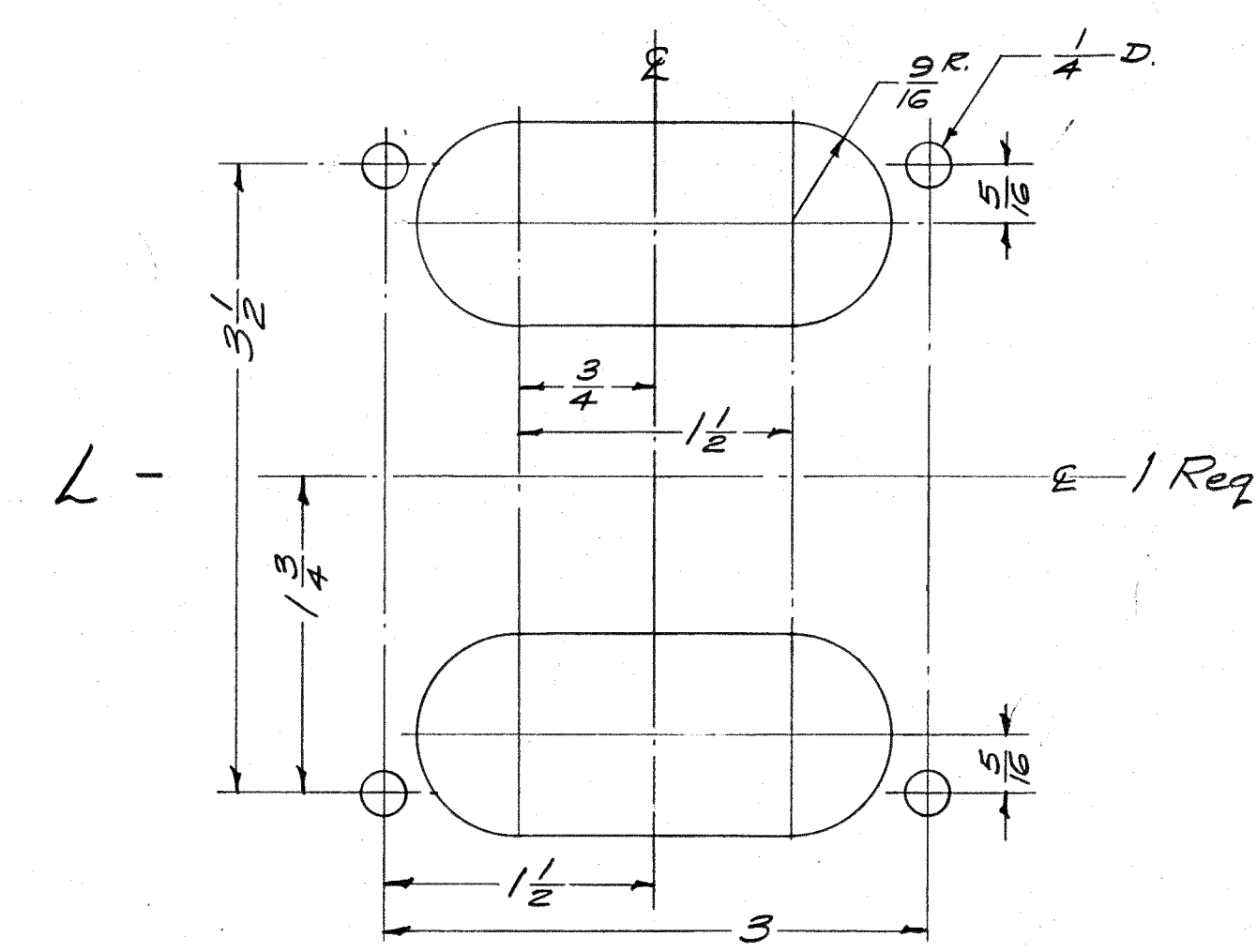
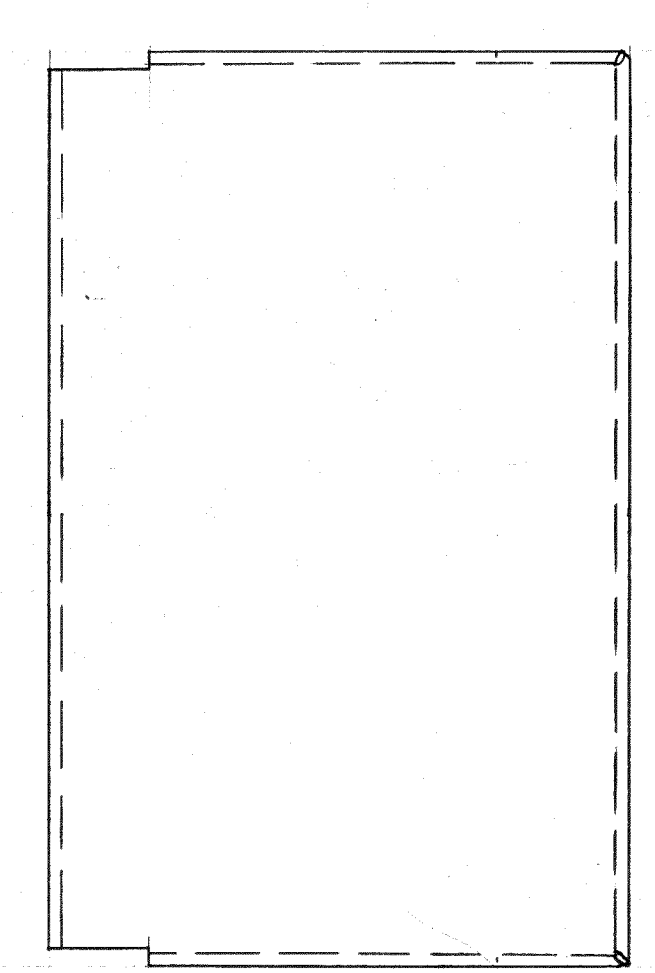
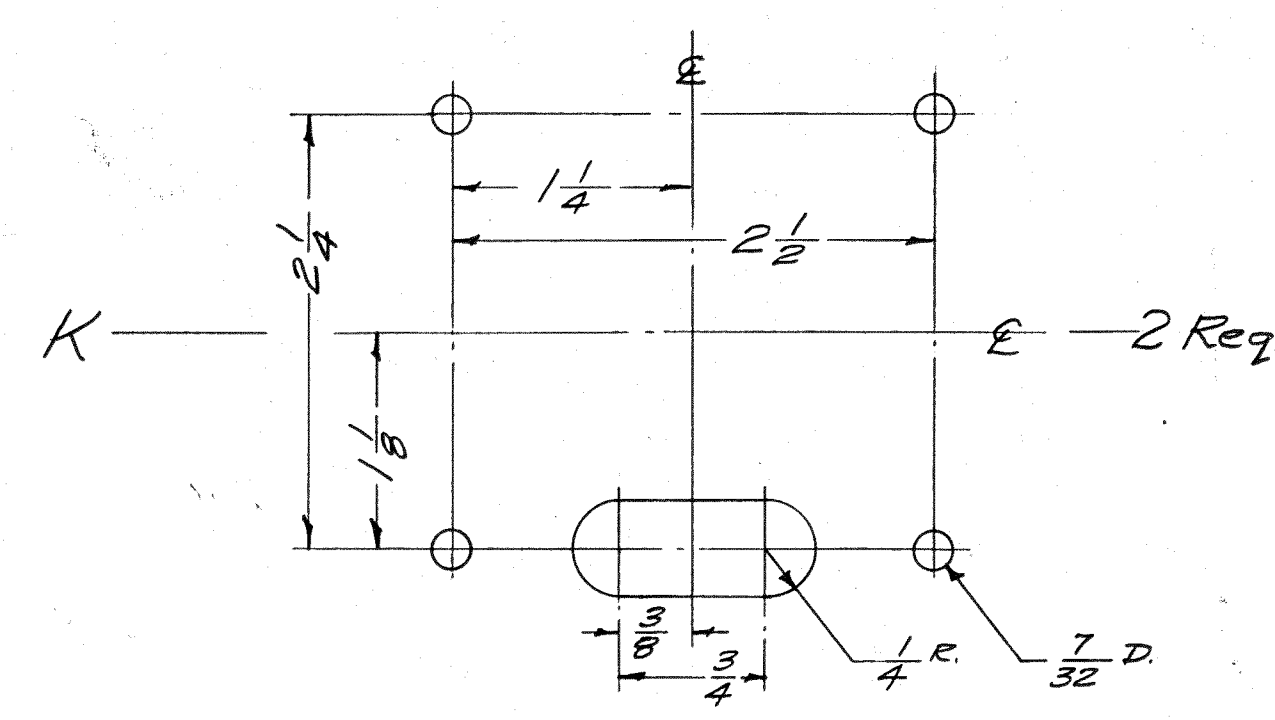
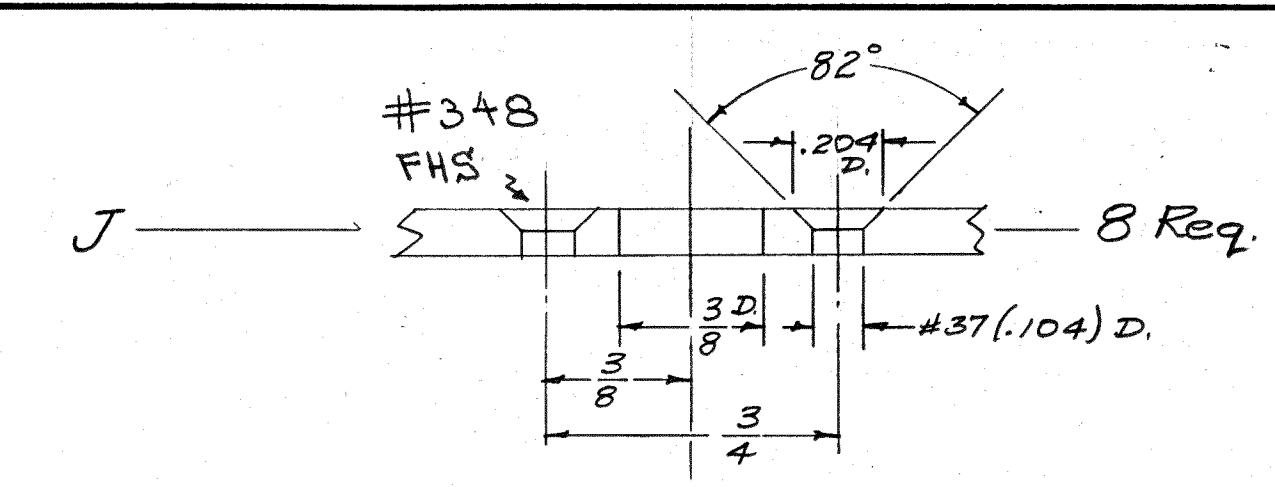
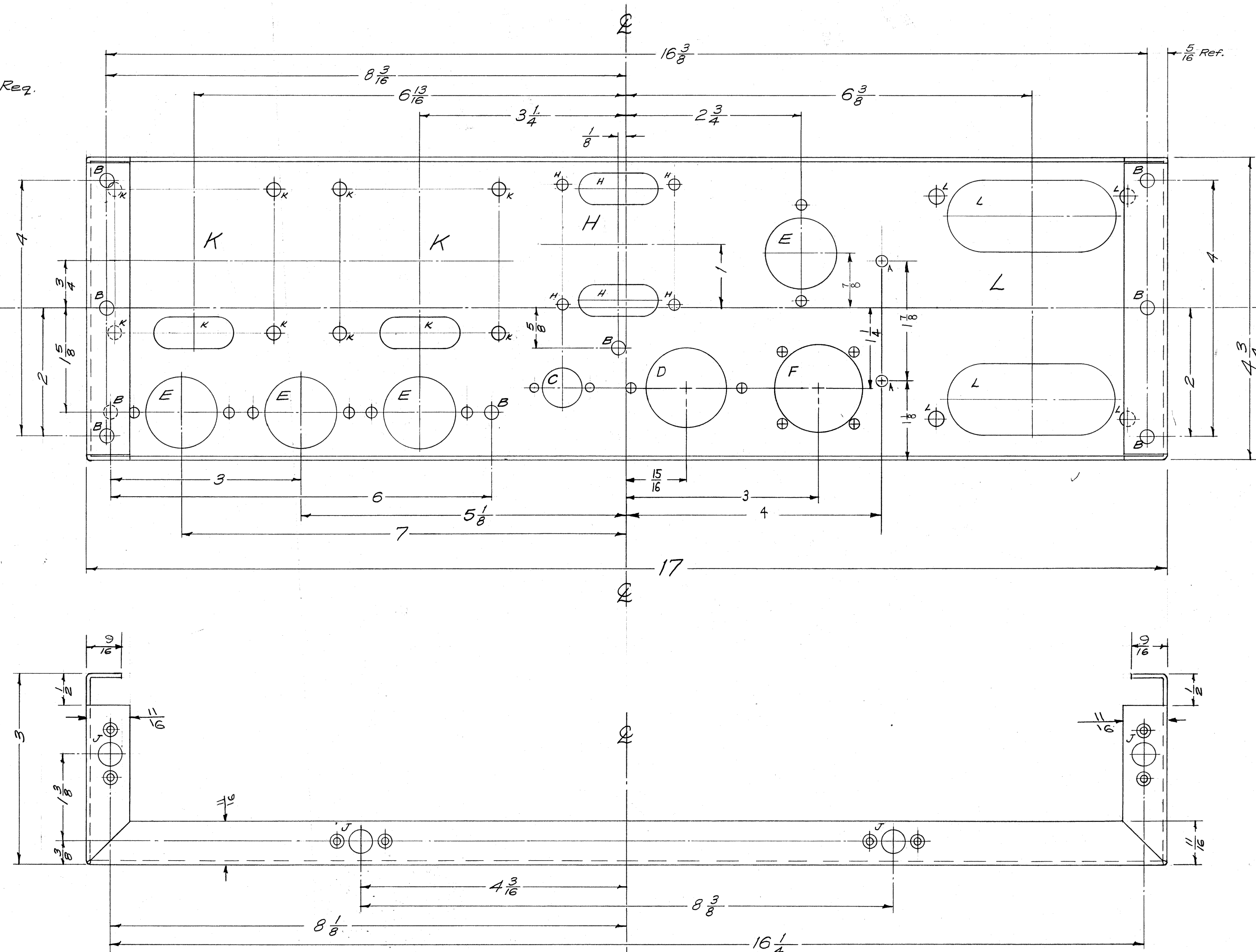
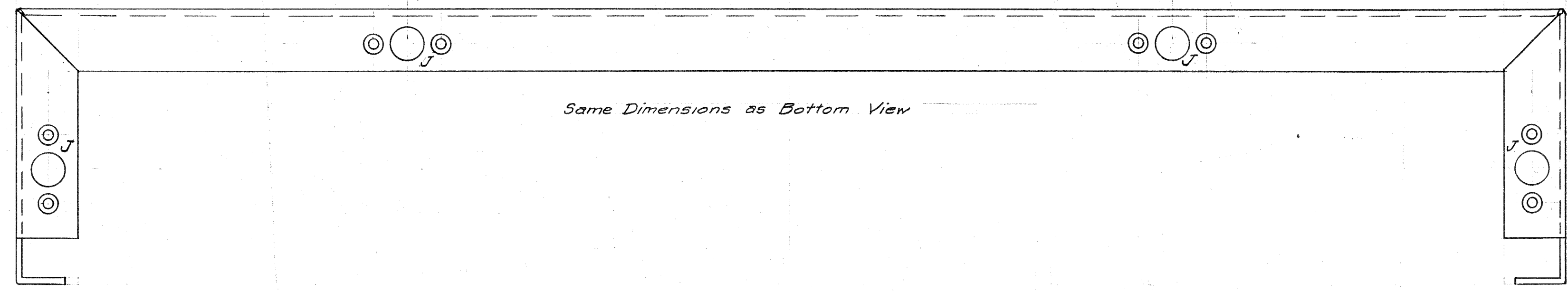
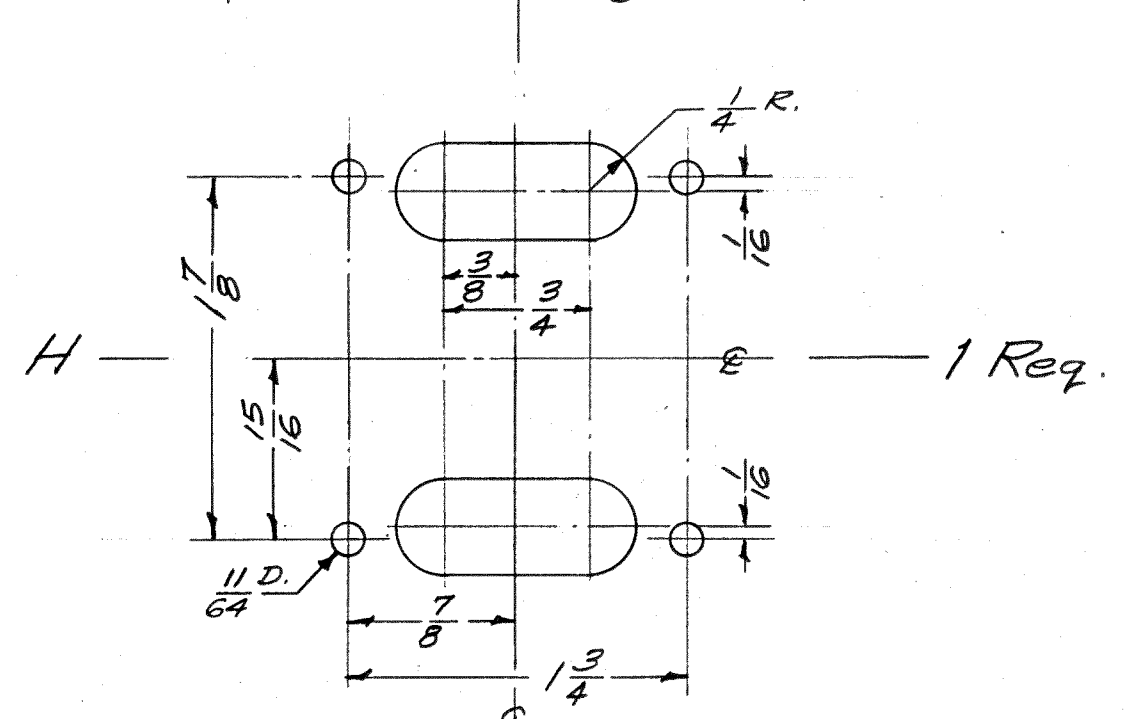
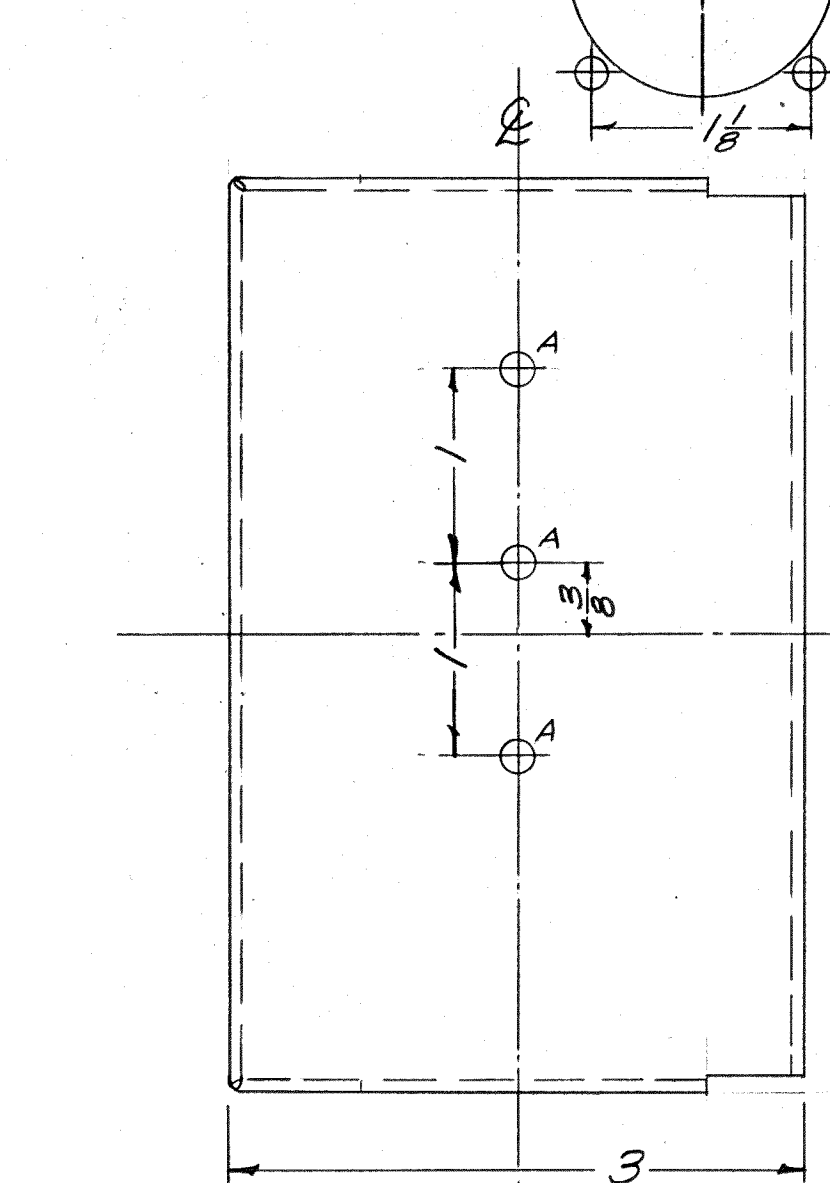
A - $\frac{11}{64}$ (.171) D. 5 Req.
 B - $\frac{7}{32}$ (.218) D. 9 Req.

C - $\frac{5}{8}$ D. 1 Req.

D - $\frac{11}{64}$ D. 1 Req.

E - $\frac{1}{8}$ D. 4 Req.

F - $\frac{5}{16}$ D. 1 Req.



ISSUE	ITEM	CHANGED FROM	DATE	GN. NO.	DRAFTS	CHECKER	ENG. APP.
F	REVISED & RELOCATED RIF & F HOLES		4-5-67	18086	L.A.K.		
E	HOUSING LIP WAS		9/15/60				
D	TWO 'A' HOLES ADDED .081 THK. WALL DIA.		11/14/60	1760			
C	S-404 YEL. IRIDITE WAS		1/16				
B	S-101 CAUSTIC DIP REPAIRMAN'S DIMENSIONS		8/27/58	2	16	15	EMN

TOLERANCES: ALL OTHERS DEC. DIM. $\pm \frac{1}{64}$ ANGULAR DIM. $\pm \frac{1}{64}$
 SCALE: FULL
 DRILL PUNCH, COMMERCIAL STOCK SIZES AND MANUFACTURERS TOLERANCES ARE NOT INCLUDED.

REQ. PER UNIT	MODEL	PROJECT NO.	ABB'Y. NO.	DATE
1	A-1397	SBE-1,2		8-27-58

REF: LD-357(B) Lettering

REQ.	ITEM	PART NO.	DESCRIPTION	SYMBOL
		.081 THK.	THE TECHNICAL MATERIEL CORP. MAMARONECK, NEW YORK	
		ALUMINUM	CHASSIS, POWER SUPPLY	
		5052-H32		
		4/8/58		
		S-404 YEL. IRIDITE FINISH & SPEC. NO.		

MS-1114 F