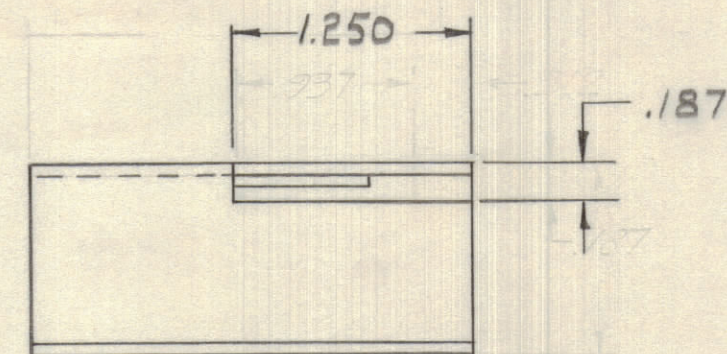
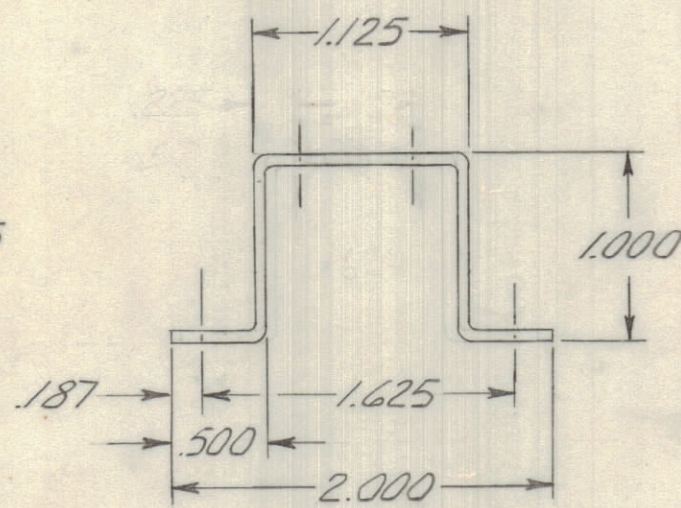
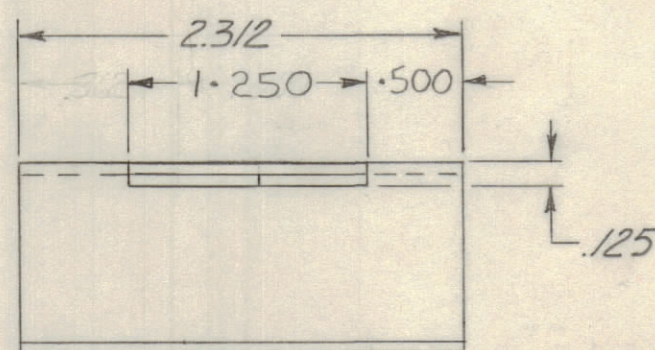
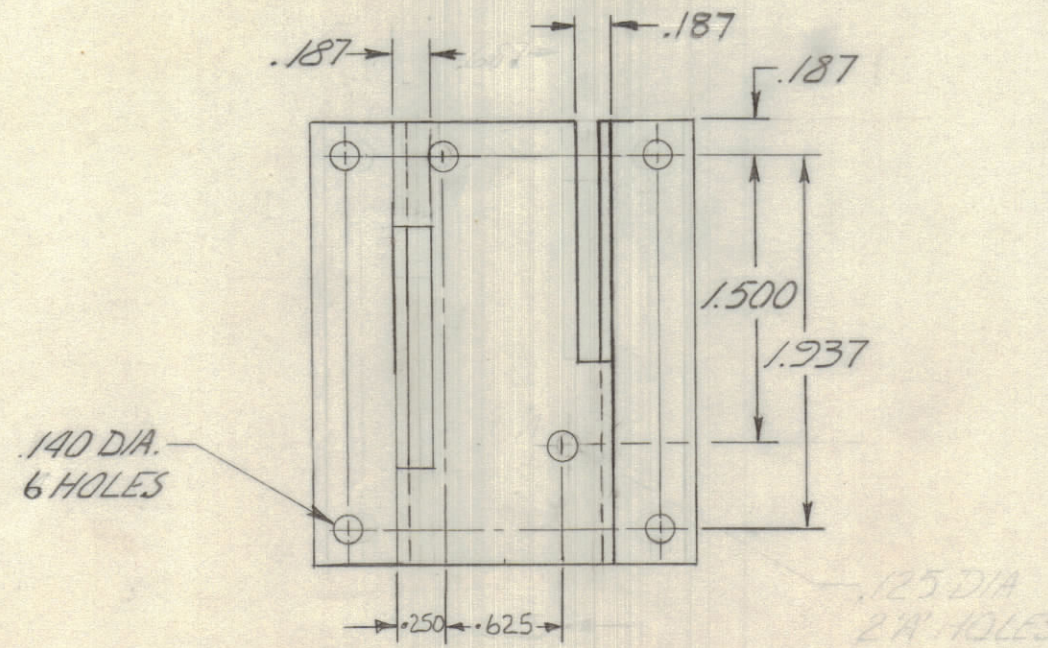


IF IT IS FOUND DESIRABLE TO CHANGE ANY TOLERANCE OR OTHER DETAIL SPECIFIED ON THIS DRAWING NOTIFY THE PURCHASER PROMPTLY.				DIMENSIONS IN INCHES UNLESS OTHERWISE SPECIFIED			
MAXIMUM ALLOWABLE TOLERANCES HAVE BEEN DETERMINED AND DEVIATIONS WILL BE CAUSE FOR REJECTION. REMOVE ALL BURRS AND SHARP EDGES.							
ISSUE	ITEM	CHANGED FROM	DATE	CN. NO.	DRAFTS	CHECKER	ENG. APP.
X		ENG. RELEASE	NOV 10-69		DGW		
XI		CUTOUT ADDED	22 DEC 69		AF		

REQ.	ITEM	PART NO.	DESCRIPTION	SYMBOL
------	------	----------	-------------	--------



MS11117 X1

TOLERANCES		SCALE: 1/1
ALL OTHERS	DEC. DIM. $\pm .05$ FRAC. DIM. $\pm \frac{1}{64}$ ANGULAR DIM. $\pm 0^\circ 30'$	DRILL, PUNCH, COMMERCIAL STOCK SIZES AND MANUFACTURERS TOLERANCES ARE NOT INCLUDED.

BRTR-16	085/69	24 OCT/69
MODEL	PROJECT NO.	DATE
USED ON		

064	TMC (Canada) LIMITED OTTAWA ONTARIO	
STOCK SIZE	BRACKET-RELAY	
MATERIAL	WEIGHT PER PC.	
575 H32		
TYPE & TEMPER	A. GAUTHIER	
HEAT TREAT. SPEC.	DRAWN	ELEC. DES. APP.
YEL IRIDITE - S404	CHECKED	MECH. DES. APP.
FINISH & SPEC. NO.	FINAL APPROVAL	
	MS11117 X1	