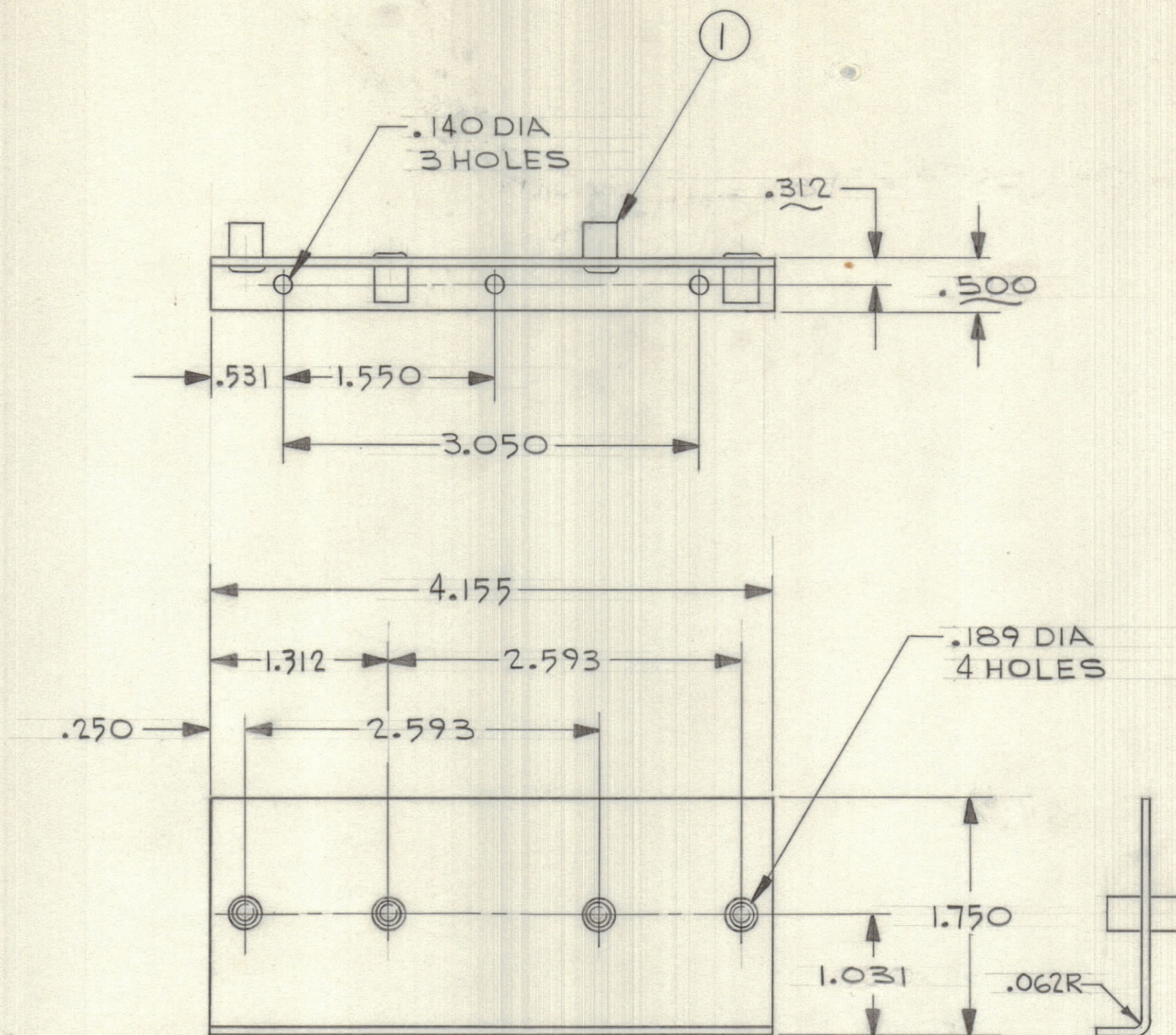


IF IT IS FOUND DESIRABLE TO CHANGE ANY TOLERANCE OR OTHER DETAIL SPECIFIED ON THIS DRAWING NOTIFY THE PURCHASER PROMPTLY.		DIMENSIONS IN INCHES UNLESS OTHERWISE SPECIFIED					
MAXIMUM ALLOWABLE TOLERANCES HAVE BEEN DETERMINED AND DEVIATIONS WILL BE CAUSE FOR REJECTION. REMOVE ALL BURRS AND SHARP EDGES.							
ISSUE	ITEM	CHANGED FROM	DATE	CH. NO.	DRAFTS	CHECKER	ENG. APP.
X		ENG RELEASE	22 JUN				

REQ.	ITEM	PART NO.	DESCRIPTION	SYMBOL
4	1	TE164-1	NUT, PLAIN CLINCH	



MS11233 X

REDRAWN
15 FEB 71 *PA*

TOLERANCES		SCALE: 1/1
ALL OTHERS	DEC. DIM. $\pm .015$ FRAC. DIM. $\pm \frac{1}{64}$ ANGULAR DIM. $\pm 0^{\circ} 30'$	DRILL, PUNCH, COMMERCIAL STOCK SIZES AND MANUFACTURERS TOLERANCES ARE NOT INCLUDED.

SME-5	107/70		
MODEL	PROJECT NO.	ASS'Y. NO.	DATE
USED ON			

.062 THK		TMC (Canada) LIMITED	
STOCK SIZE		OTTAWA ONTARIO	
AL ALY		BRACKET, CIRCUIT CARD	
MATERIAL	WEIGHT PER PC.	SME-5	
57S, H34		ISN	
TYPE & TEMPER		DRAWN	ELEC. DES. APP.
HEAT TREAT. SPEC.		CHECKED	FINAL APPROVAL
IRIDITE S404			
FINISH & SPEC. NO.		MS11233 X	