

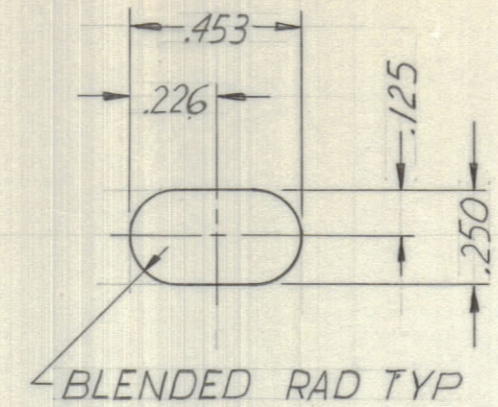
IF IT IS FOUND DESIRABLE TO CHANGE ANY TOLERANCE OR OTHER DETAIL SPECIFIED ON THIS DRAWING NOTIFY THE PURCHASER PROMPTLY.

DIMENSIONS IN INCHES UNLESS OTHERWISE SPECIFIED

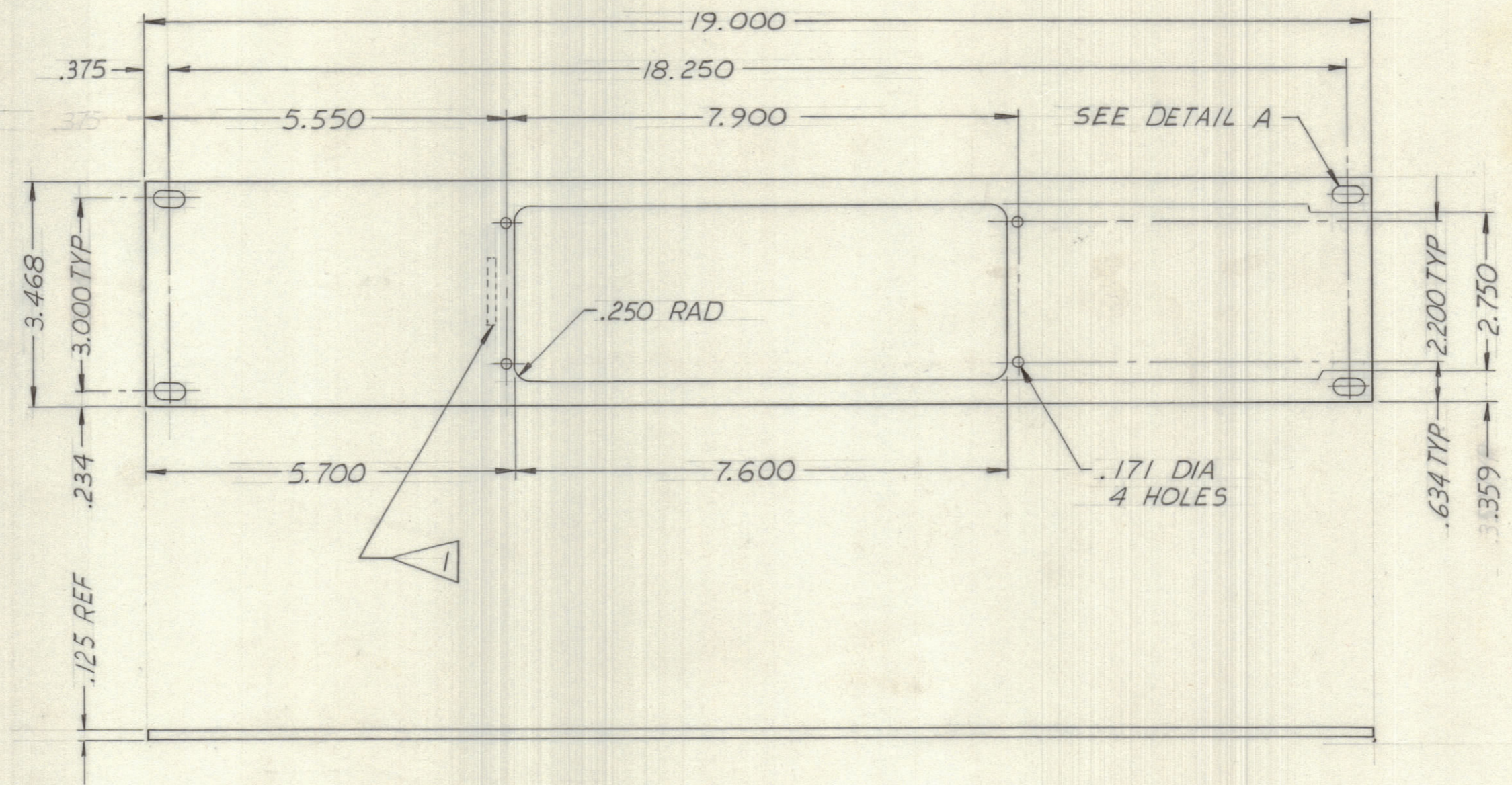
MAXIMUM ALLOWABLE TOLERANCES HAVE BEEN DETERMINED AND DEVIATIONS WILL BE CAUSE FOR REJECTION. REMOVE ALL BURRS AND SHARP EDGES.

| ISSUE | ITEM | CHANGED FROM | DATE     | CH. NO. | DRAFTS | CHECKER | ENG. APP. |
|-------|------|--------------|----------|---------|--------|---------|-----------|
| Φ     |      | PROD RELEASE | 5 MAY 72 |         | LB     | LB      | HCS       |

| REQ. | ITEM | PART NO. | DESCRIPTION | SYMBOL |
|------|------|----------|-------------|--------|
|      |      |          |             |        |



DETAIL A  
TYP 4 PLACES SCALE 2/1



MS 11377 Φ

2. FINISH ALL OVER  
S-404 IRIDITE 14-2 AL-COAT  
S-114 ZINC CHROMATE PRIMER

1. METAL STAMP TMC PART NO. 1/8 HIGH GOTHIC  
IN APPROX POSITION SHOWN OPPOSITE SIDE

NOTES

|                    |                |                      |                 |
|--------------------|----------------|----------------------|-----------------|
| .125 THK           |                | TMC (Canada) LIMITED |                 |
| STOCK SIZE         |                | OTTAWA               | ONTARIO         |
| AL ALY             |                | PANEL, FRONT         |                 |
| MATERIAL           | WEIGHT PER PC. | RACK MTG             |                 |
| 575 H32            |                | L. BROWN             | H. SCHAFER      |
| TYPE & TEMPER      |                | DRAWN                | ELEC. DES. APP. |
|                    |                | L. BROWN             | MECH. DES. APP. |
| HEAT TREAT. SPEC.  |                | FINAL APPROVAL       |                 |
| SEE NOTE 2         |                | MS 11377 Φ           |                 |
| FINISH & SPEC. NO. |                |                      |                 |

|         |             |            |           |
|---------|-------------|------------|-----------|
| AMC 23  | 120171      | A 11016    | 22 OCT 71 |
| MODEL   | PROJECT NO. | ASS'Y. NO. | DATE      |
| USED ON |             |            |           |

|            |  |   |
|------------|--|---|
| TOLERANCES |  | SCALE: 1/2  |
| ALL OTHERS | DEC. DIM. ± .015<br>FRAC. DIM. ± .005<br>ANGULAR DIM. ± 0° 30' | DRILL, PUNCH, COMMERCIAL STOCK<br>SIZES AND MANUFACTURERS<br>TOLERANCES ARE NOT INCLUDED. |