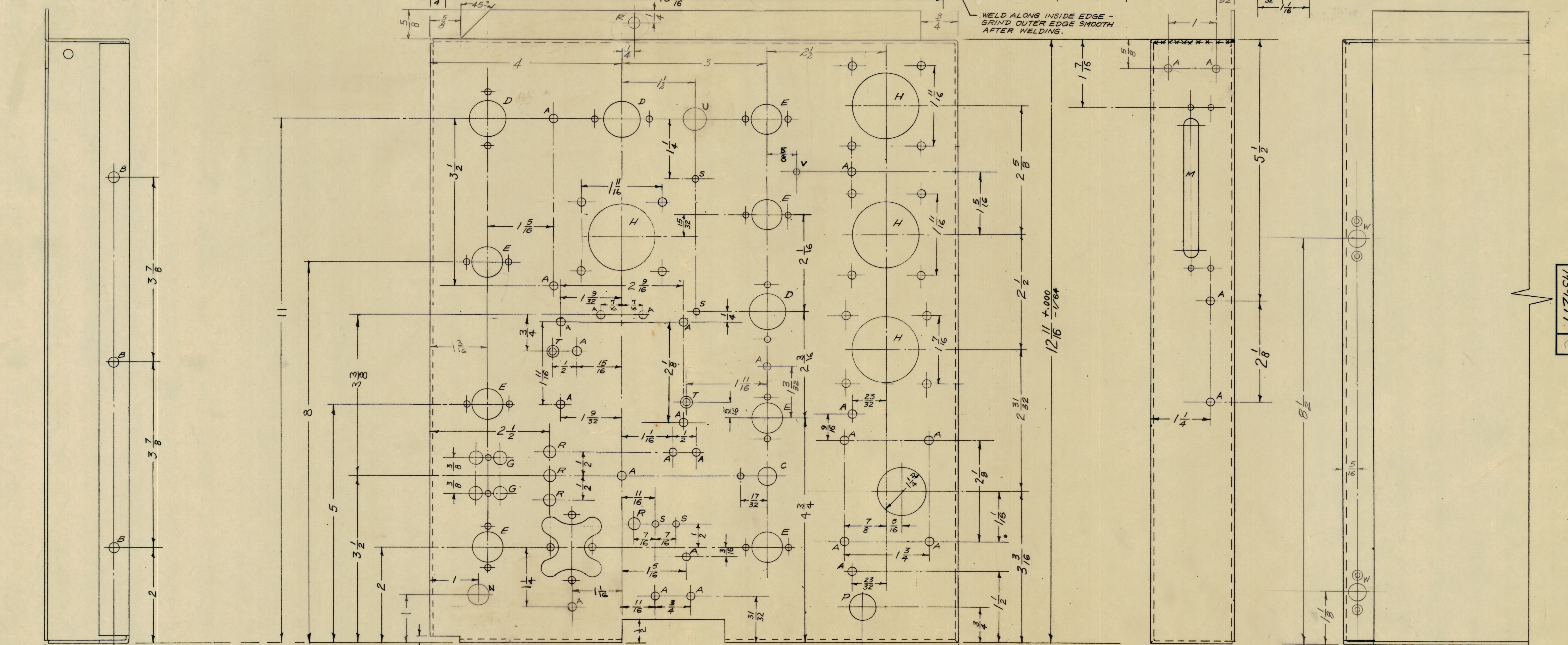
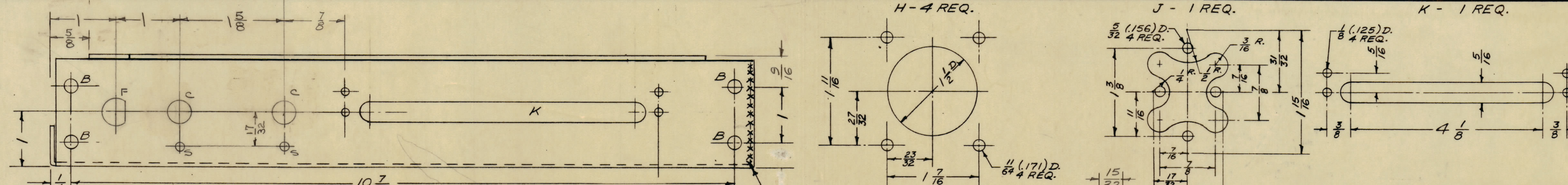
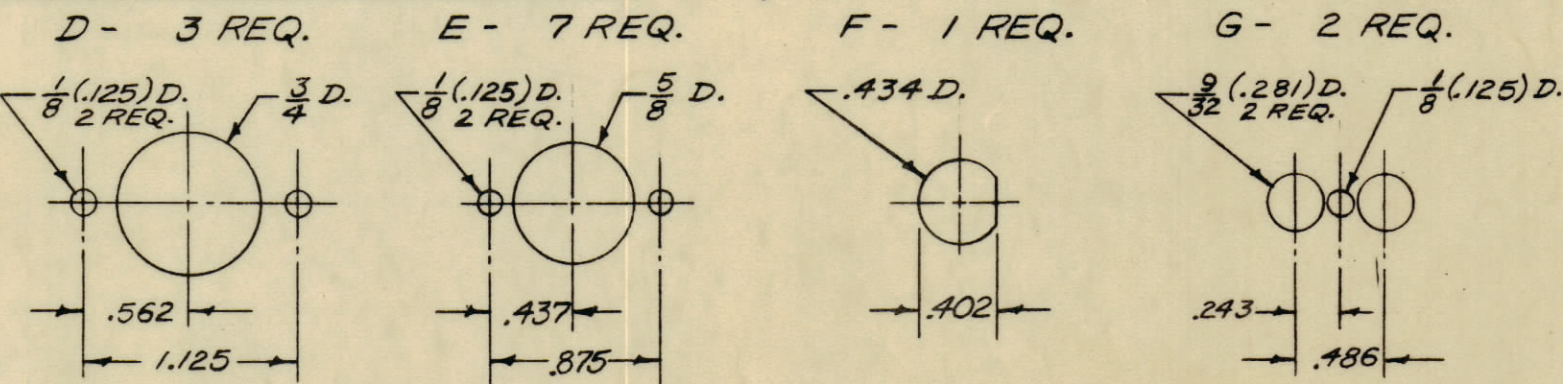
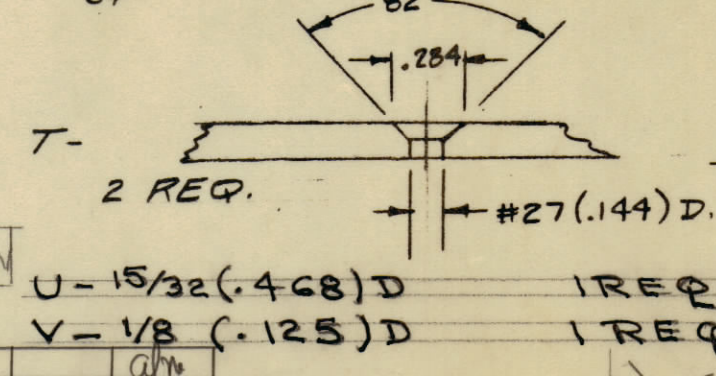


IF IT IS FOUND DESIRABLE TO CHANGE ANY TOLERANCE OR OTHER DETAIL SPECIFIED ON THIS DRAWING NOTIFY THE PURCHASER PROMPTLY.
 MAXIMUM ALLOWABLE TOLERANCES HAVE BEEN DETERMINED AND DEVIATIONS WILL BE CAUSE FOR REJECTION. REMOVE ALL BURRS AND SHARP EDGES.

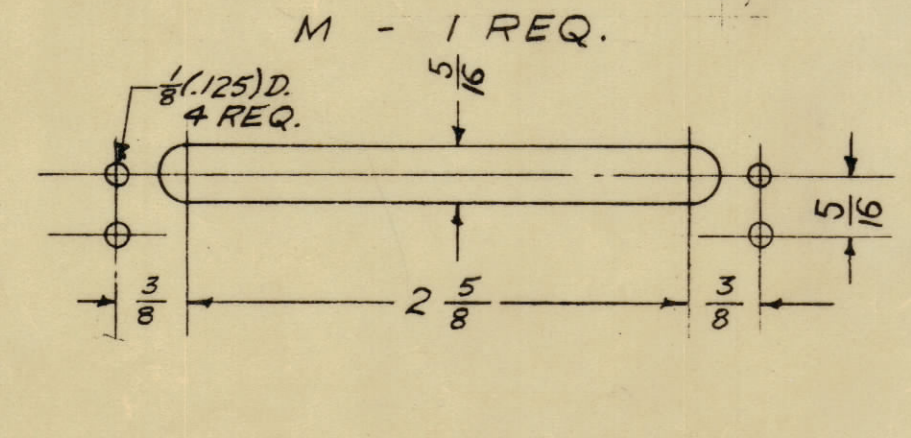
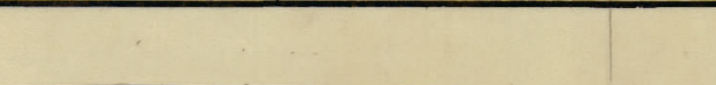
A - $\frac{1}{8}$ " (.171) D. 29 HOLES REQ.
 B - $\frac{1}{8}$ " (.203) D. 12 HOLES REQ.
 C - $\frac{1}{8}$ " (.375) D. 4 HOLES REQ.



N - $\frac{7}{16}$ " (.437) D. 1 HOLE REQ.
 P - $\frac{5}{16}$ " (.562) D. 1 HOLE REQ.
 R - $\frac{1}{4}$ " (.250) D. 5 HOLES REQ.
 S - $\frac{3}{64}$ " (.140) D. 8 HOLES REQ.



U - $\frac{15}{32}$ " (.468) D. 1 REQ.
 V - $\frac{1}{8}$ " (.125) D. 1 REQ.



REF. LD-393 (2) LETTERING - MSR-3

REQ. ITEM	PART NO.	DESCRIPTION	SYMBOL
1	.064 THK.	THE TECHNICAL MATERIEL CORP. MAMARONECK, NEW YORK	
1	ALUMINUM	MAIN CHASSIS, MSR-3	
1	5052-H32		
1	TYPE & TEMPER		
1	HEAT TREAT. SPEC.		
1	FINISH & SPEC. NO.		

DATE: 6-24-59
 4-9-58

MS-1217