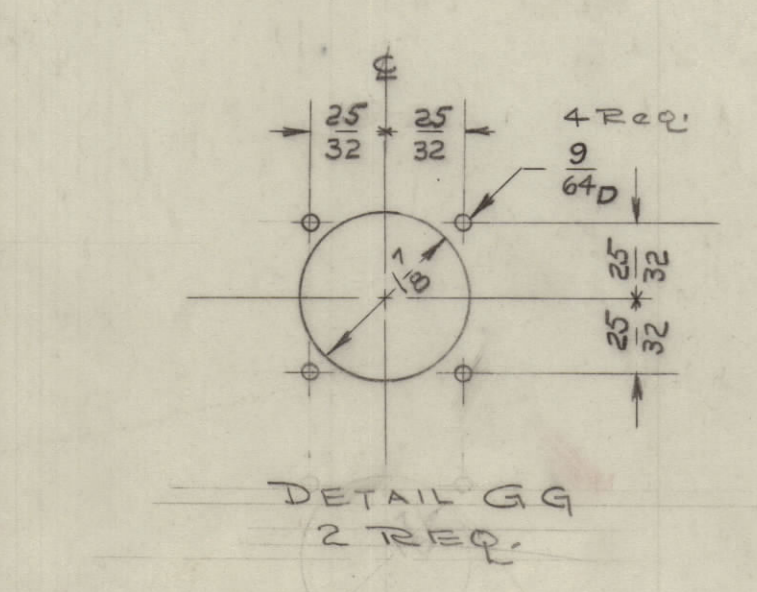
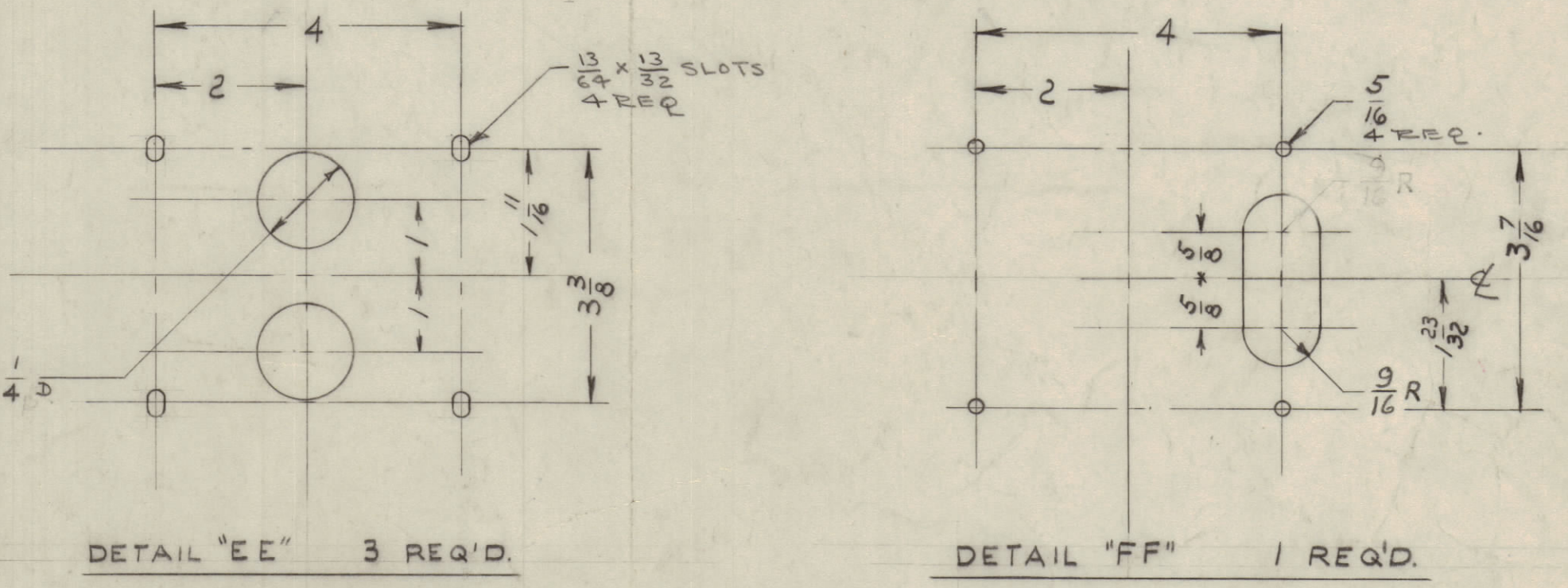
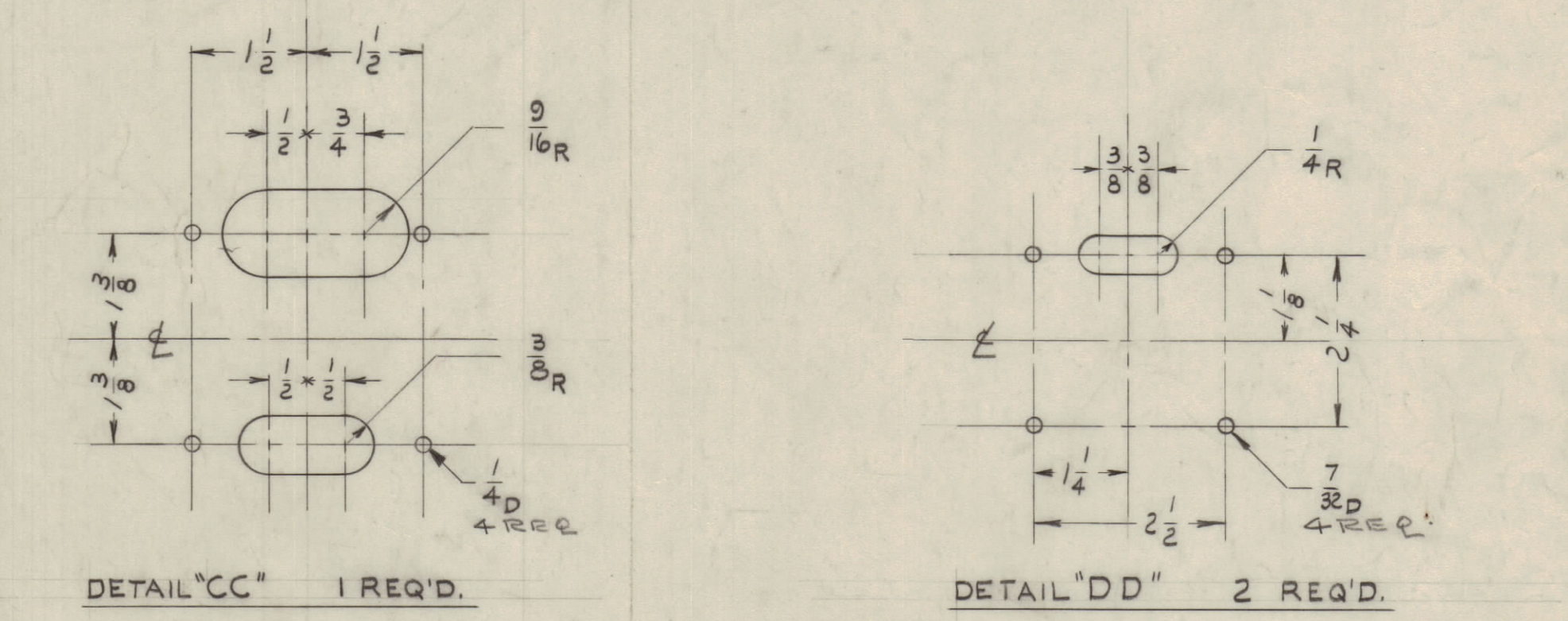
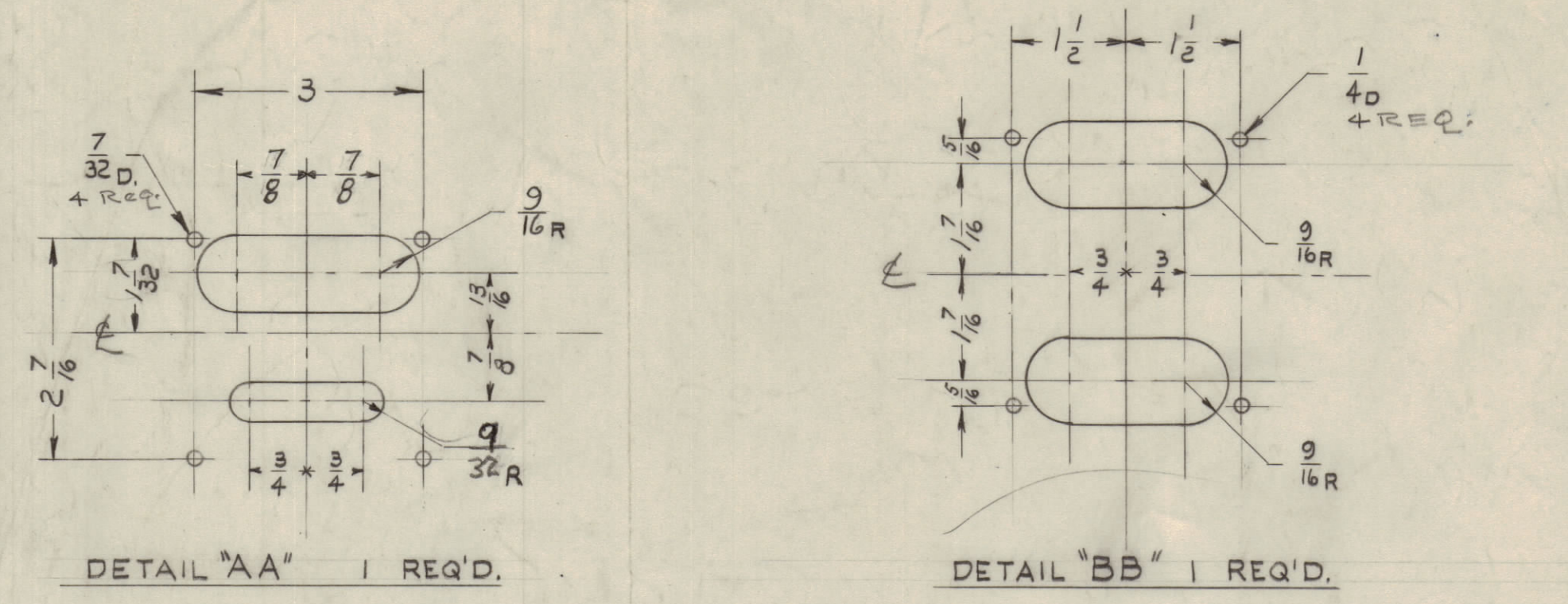
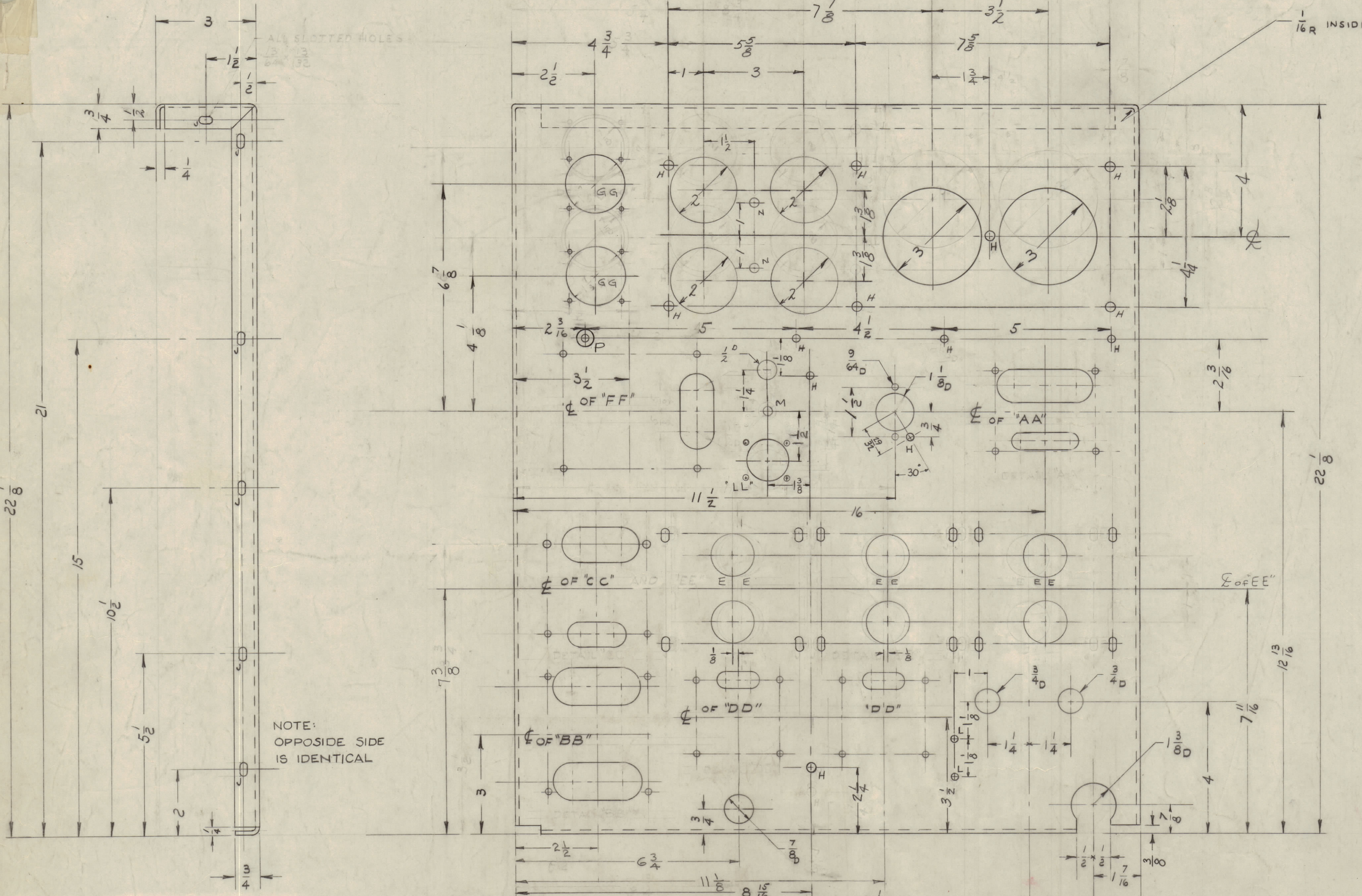


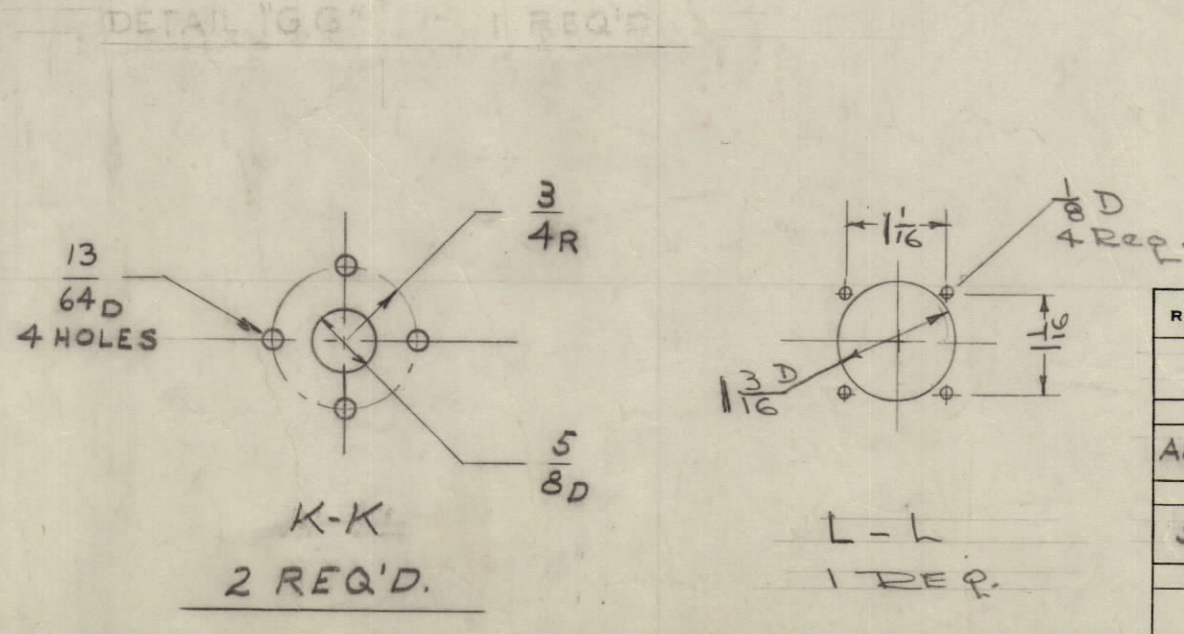
IS FOUND DESIRABLE TO CHANGE ANY TOLERANCE
 THEIR DETAIL SPECIFIED ON THIS DRAWING NOTIFY
 PURCHASER PROMPTLY.
 ALLOWABLE TOLERANCES HAVE BEEN DETER-
 MINED AND DEVIATIONS WILL BE CAUSE FOR REJECTION.
 REMOVE ALL BURRS AND SHARP EDGES



HOLES:

HOLES:	REQ'D.
H - 13/64 DIA. HOLES	13
J - SLOTTED HOLES 13/64 x 13/32	17
K - 13/64 DIA. HOLE	1
L - 1/8 DIA. HOLE	2
M - 11/64 DIA. HOLE	1
N - 17/64 DIA. HOLE	2
P - DRILL C'SINK 8-32	1

NOTE:
 ALL BENDS 1/8 RADIUS.



REV.	DESCRIPTION	DATE	BY	CHECKED	ENG. APP.
H	1 UP Hole was 0.14 Hole (1/32)	4-8-61	4558	RLU	RLU
G	1 Detail LL Relocated	5-16-61	4429	RLU	RLU
F	1 RC" + E-F Loc. CLARIFIED	11-16-61	3462	RLU	RLU
E	6 NOTE ADDED				
D	5 ON DETAIL EE 9/16 R WAS 1/2	10-17-60	3204	RLU	RLU
C	4 ON DETAIL AA 9/16 R WAS 1/4 R				
B	3 ON DETAIL AA 9/16 R WAS 1/2 R				
A	2 ON DETAIL AA 7/8 DIA WERE 15/16				
	1 3/8 DIA WAS 1/4				
	1 5-408 YEL IRIDITE WAS	7-4-59	1001	HIS	ENH
	5-101 CAUSTIC DIP				
	1 1/8 WAS 1/4				
	1 1/4 WAS 1/4				
	1 ADDED 2 "N" HOLES				
	1 GROUPED "K" & "N" HOLES				
	1 "N" HOLES WERE 15/64	10/1/59	625	RLU	RLU
	1 1/4 DIA. HOLE WAS "H" 15/64				
	1 HOLE WAS 1/2 D.				
	1 E-F WERE 6/16-11/16 & 15/16				
	1 1/2 WAS 3/8				
	1 DIM. CHG. - 3/8 WAS 1/2; 1/4 WAS 1/4	12/1	553	RLU	RLU
	1 DETAIL L WAS IN U.R.C.				
	1 SLOTS RE DIMEN SIGNED	3/8			
	1 ON PANEL MOUNTING EDGES				
	1 "K" & "L" HOLES ADDED	11/9/58		RLU	RLU

ISSUE	ITEM	CHANGED FROM	DATE	CN. NO.	DRAFTS	CHECKER	ENG. APP.
A	1	ALL DIM. ±					
B	2	FRAC. DIM. ±					
C	3	ANGULAR DIM. ±					

SCALE: DRILL PUNCH, COMMERCIAL STOCK SIZES AND MANUFACTURERS TOLERANCES ARE NOT INCLUDED.

Ref. LD-464

REQ. ITEM	PART NO.	DESCRIPTION	SYMBOL
1	1/8 MAT'L.	THE TECHNICAL MATERIEL CORP.	
	STOCK SIZE	MAMARONECK, NEW YORK	
	ALUMINUM	CHASSIS, MAIN	
	MATERIAL	WEIGHT PER PC.	
	5052 H32		
	TYPE & TEMPER		
	HEAT TREAT. SPEC.		
	S-404 YEL. IRIDITE		
	FINISH & SPEC. NO.		

1 RTP-2 MODEL PROJECT NO. ASSY. NO. DATE 10/2/58

USED ON

13 64D 4 HOLES 3/4 R 5/8 D

1 1/16 1/8 D 4 REP.

1 1/16 1/8 D 4 REP.

MS-1348 H