

IF IT IS FOUND DESIRABLE TO CHANGE ANY TOLERANCE OR OTHER DETAIL SPECIFIED ON THIS DRAWING NOTIFY THE PURCHASER PROMPTLY.
 MAXIMUM ALLOWABLE TOLERANCES HAVE BEEN DETERMINED AND DEVIATIONS WILL BE CAUSE FOR REJECTION.
 REMOVE ALL BURRS AND SHARP EDGES

NOTICE TO PERSONS RECEIVING THIS DRAWING

THE TECHNICAL MATERIEL CORPORATION claims proprietary right in the material disclosed hereon. This drawing is issued in confidence for engineering information only and may not be reproduced or used to manufacture anything shown hereon without permission from THE TECHNICAL MATERIEL CORPORATION to the user. This drawing is loaned for mutual assistance and is subject to recall at any time.

Property of:
 THE TECHNICAL MATERIEL CORPORATION
 MAMARONECK, NEW YORK

ALL "J" HOLES $\frac{15}{64}$ DIA. 234 REQ'D.

ALL "G" HOLES $\frac{15}{32}$ DIA. 8-REQ'D.

1 MOUNT AS SHOWN IN ALL "G" HOLES

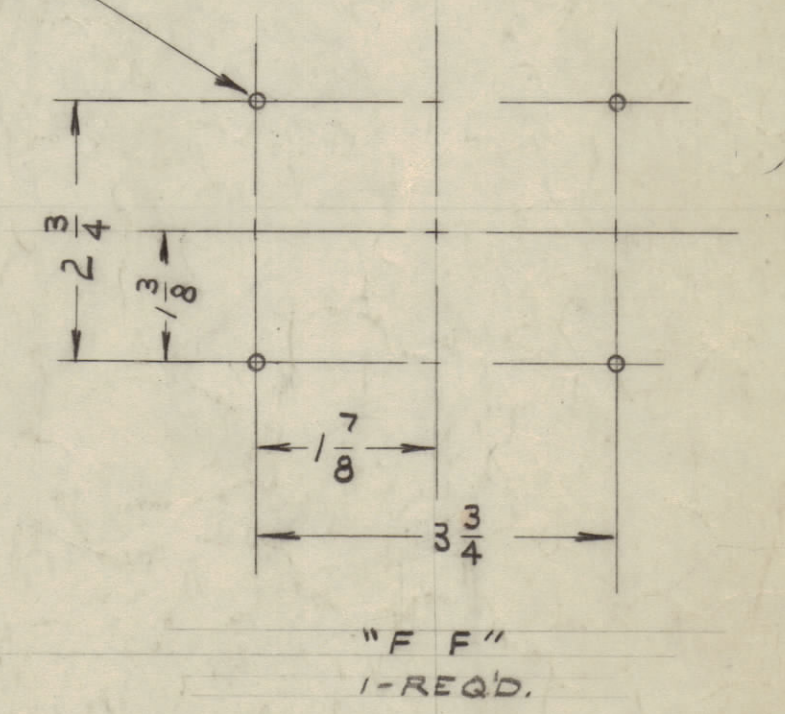
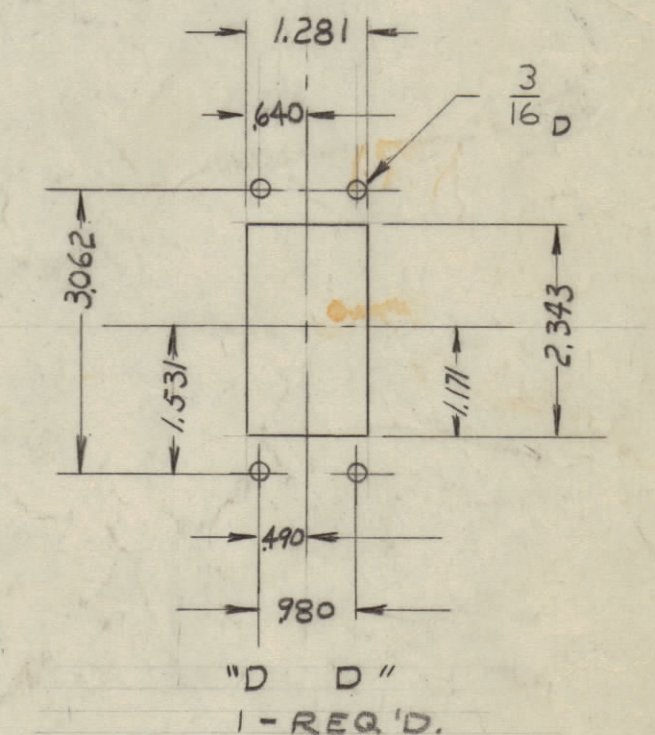
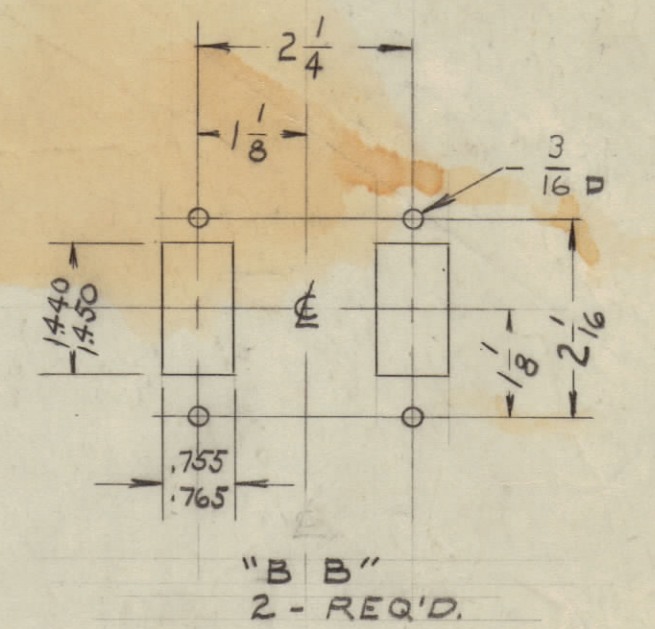
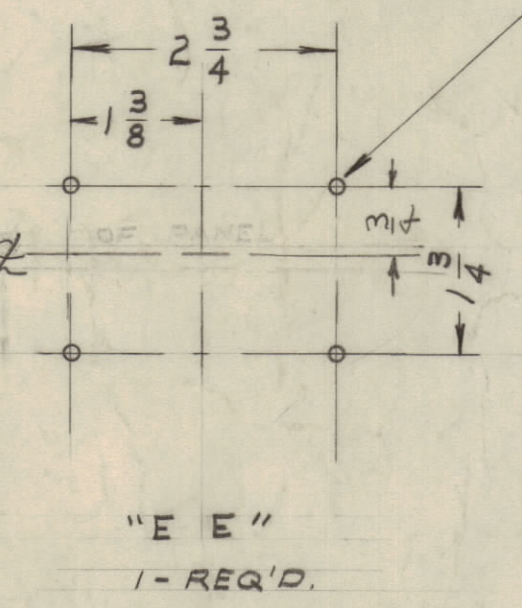
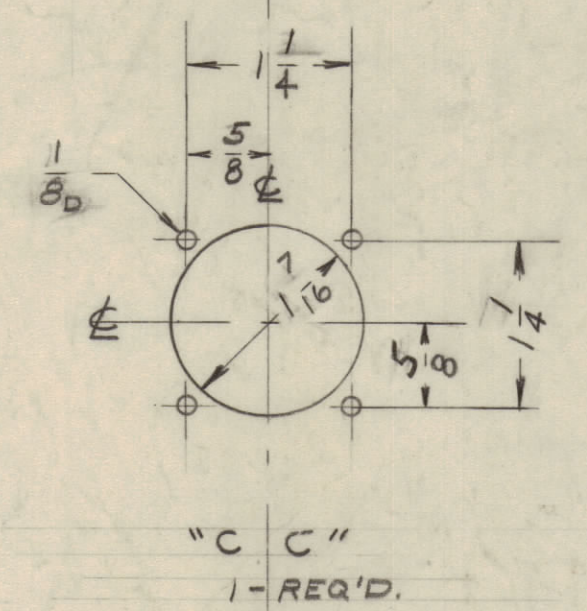
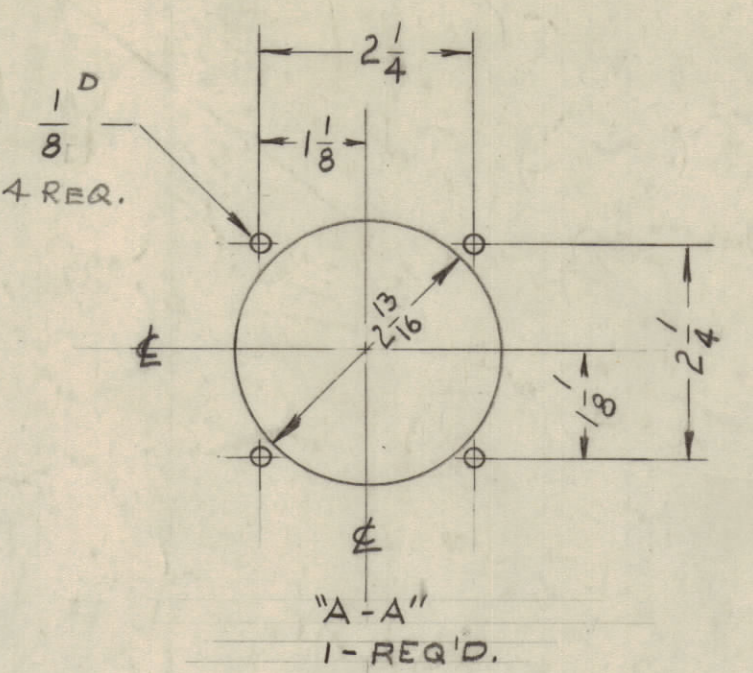
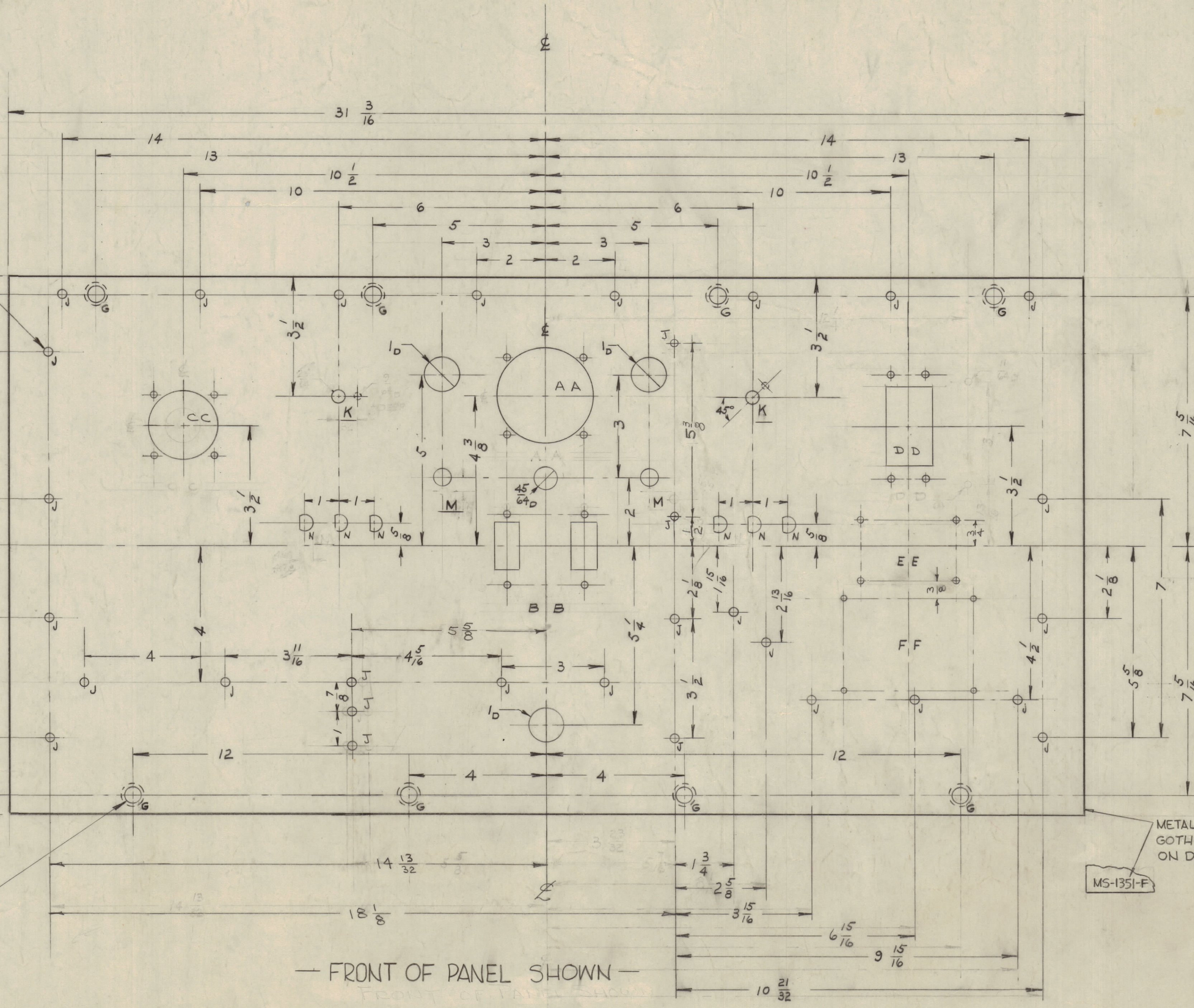
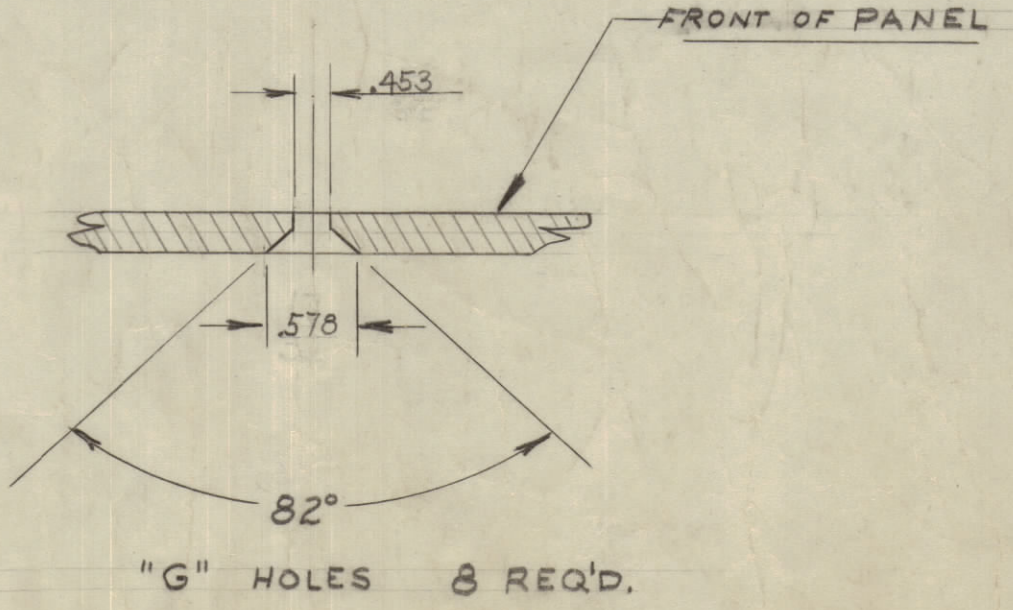
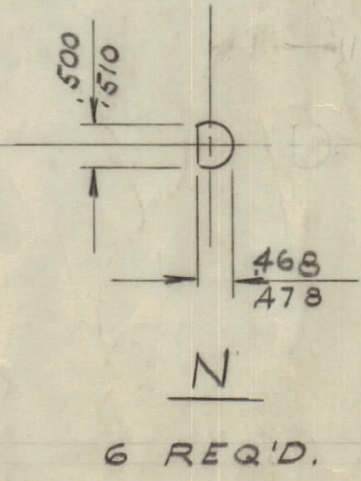
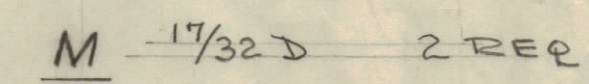
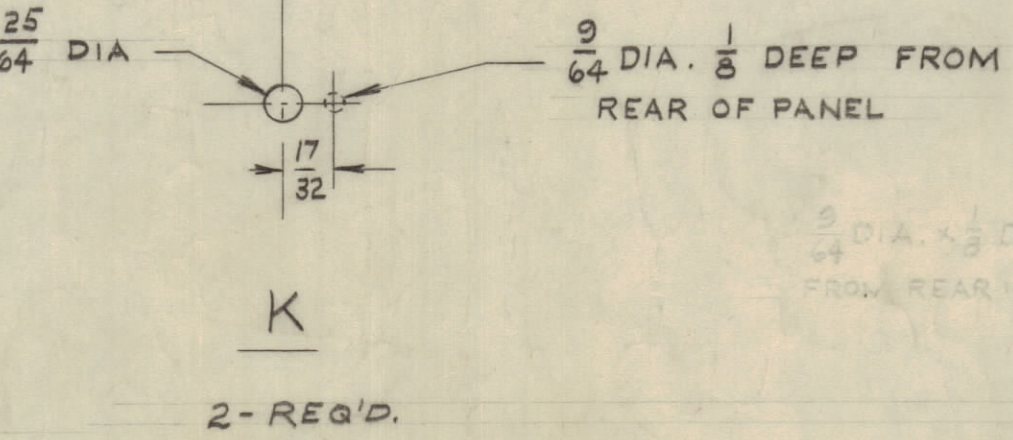
METAL STAMP TMC PART NO. 1/8 HIGH GOTHIC ON REAR OF PANEL AS SHOWN ON DETAIL

MS-1351-F

FRONT OF PANEL SHOWN

G	3	DELE REF LD 462	11/7/50	2000	GE	W	W	W
F	1	ITEM (1) SIDE VIEW ADDED	4/22/53	5823	W	W	W	W
E	1	3/16 DIA HOLES WERE 1/16 DIA. ON "BB" & "DD" DETAILS	11-3-61	5800	W	W	W	W
D	1	S-404 TEL. IRIDITE WAS S-101 CAUSTIC DIP	12/19/51	1001	W	W	W	W
C	1	4.53 WAS 5.78	1/59/1650	AB	W	W	W	W
B	1	ADDED "J" HOLE	12/1/58	552	W	W	W	W
A	1	C-C DETAIL CHANGED	1/22/58		W	W	W	W

ALL OTHERS	DEC. DIM. $\pm .003$	FRAC. DIM. $\pm \frac{1}{64}$	ANGULAR DIM. ± 20	DRILL PUNCH, COMMERCIAL STOCK SIZES AND MANUFACTURERS TOLERANCES ARE NOT INCLUDED.
------------	----------------------	-------------------------------	-----------------------	--



NOTES

- FINISH -**
- S404 YELLOW IRIDITE
 - S114 ZINC CHROMATE PRIMER
 - S115 TMC SMOOTH GREY ENAMEL
- FRONT & EDGE ONLY
 OR PRIME & PAINT TO CUST. SPEC.

- MACHINING -**
- 1- LATERAL BOW OF PANEL MUST BE KEPT TO .031 TOLERANCE
 - 2- MILL ALL EDGES
 - 3- HOLES MUST BE DRILLED
 - 4- PANEL MUST BE FREE OF ALL MACHINING MARKS, GOUGES, AND SCRATCHES IF NECESSARY SAND FRONT OF PANEL WITH NO. 120 GRIT SANDPAPER

REF: LD 451 (B) ENGRAVING & MS-1363

B	1	NT-124	CAPTIVE INSERT	"G"
REQ. ITEM	PART NO.	DESCRIPTION	SYMBOL	
	3/16	MAT'L.	THE TECHNICAL MATERIEL CORP.	
		STOCK SIZE	MAMARONECK, NEW YORK	
		ALUMINUM	PANEL FRONT	
		MATERIAL	RTP-2	
		2024-T3		
		TYPE & TEMPER		
		HEAT TREAT. SPEC.		
		SEE FINISH NOTE		
		FINISH & SPEC. NO.		

1	RTP-2	PROJECT NO.	ASS'Y. NO.	DATE
REQ. PER UNIT				10-7-58
				USED ON

MS 1351 G