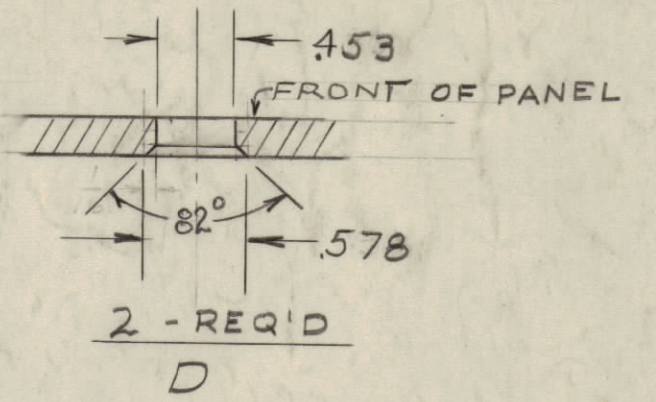
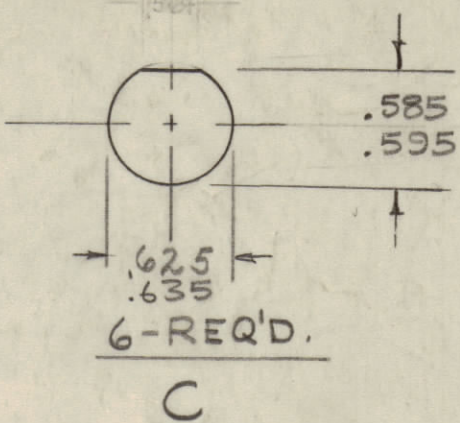
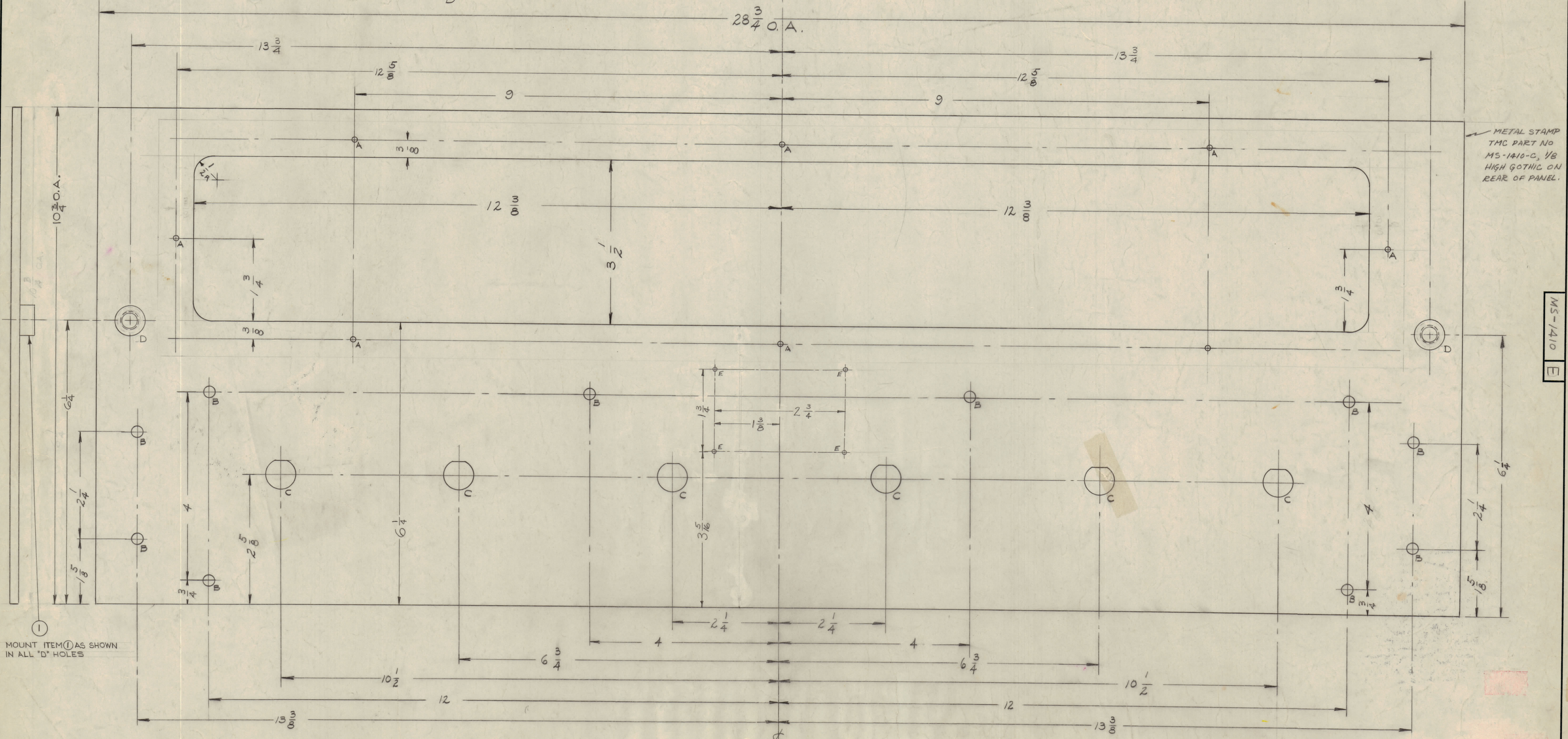


IF IT IS FOUND DESIRABLE TO CHANGE ANY TOLERANCE OR OTHER DETAIL SPECIFIED ON THIS DRAWING NOTIFY THE PURCHASER PROMPTLY.
 MAXIMUM ALLOWABLE TOLERANCES HAVE BEEN DETERMINED AND DEVIATIONS WILL BE CAUSE FOR REJECTION. REMOVE ALL BURRS AND SHARP EDGES



HOLES	REQ'D.
A - 9/64 (.140) DIA	8
B - 13/64 (.203) DIA	10
E - #47 DRILL (.079)	4



METAL STAMP
 TMC PART NO
 MS-1410-C, 1/8
 HIGH GOTHIC ON
 REAR OF PANEL.

MS-1410
 E

REV.	DESCRIPTION	DATE	BY	CHECKED	ENG. APP.
E	REF: LD491 ADDED	10.8.64	2595	MB	OCB
D	ITEM (1) ADDED	5.3.64	2033	MB	OCB
C	(4) 'E' HOLES ADDED	11.24.62	7741	MB	OCB
B	DIM-13/64 WAS 13/16	11.27.60	1815	MB	OCB
A	3-404 YEL IRIDITE WAS 3-101 CAUSTIC DIP	11.19.63	1001	MB	EMN

NOTICE TO PERSONS RECEIVING THIS DRAWING
 THE TECHNICAL MATERIEL CORPORATION claims proprietary right in the material disclosed herein. This drawing is issued in confidence for engineering information only and may not be reproduced or used to manufacture anything shown hereon without permission from THE TECHNICAL MATERIEL CORPORATION to the user. This drawing is loaned for mutual assistance and is subject to recall at any time.

- NOTES:
- MACHINING-
1. Lateral Bow of Panel Be kept to .031 Tol.
 2. Mill all Edges.
 3. Holes Must be Drilled.
 4. Panel must be free of all machining marks, gouges, & scratches. If necessary, Sand Front of Panel with No. 120 Grit Sandpaper.

FINISH-

S-404 YELLOW IRIDITE
 S114 Zinc Chromate Primer
 S115 TMC Smooth Grey Enamel } Front & Edges Only.

Property of:
 THE TECHNICAL MATERIEL CORPORATION
 MAMARONECK, NEW YORK

REQ. ITEM	PART NO.	DESCRIPTION	SYMBOL
2	1	NT-124 CAPTIVE INSERT	
3/16 THICK		THE TECHNICAL MATERIEL CORP. MAMARONECK, NEW YORK	
ALUMINUM		PANEL, FRONT	
2024-T3		H.V.R. DBCK	
TYPE & TEMPER		DRAWN: MB, ELEC. DES. APP. MB, MECH. DES. APP. MB	
HEAT TREAT. SPEC.		CHECKED: MB, FINAL APPROVAL: MB	
FINISH & SPEC. NO.		MS-1410 E	

REQ. PER UNIT	MODEL	PROJECT NO.	ASSY. NO.	DATE
1	GPT-10K	AX-103		1-8-59