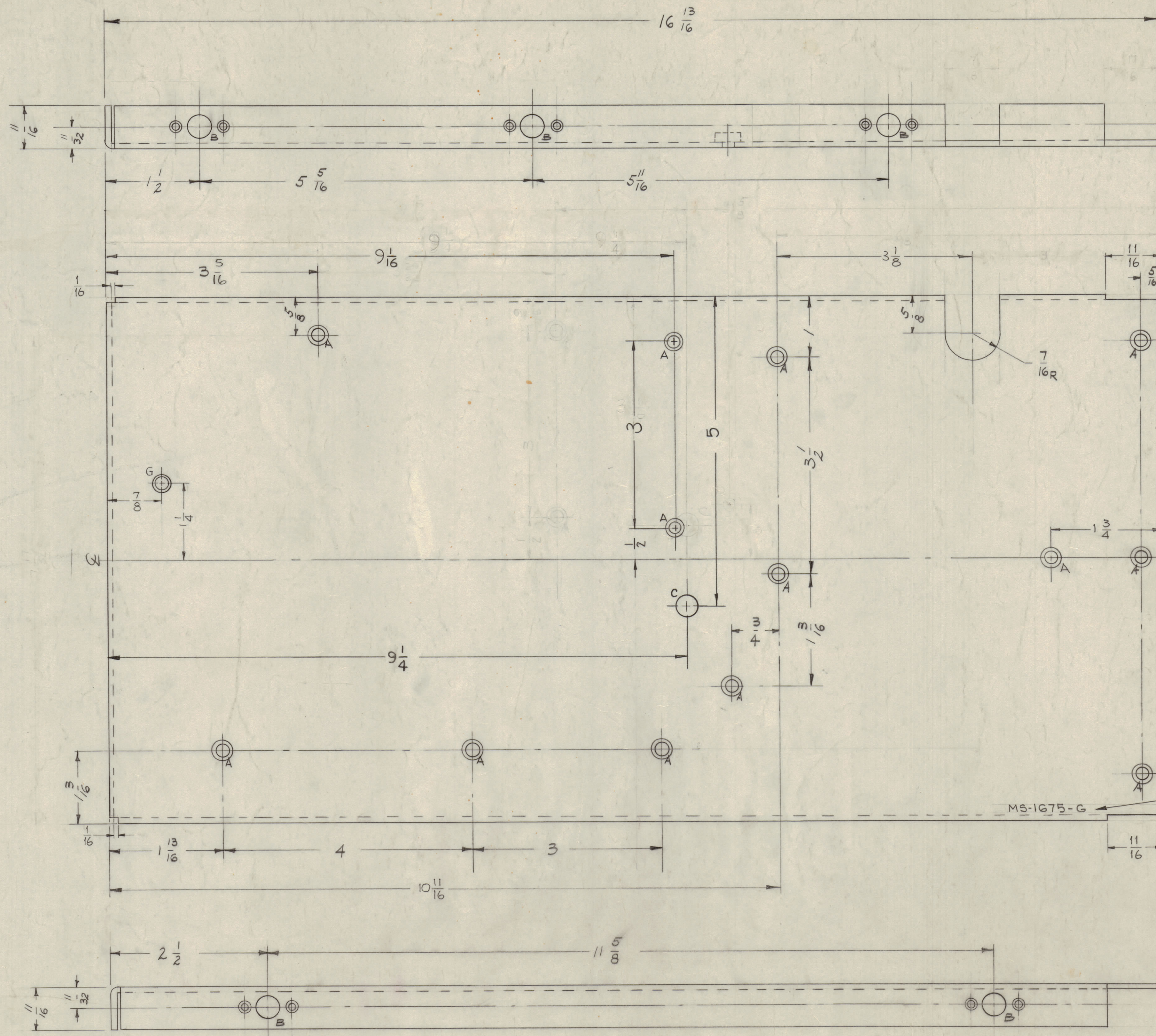
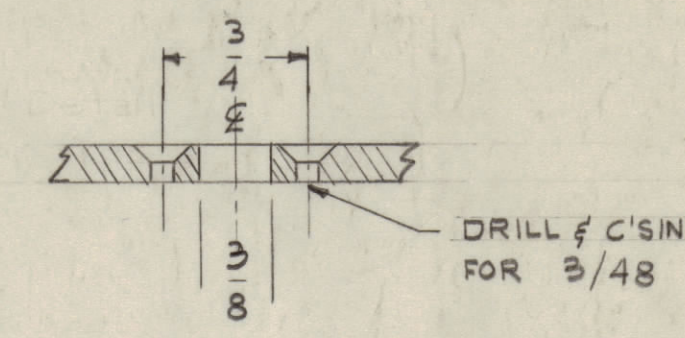


IF IT IS FOUND DESIRABLE TO CHANGE ANY TOLERANCE OR OTHER DETAIL SPECIFIED ON THIS DRAWING NOTIFY THE PURCHASER PROMPTLY.  
 MAXIMUM ALLOWABLE TOLERANCES HAVE BEEN DETERMINED AND DEVIATIONS WILL BE CAUSE FOR REJECTION. REMOVE ALL BURRS AND SHARP EDGES



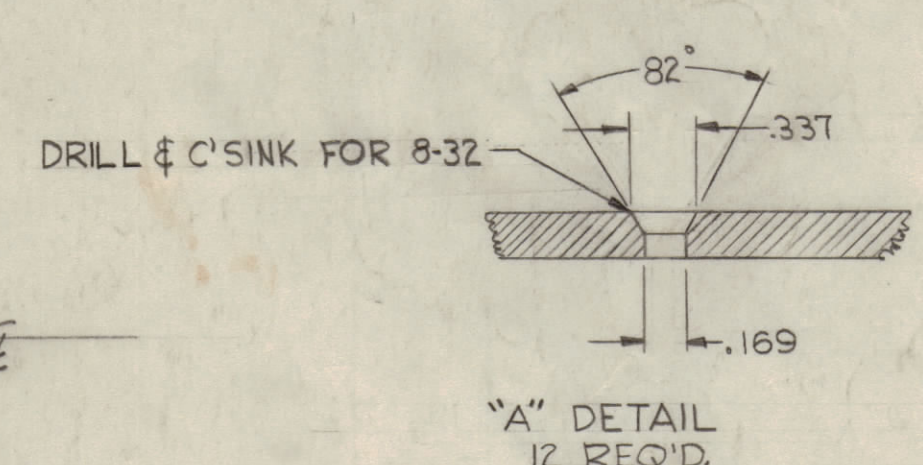
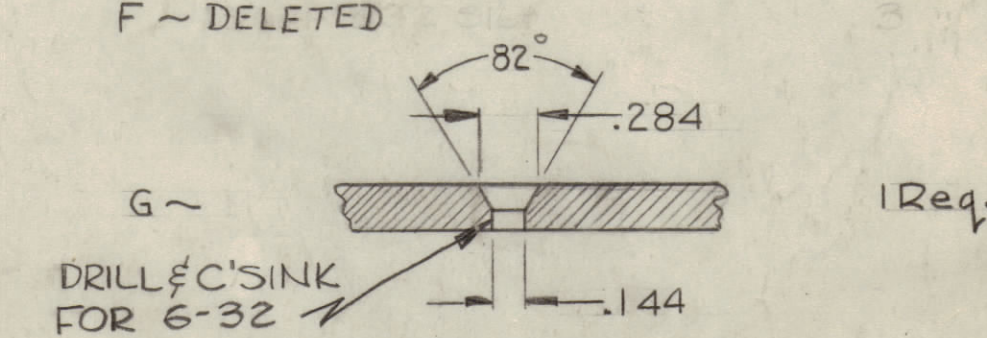
HOLES REQ'D.

A - See Detail 13



'B' 5- REQ'D.

C - 3/8 (375) Dia. 1 Req.  
 D - DELETED  
 E - 13/64 (.203) Dia. 3 "  
 F - DELETED



'A' DETAIL 12 REQ'D.

METAL STAMP TMC PART No. 1/8 HIGH GOTHIC.

NOTICE TO PERSONS RECEIVING THIS DRAWING

THE TECHNICAL MATERIEL CORPORATION claims proprietary right in the material disclosed hereon. This drawing is issued in confidence for engineering information only and may not be reproduced or used to manufacture anything shown hereon without permission from THE TECHNICAL MATERIEL CORPORATION to the user. This drawing is loaned for mutual assistance and is subject to recall at any time.

Property of:  
 THE TECHNICAL MATERIEL CORPORATION  
 MAMARONECK, NEW YORK

G	1	"A" DETAIL, REQ WAS 12	8-21-63	80016	JCB	JCB
F	1	16 Hole Was (C) Hole	12-12-61	6011	J.S.	JCB
E	2	Dim 1/2 was 3/8 (1/8 Lip)	2-2-61	4053	R.U.	JCB
D	1	2 (6) Hole Relocated (center)				JCB
C	3	(3) "E" HOLES ADDED				JCB
B	2	(3) "F" HOLES DELETED	12-11-60	9753	JCB	JCB
A	1	(1) "D" HOLE 4/32 D. DELETED				JCB
	1	(2) "A" HOLES Relocated	11-24-60	3552	JCB	JCB
		Dim. were revised				JCB
		(1) "D" Hole & (1) "E" Hole added	12/1/59	1636	JCB	JCB
		2 "F" Slots Added				JCB
		1 "A" Holes were 13/64 DIA.				JCB
		1 "C" Hole added	5-13-58	994	JCB	JCB

ALL	DEC. DIM. ±	DRILL, PUNCH, COMMERCIAL STOCK
OTHERS	FRACTIONAL DIM. ± 1/64	SIZES AND MANUFACTURERS
	ANGULAR DIM. ±	TOLERANCES ARE NOT INCLUDED.

REQ. PER UNIT	MODEL	PROJECT NO.	ASBY. NO.	DATE
	RFB-1, RFC-1			

REQ. ITEM	PART NO.	DESCRIPTION	SYMBOL
.081		THE TECHNICAL MATERIEL CORP. MAMARONECK, NEW YORK	
STOCK SIZE			
ALUMINUM		RIGHT SIDE PLATE	
MATERIAL	WEIGHT PER PC.		
		1 PA	
TYPE & TEMPER			
HEAT TREAT. SPEC.			
FINISH & SPEC. NO.			

MS-1675 G

MS-1675 G