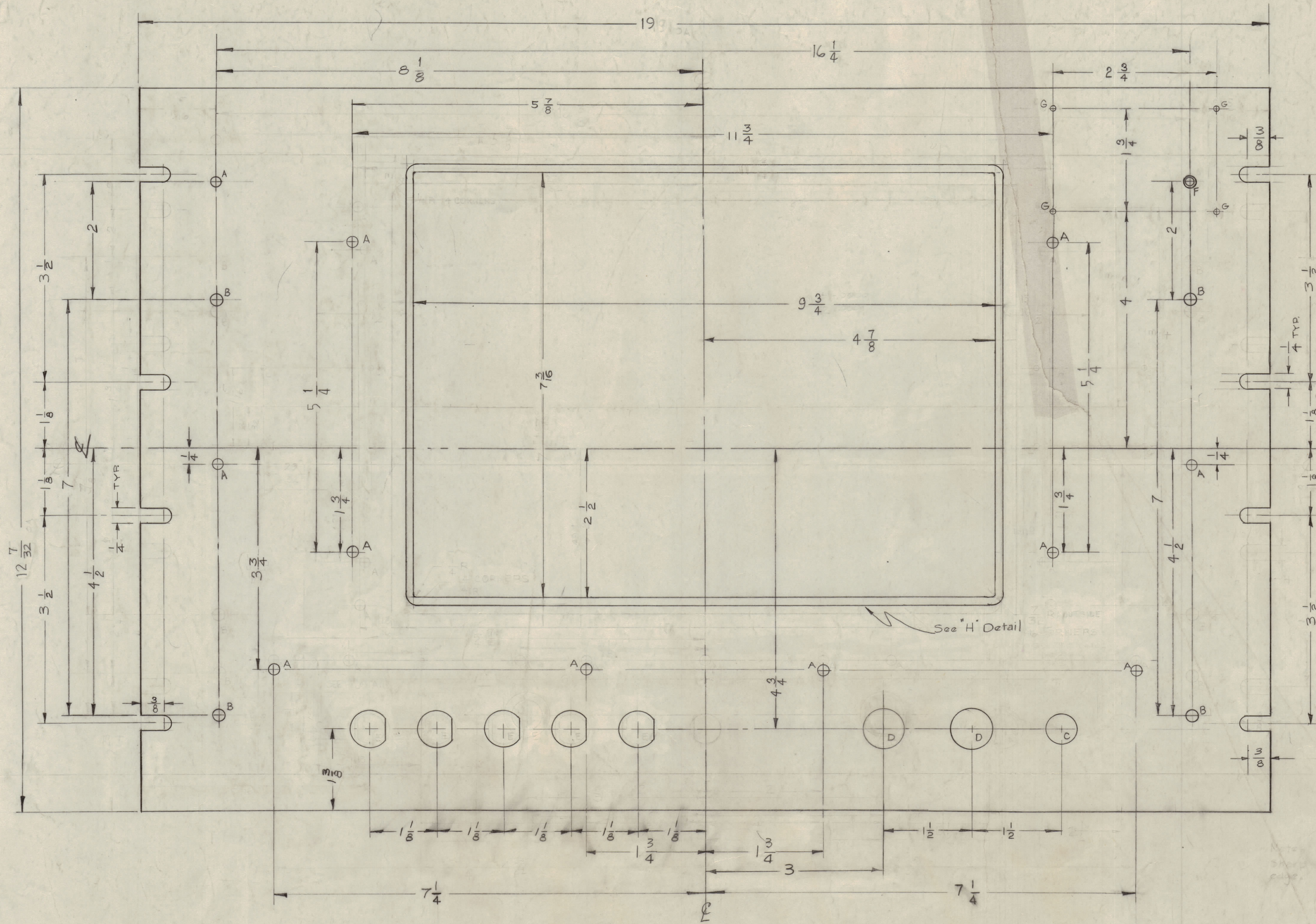


IF IT IS FOUND DESIRABLE TO CHANGE ANY TOLERANCE OR OTHER DETAIL SPECIFIED ON THIS DRAWING NOTIFY THE PURCHASER PROMPTLY.
 MAXIMUM ALLOWABLE TOLERANCES HAVE BEEN DETERMINED AND DEVIATIONS WILL BE CAUSE FOR REJECTION. REMOVE ALL BURRS AND SHARP EDGES.

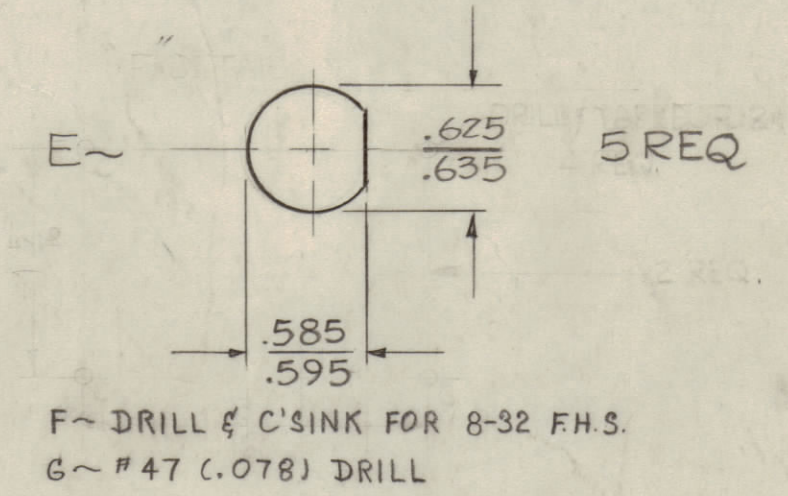
NOTICE TO PERSONS RECEIVING THIS DRAWING

THE TECHNICAL MATERIEL CORPORATION claims proprietary right in the material disclosed hereon. This drawing is issued in confidence for engineering information only and may not be reproduced or used to manufacture anything shown herein without permission from THE TECHNICAL MATERIEL CORPORATION to the user. This drawing is loaned for mutual assistance and is subject to recall at any time.

Property of:
THE TECHNICAL MATERIEL CORPORATION
 MAMARONECK, NEW YORK

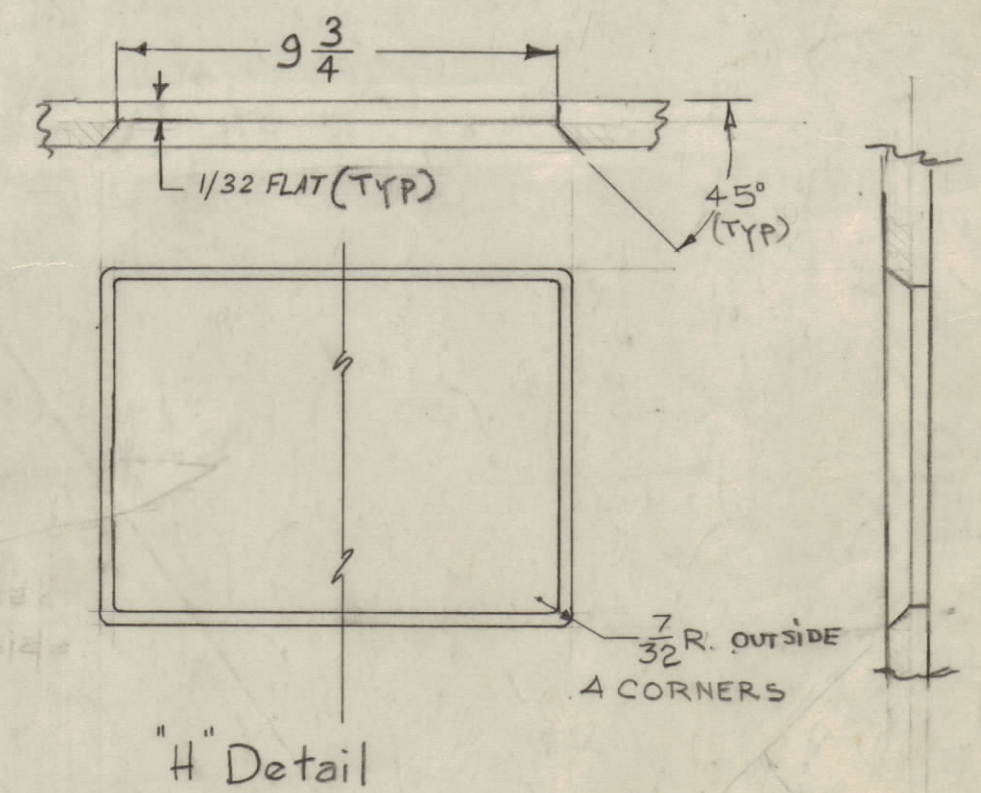


HOLES	REQ'D
A - (.171) 1/64 DIA.	11
B - (.203) 13/64 DIA.	4
C - 1/2 (.500) DIA.	1
D - 11/16 (.688) DIA.	2



MACHINING ~
 1~ LATERAL BOW OF PANEL MUST BE KEPT TO .031 TOL.
 2~ MILL ALL EDGES.
 3~ PANEL MUST BE FREE OF ALL MACHINING MARKS, GOUGES, AND SCRATCHES, IF NECESSARY, SAND FRONT OF PANEL WITH N# 120 GRIT SANDPAPER.

FINISH ~
 S-404 ~ YELLOW IRIDITE
 S-114 ~ ZINC CHROMATE PRIMER
 S-115 ~ TMC SMOOTH GREY ENAMEL
 OR PRIME & PAINT TO CUST. SPECIFICATIONS.
 FRONT & EDGES ONLY



ISSUE	ITEM	CHANGED FROM	DATE	CN. NO.	DRAFTS	CHECKER	ENG. APP.
D	1	1 3/4" dims were 2"	11-16-64	3461	DM		
C	1	ON "H" DETAIL 1/32 FLAT ADDED	10-24-68	3246	DM		
B	1	"E" DETAIL ROTATED	9-16-68	+	CS		
A	1	(8) SLOTS RELOCATED	6-16-68	2491	CS		

ALL OTHERS	DEC. DIM. ±	FRAC. DIM. ±	ANGULAR DIM. ±	SCALE:	DRILL, PUNCH, COMMERCIAL STOCK SIZES AND MANUFACTURERS TOLERANCES ARE NOT INCLUDED.
		± 1/64			

REQ. PER UNIT	MODEL	PROJECT NO.	ABBY. NO.	DATE
1	CPP-2			8-26-59

REQ. ITEM		PART NO.		DESCRIPTION		SYMBOL	
3/16				THE TECHNICAL MATERIEL CORP. MAMARONECK, NEW YORK			
STOCK SIZE				FRONT PANEL			
ALUMINUM				MACHINING			
MATERIAL				WEIGHT PER FC.			
TYPE & TEMPER				DRAWN		ELEC. DES. APP.	
				CHECKED		MECH. DES. APP.	
HEAT TREAT. SPEC.				FINAL APPROVAL			
IRIDITE-TMC-GREY							
FINISH & SPEC. NO.				MS-1853		D	

MS-1853
 D