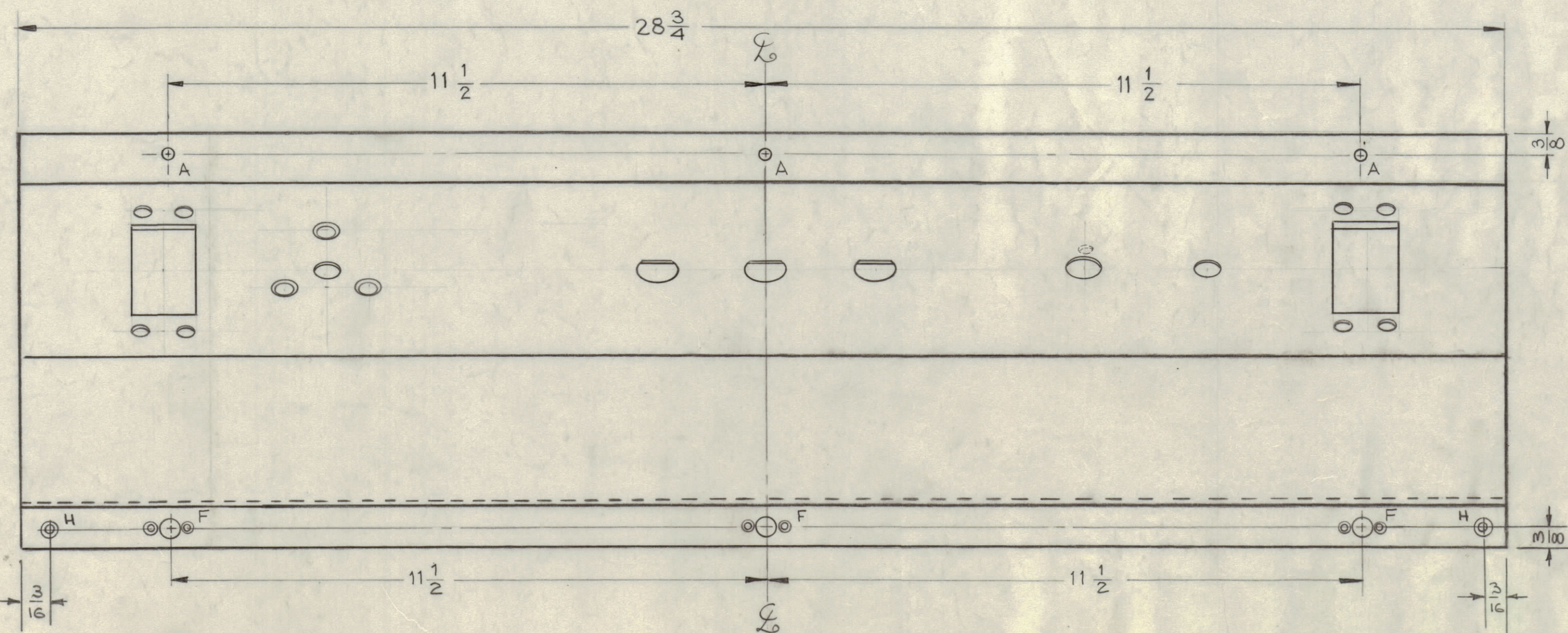
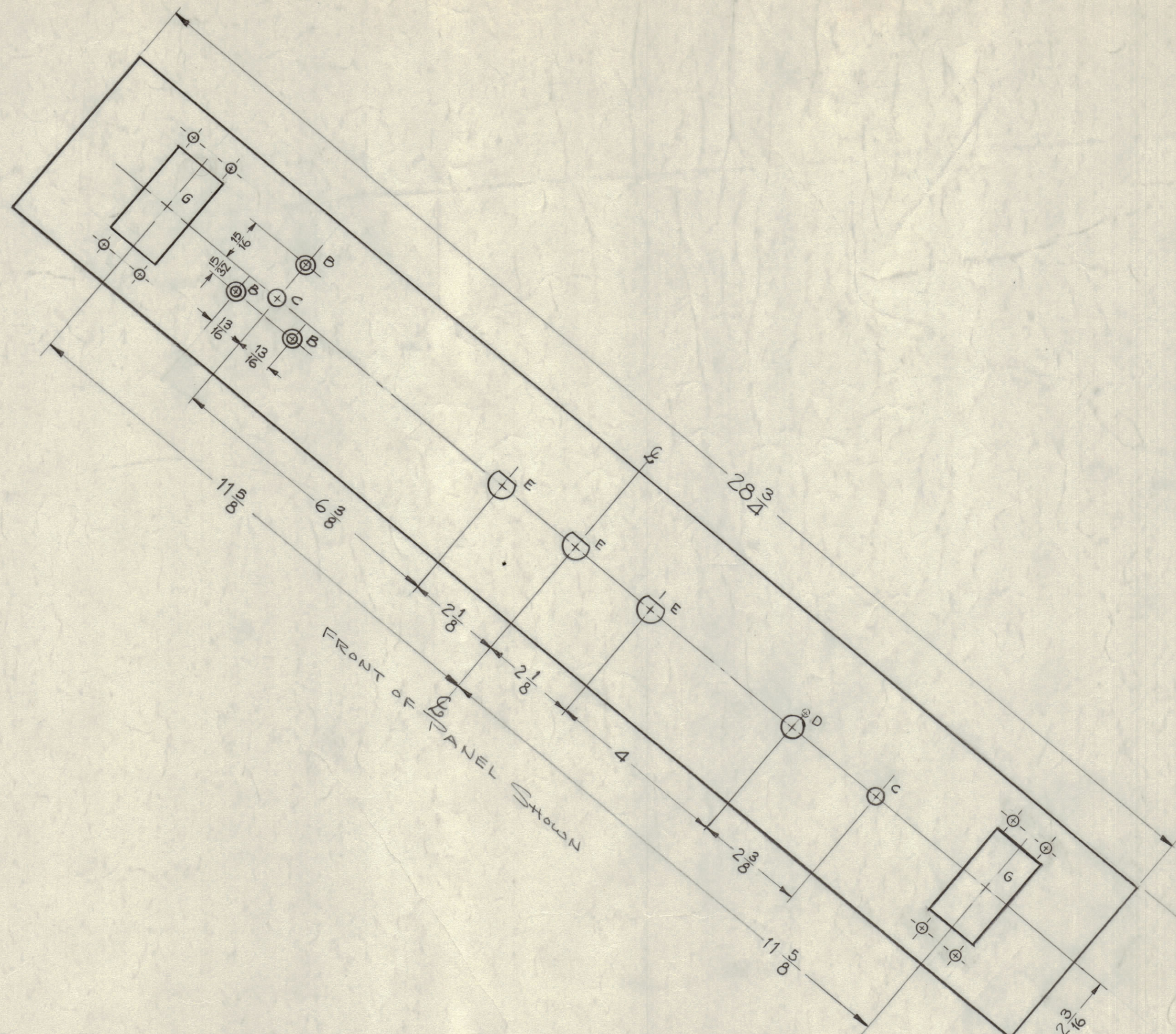


IF IT IS FOUND DESIRABLE TO CHANGE ANY TOLERANCE OR OTHER DETAIL SPECIFIED ON THIS DRAWING NOTIFY THE PURCHASER PROMPTLY.  
 MAXIMUM ALLOWABLE TOLERANCES HAVE BEEN DETERMINED AND DEVIATIONS WILL BE CAUSE FOR REJECTION. REMOVE ALL BURRS AND SHARP EDGES

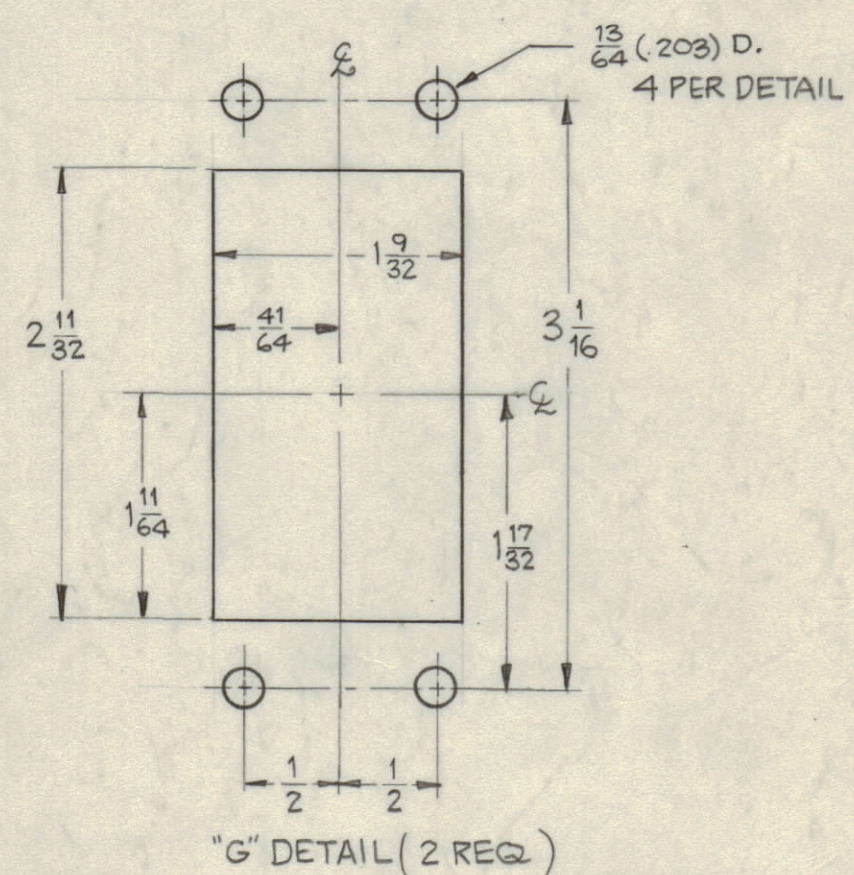
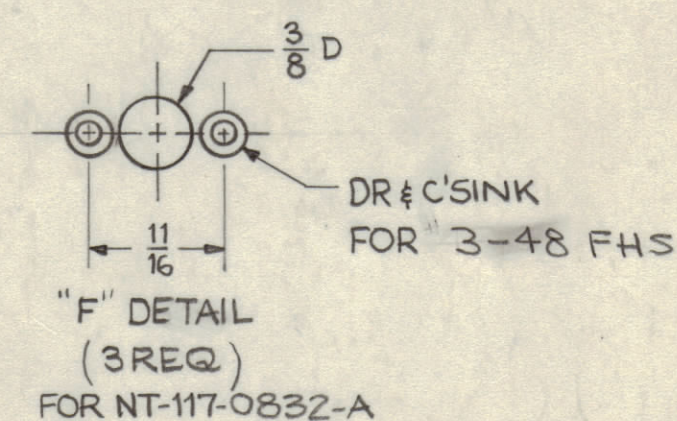
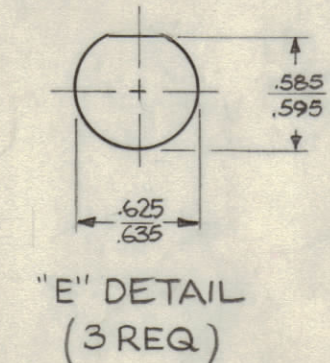
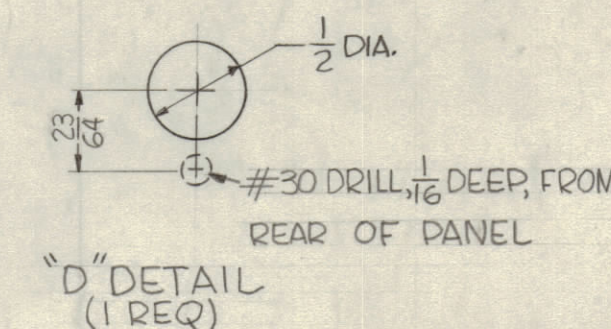
**NOTICE TO PERSONS RECEIVING THIS DRAWING**

THE TECHNICAL MATERIEL CORPORATION claims proprietary right in the material disclosed hereon. This drawing is issued in confidence for engineering information only and may not be reproduced or used to manufacture anything shown hereon without permission from THE TECHNICAL MATERIEL CORPORATION to the user. This drawing is loaned for mutual assistance and is subject to recall at any time.

Property of:  
 THE TECHNICAL MATERIEL CORPORATION  
 MAMARONECK, NEW YORK

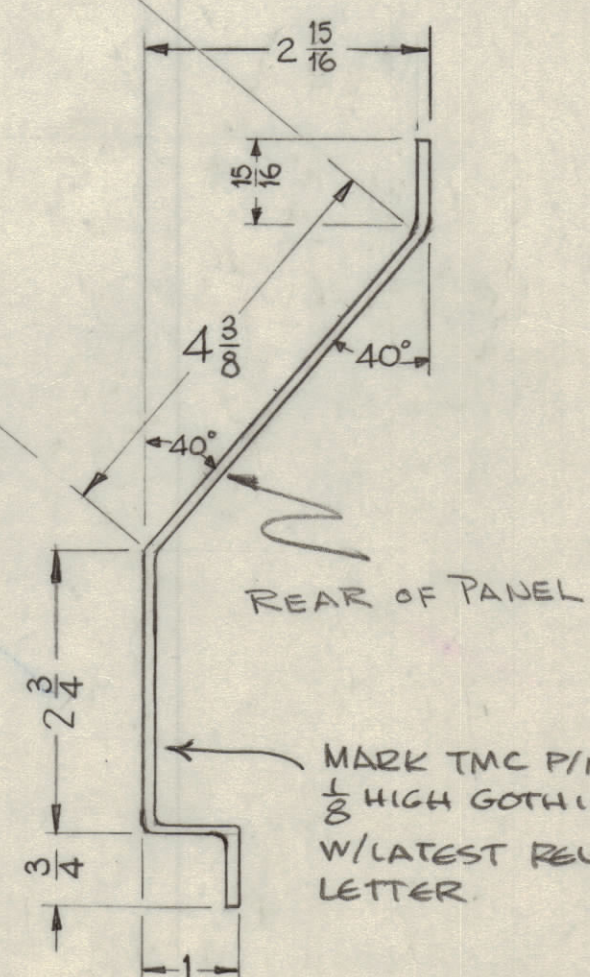


HOLES	REQ
A ~ 13/64 (.203) DIA.	3
B ~ 3/16 C'SINK FOR #10 FHS	3
C ~ 3/8 (.375) DIA.	2
D ~ SEE DETAIL	1
H - DRILL & C'SINK FOR 6-32 FHS	2 REQ



**MACHINING ~**  
 1~ LATERAL BOW OF PANEL MUST BE KEPT TO .031 TOLERANCE.  
 2~ MILL ALL EDGES.  
 3~ HOLES MUST BE DRILLED.  
 4~ PANEL MUST BE FREE OF ALL MACHINING MARKS GOUGES AND SCRATCHES IF NECESSARY SAND FRONT OF PANEL WITH No.120 GRIT SANDPAPER.

**FINISH ~**  
 S404 YELLOW IRIDITE  
 S114 ZINC CHROMATE PRIMER FRONT &  
 S115 TMC SMOOTH GREY ENAMEL EDGES ONLY



LD 2043  
 LD-674 Engraving  
 LD-674 Lettering, Rpt

ISSUE	ITEM	CHANGED FROM	DATE	CH. NO.	DRAFTER	CHECKER	ENG. APP.
C	1	DELE LD-674 REF. ADDING P/W	3-3-67	12875	HLA	HLA	
B	1	CLERICAL CHANGE	1-25-66	*	HLA		
A	1	D DETAIL ADDED	5-15-62	6703	ER		

ALL OTHERS	DEC. DIM. ±	FRAC. DIM. ±	ANGULAR DIM. ±	DRILL PUNCH COMMERCIAL STOCK SIZES AND MANUFACTURERS TOLERANCES ARE NOT INCLUDED.
------------	-------------	--------------	----------------	---

REQ. PER UNIT	MODEL	PROJECT NO.	ASSY. NO.	DATE
1	KIT180	GPT-40K		1-25-66
1	AX-213			1-15-60

REQ. ITEM	PART NO.	DESCRIPTION	SYMBOL
1	1/8 THK. ALUMINUM	THE TECHNICAL MATERIEL CORP. MAMARONECK, NEW YORK	
1	5052-H32	PANEL, FRONT (MAIN CONTROL PANEL, PS FRAME)	
1	SEE NOTE		

MS-1948 C

MS 1948 C