

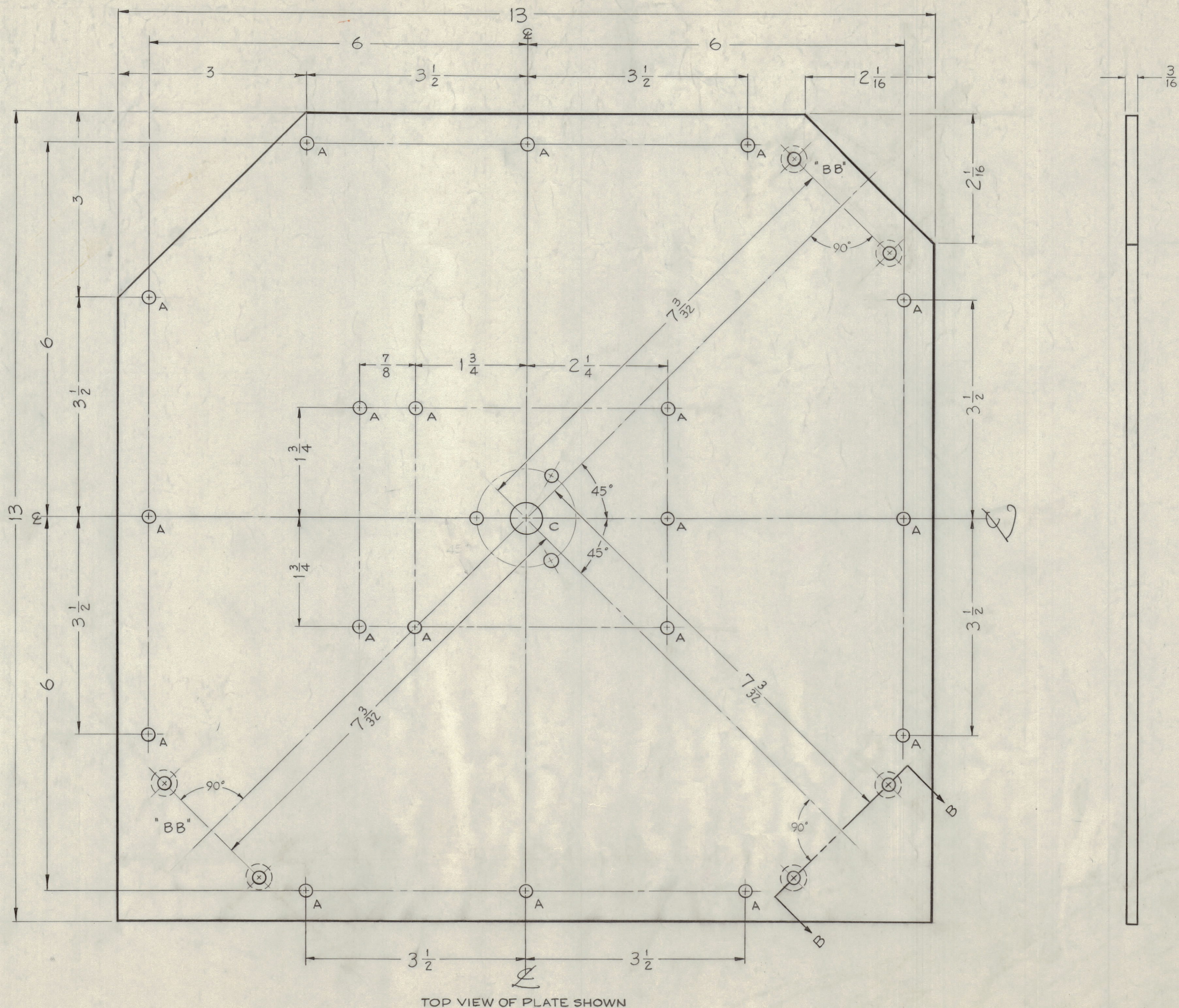
IF IT IS FOUND DESIRABLE TO CHANGE ANY TOLERANCE OR OTHER DETAIL SPECIFIED ON THIS DRAWING NOTIFY THE PURCHASER PROMPTLY.

MAXIMUM ALLOWABLE TOLERANCES HAVE BEEN DETERMINED AND DEVIATIONS WILL BE CAUSE FOR REJECTION. REMOVE ALL BURRS AND SHARP EDGES.

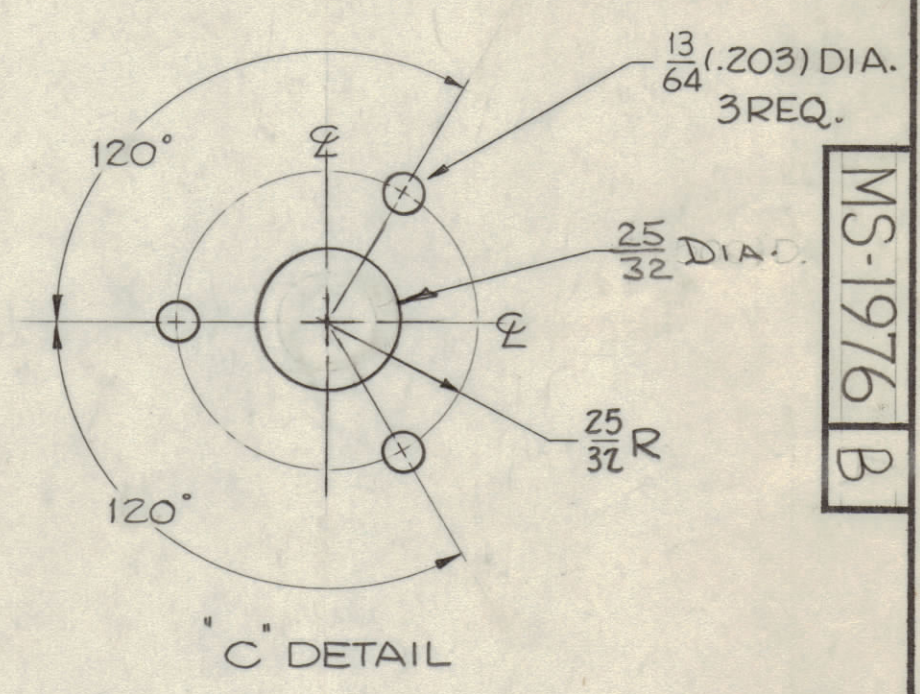
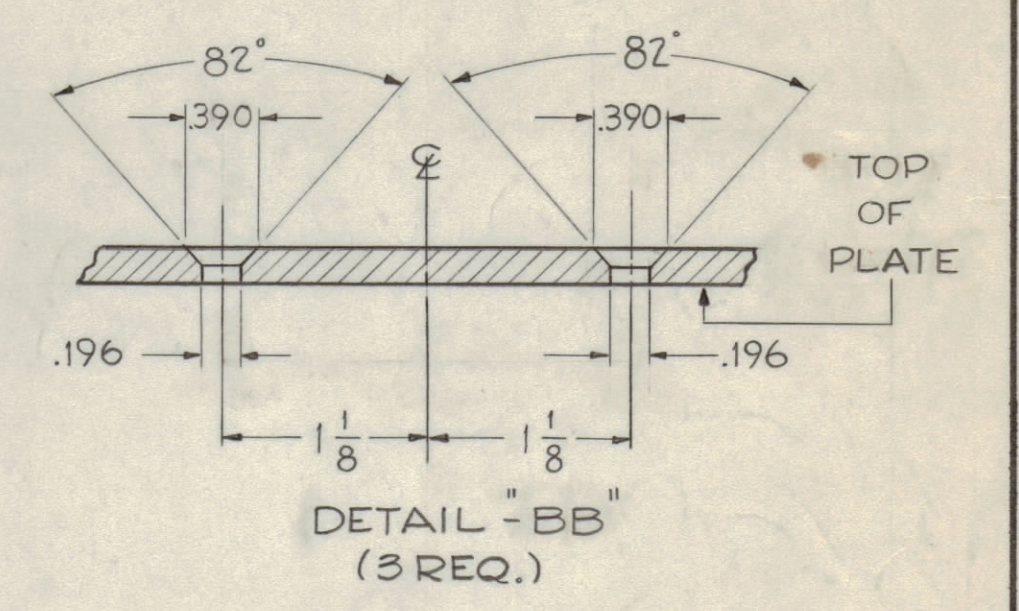
**NOTICE TO PERSONS RECEIVING THIS DRAWING**

THE TECHNICAL MATERIEL CORPORATION claims proprietary right in the material disclosed hereon. This drawing is issued in confidence for engineering information only and may not be reproduced or used to manufacture anything shown hereon without permission from THE TECHNICAL MATERIEL CORPORATION to the user. This drawing is loaned for mutual assistance and is subject to recall at any time.

Property of:  
 THE TECHNICAL MATERIEL CORPORATION  
 MAMARONECK, NEW YORK



HOLES ~  
 A ~ 13/64 (.203) DIA. 19 REQ.



MS-1976 B

NOTE: MS-1976 WILL NO LONGER BE USED ON NEW QUN. OF OPT. 40K. BUT MAY BE USED AS SPARE PART REPLACEMENT. (ON NEW 40K'S USE MS-248 B)

B	2	(OK MODEL) KIT-104 ADDED	1-26-62	6242	G.D.L.	
	1	(MS-1976 NO LONGER BE USED) NOTE DELETED				
A	1	Note Added	12/8/60	3665	J.M.	
ISSUE	ITEM	CHANGED FROM	DATE	CH. NO.	DRAFTS	CHECKER
TOLERANCES		SCALE: (DO NOT SCALE)				
ALL OTHERS	DEC. DIM. ± 1/64	DRILL, PUNCH, COMMERCIAL STOCK SIZES AND MANUFACTURERS TOLERANCES ARE NOT INCLUDED.				

1	KIT-104			1-18-62
1	AX-209	GPT-40K		1-23-60
REQ PER UNIT	MODEL	PROJECT NO.	ASSY. NO.	DATE

REQ. ITEM	PART NO.	DESCRIPTION	SYMBOL
	3/16 THICK	THE TECHNICAL MATERIEL CORP. MAMARONECK, NEW YORK	
	ALUMINUM	PLATE, PA BAND SWITCH	
	Z024-T3		
	TYPE & TEMPER	John C. Biela	03
		DRAWN	ELEC. DES. APP.
		CHECKED	MECH. DES. APP.
		FINAL APPROVAL	
		MS-1976 B	