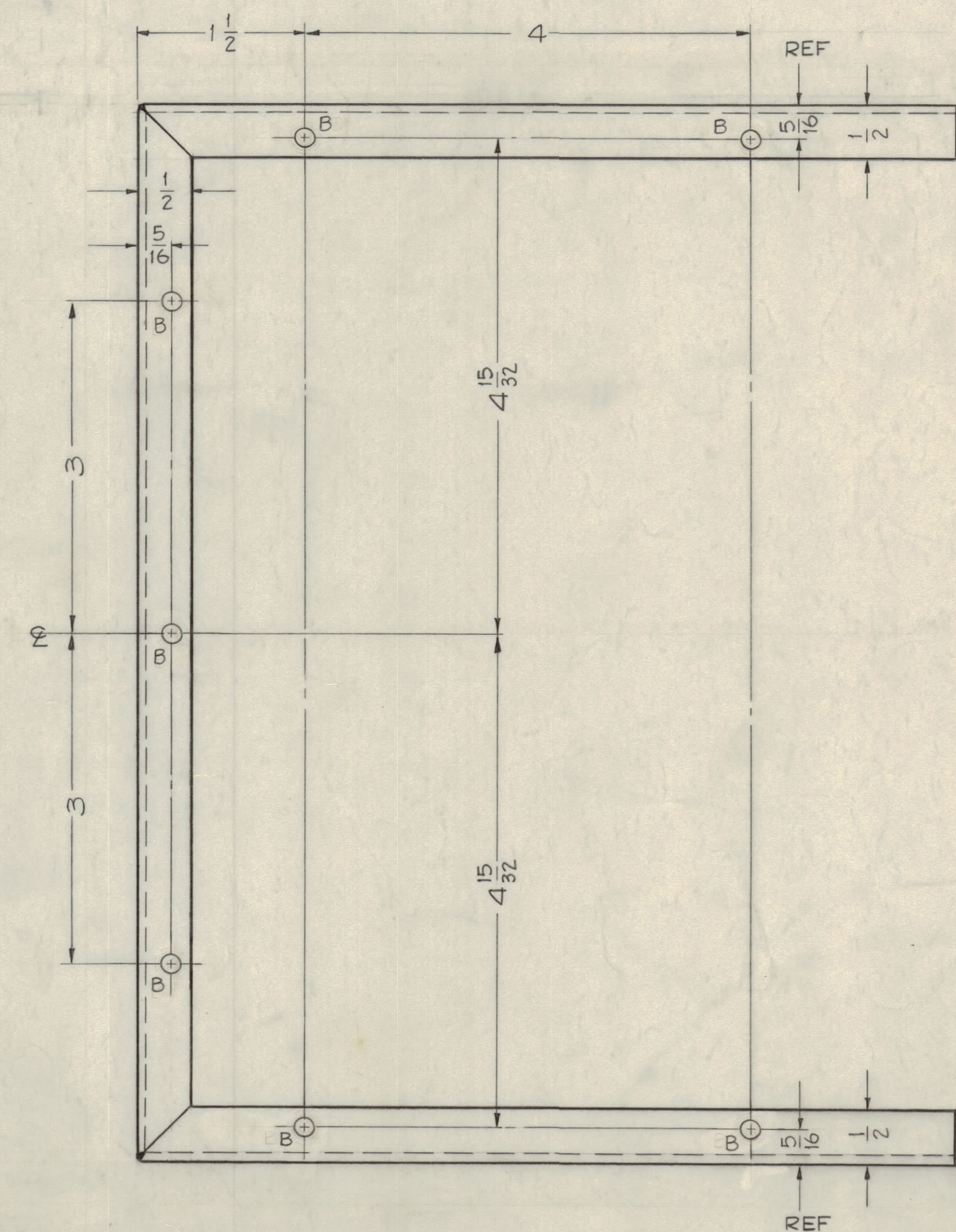
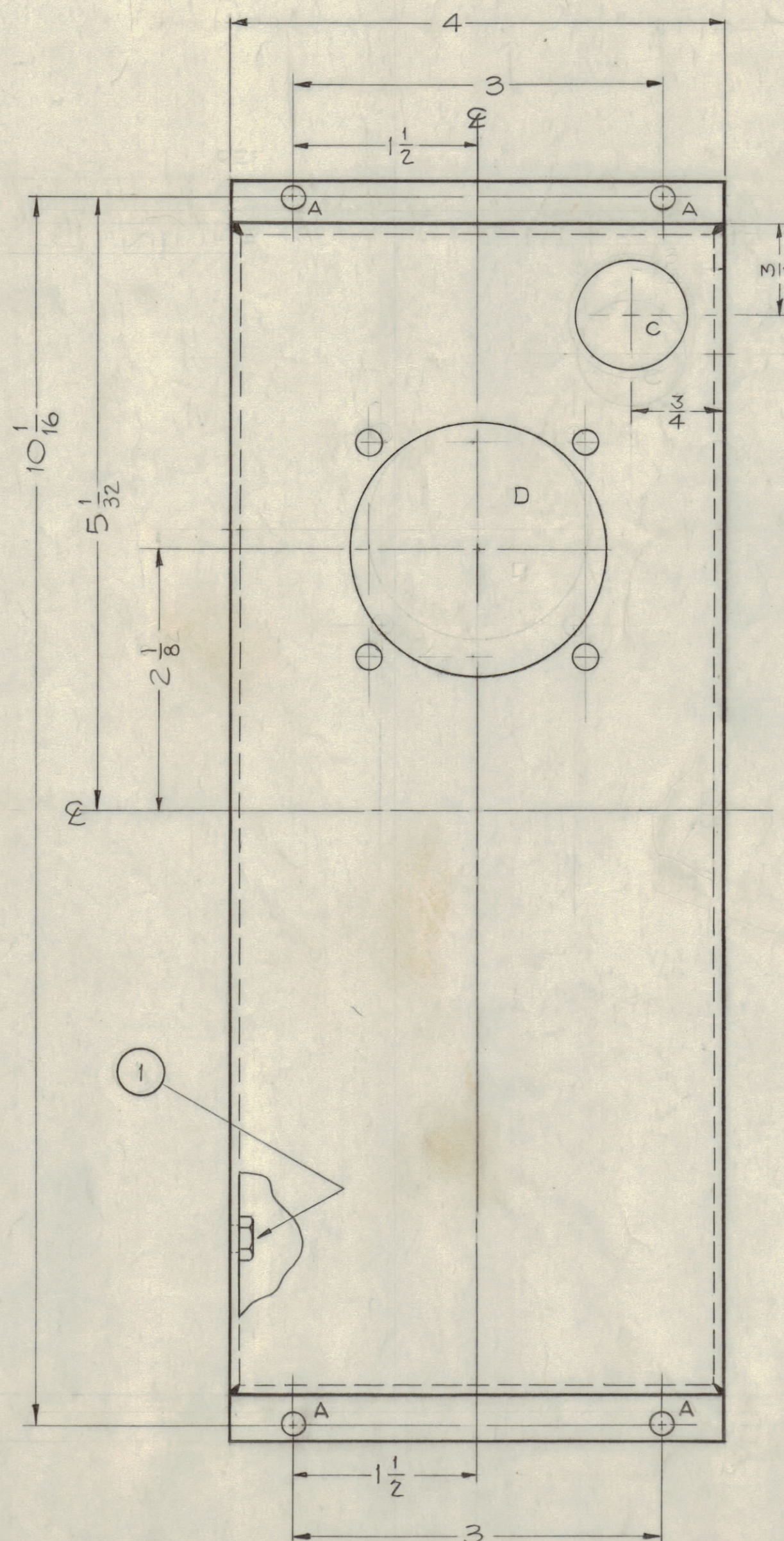
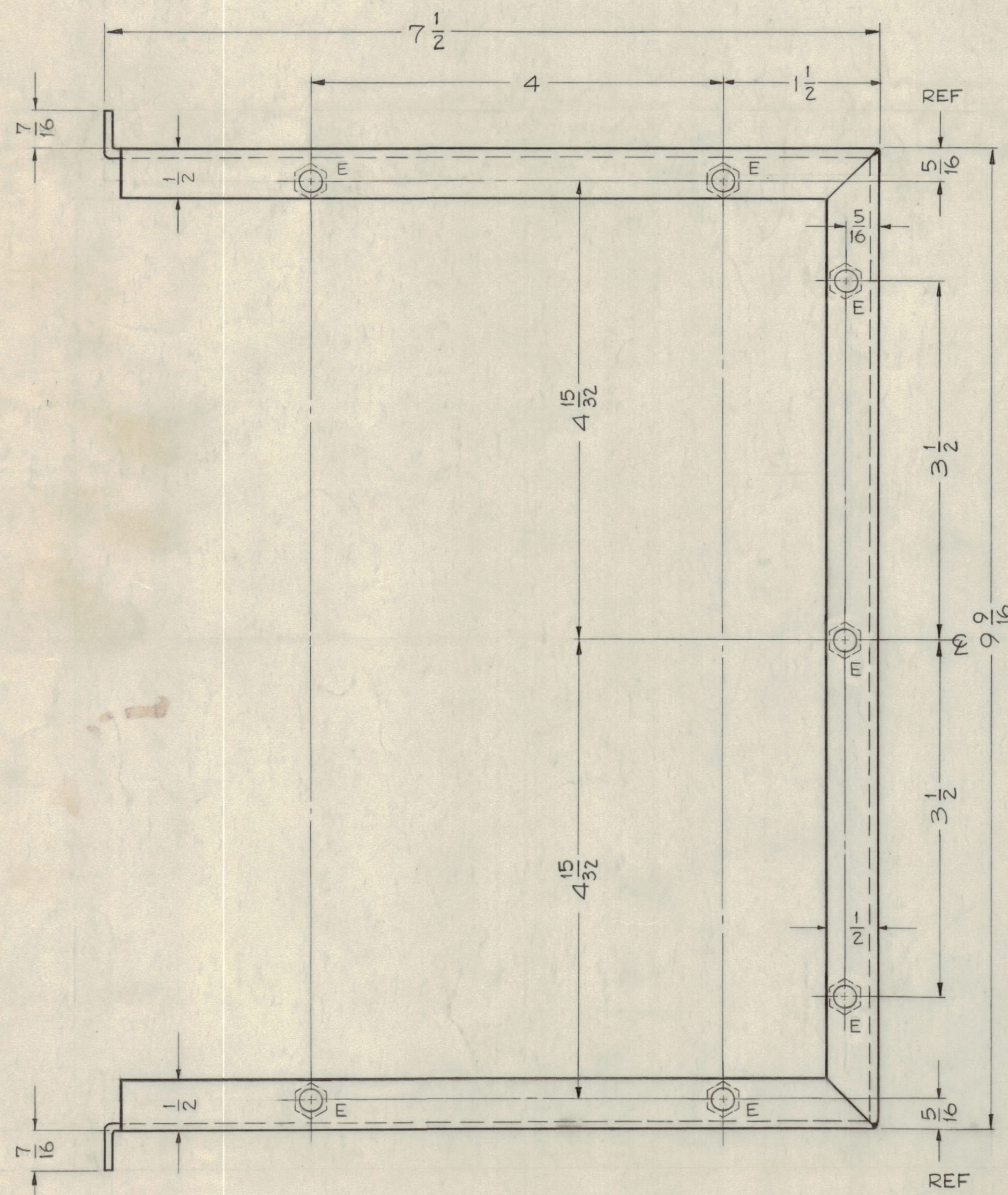


IF IT IS FOUND DESIRABLE TO CHANGE ANY TOLERANCE OR OTHER DETAIL SPECIFIED ON THIS DRAWING NOTIFY THE PURCHASER PROMPTLY.
 MAXIMUM ALLOWABLE TOLERANCES HAVE BEEN DETERMINED AND DEVIATIONS WILL BE CAUSE FOR REJECTION. REMOVE ALL BURRS AND SHARP EDGES

NOTICE TO PERSONS RECEIVING THIS DRAWING

THE TECHNICAL MATERIEL CORPORATION claims proprietary right in the material disclosed hereon. This drawing is issued in confidence for engineering information only and may not be reproduced or used to manufacture anything shown hereon without permission from THE TECHNICAL MATERIEL CORPORATION to the user. This drawing is loaned for mutual assistance and is subject to recall at any time.

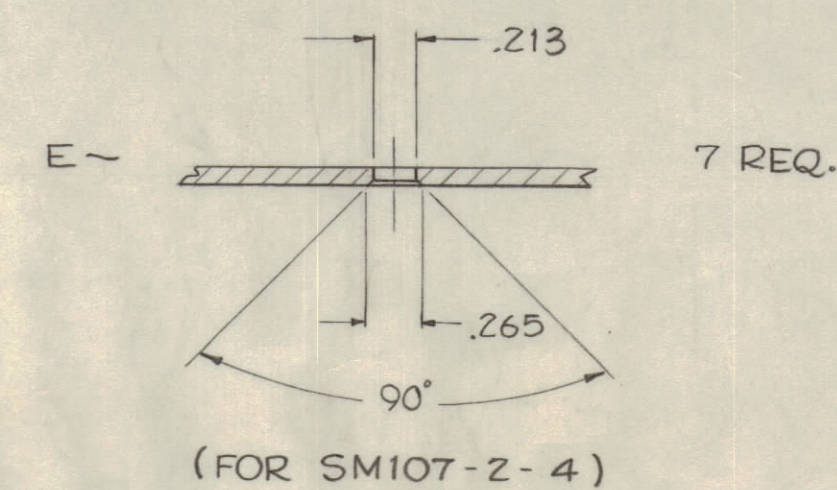
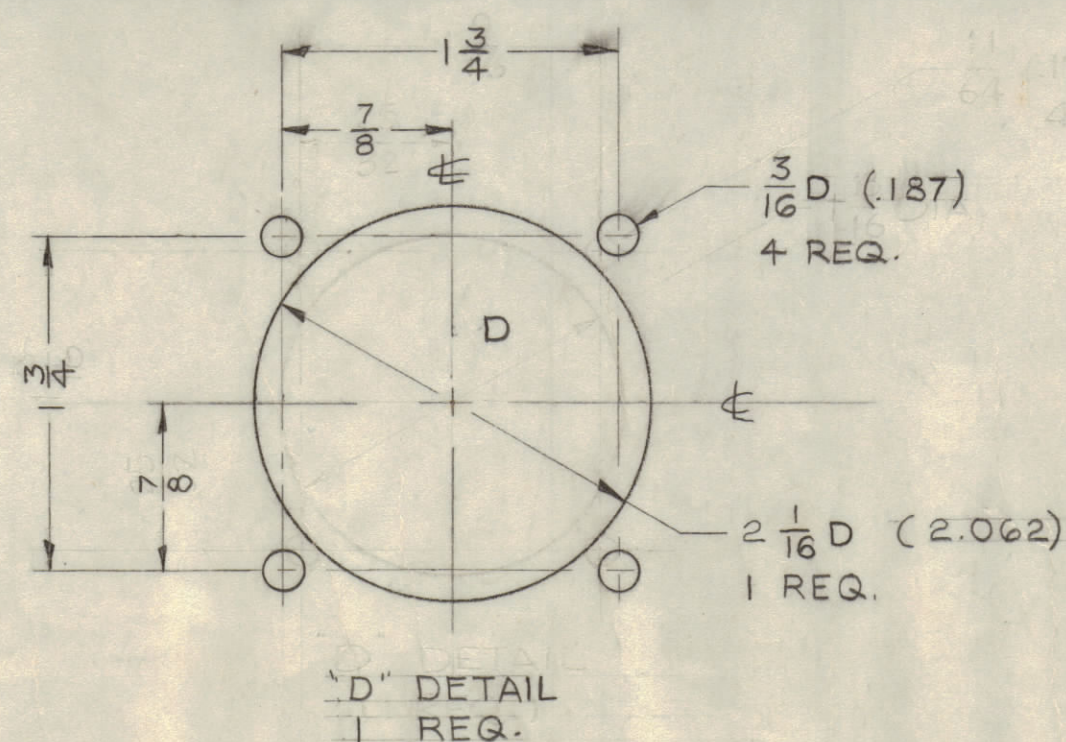
Property of:
 THE TECHNICAL MATERIEL CORPORATION
 MAMARONECK, NEW YORK



MS-2022

HOLES ~

- A ~ 7/32 (.218) DIA. 4 REQ.
- B ~ 11/64 (.171) DIA. 7 REQ.
- C ~ 7/8 (.875) DIA. 1 REQ.



REF ~ TMC DWG NO. LD-803 (4)

7	1	SM107-2-4	INSERT, HEXAGON	
REQ. ITEM	PART NO.	DESCRIPTION	SYMBOL	
.081		THE TECHNICAL MATERIEL CORP. MAMARONECK, NEW YORK		
ALUMINUM		WRAPAROUND,		
5052 - H-32		BLOWER CONTACTOR (PA FRAME)		
		John C. Biele	ch	
		DRAWN	ELEC. DES. APP.	MECH. DES. APP.
		CHECKED		
		HEAT TREAT. SPEC.		
		3404 - IRIDITE		
		FINISH & SPEC. NO.		
				MS-2022

ISSUE	ITEM	CHANGED FROM	DATE	CN. NO.	DRAFTS	CHECKER	ENG. APP.
TOLERANCES							
ALL	DEC. DIM.	±	SCALE: FULL (DO NOT SCALE)				
OTHERS	FRAC. DIM.	±	DRILL, PUNCH, COMMERCIAL STOCK				
	ANGULAR DIM.	±	SIZES AND MANUFACTURERS				
			TOLERANCES ARE NOT INCLUDED				

AP-102	GPT 40K	2-10-60
REQ. PER UNIT	MODEL	PROJECT NO.
		DATE
		ASBY. NO.
		USED ON