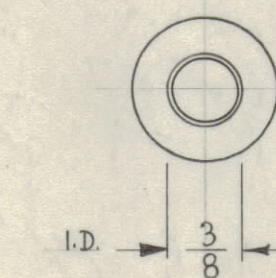
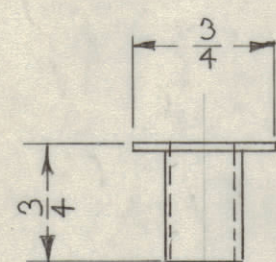
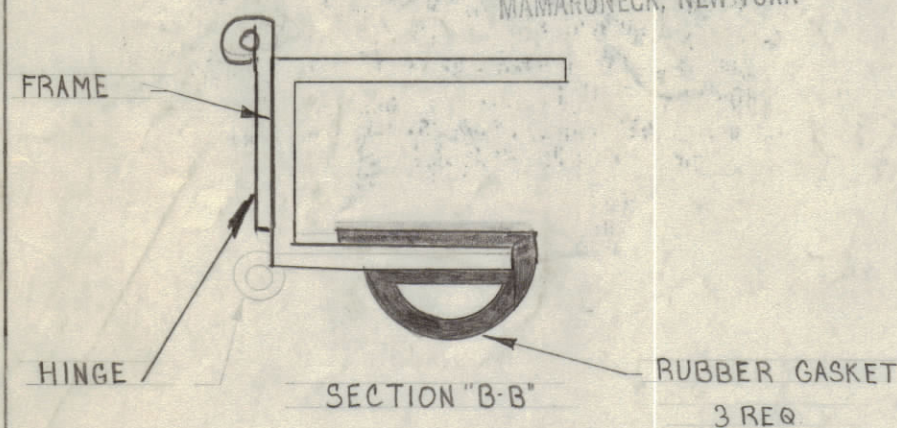


NOTICE TO PERSONS RECEIVING THIS DRAWING

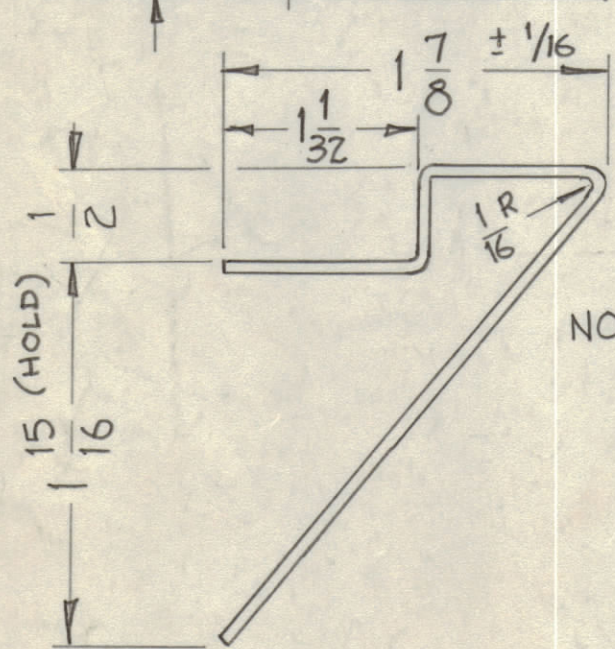
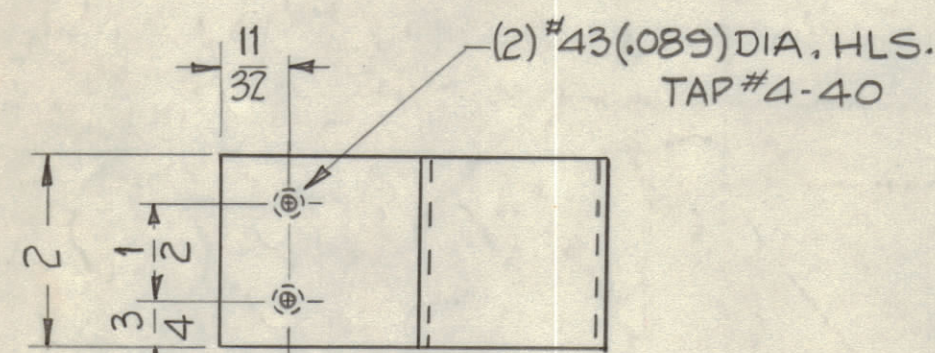
THE TECHNICAL MATERIEL CORPORATION claims proprietary right in the material disclosed herein. This drawing is issued in confidence for engineering information only and may not be reproduced or used to manufacture anything shown herein without permission from THE TECHNICAL MATERIEL CORPORATION to the user. This drawing is loaned for mutual assistance and is subject to recall at any time.

Property of:

THE TECHNICAL MATERIEL CORPORATION
MANHATTAN, NEW YORK



FLANGED PIPE
MATERIAL - 20 GAUGE STEEL
2 REQ.

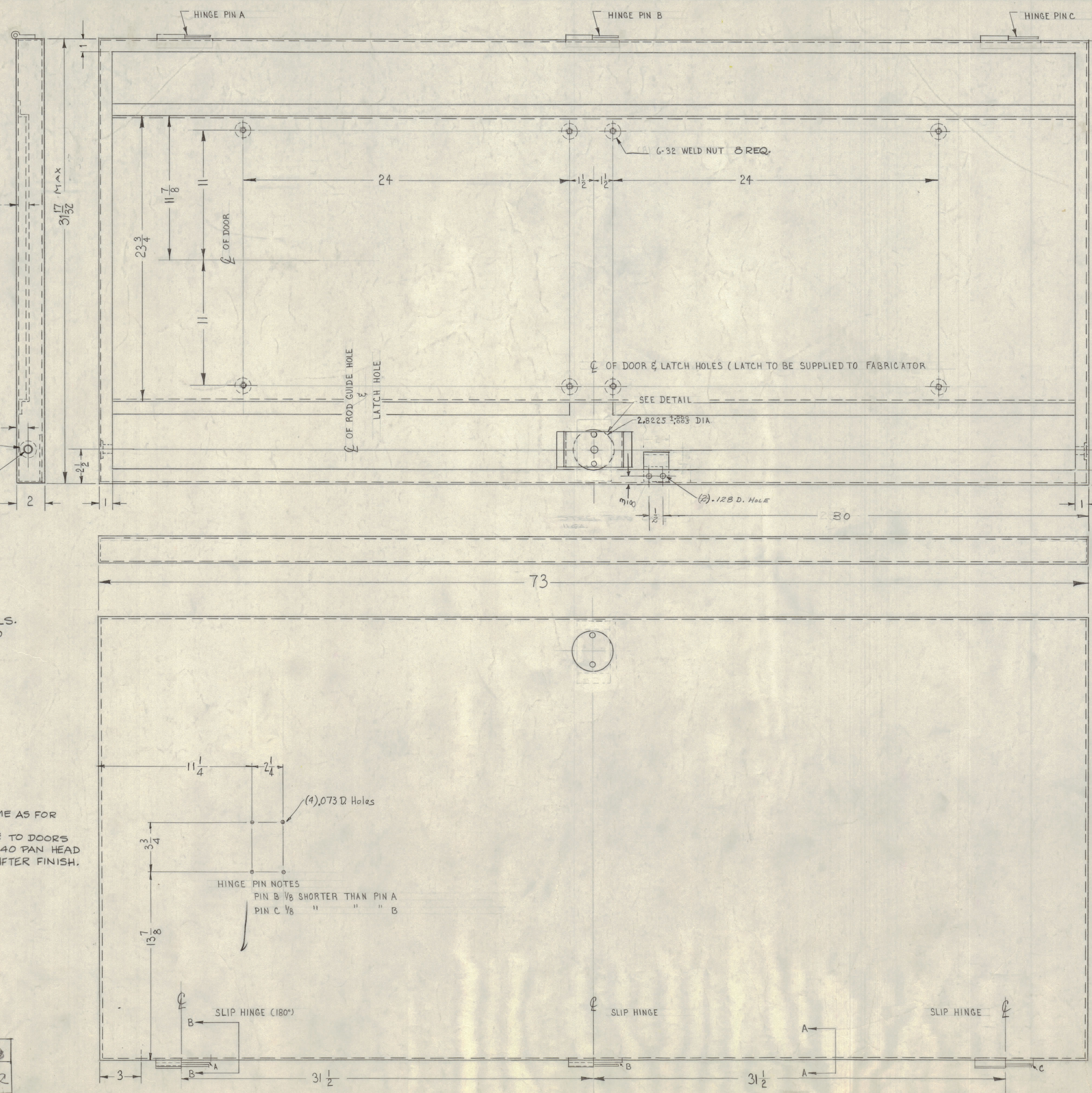


NOTE~
1) FINISH: SAME AS FOR DOORS.
2) ASSEMBLE TO DOORS USING 4-40 PAN HEAD SCREWS AFTER FINISH.

DOOR CLIP DETAIL

UNLESS OTHERWISE SPECIFIED DIMENSIONS ARE IN INCHES AND INCLUDE CHEMICALLY APPLIED OR PLATED FINISHES	
DECIMALS	± .01
FRACTIONS	± 1/64
ANGLES	± .01
TOLERANCES	± .005

ISSUE	ITEM	CHANGED FROM	DATE	CH. NO.	DRAFTS	CHECKER	ENG. APP.
C	3	(4) .073 Dia Holes added	6/9/61	5010	JDM	OKB	80
	1	(3) 1/8 Dia Holes added					
B	3	(2) 1/2 Dia Holes added	6/11/60	2470	JDM	JLE	MR
	2	Door clip added					
	1	width 3/16 was 3/8					
A	1	ADDED PER CUSTOMER SPEC.	5/25/61	2574	JDM		JW

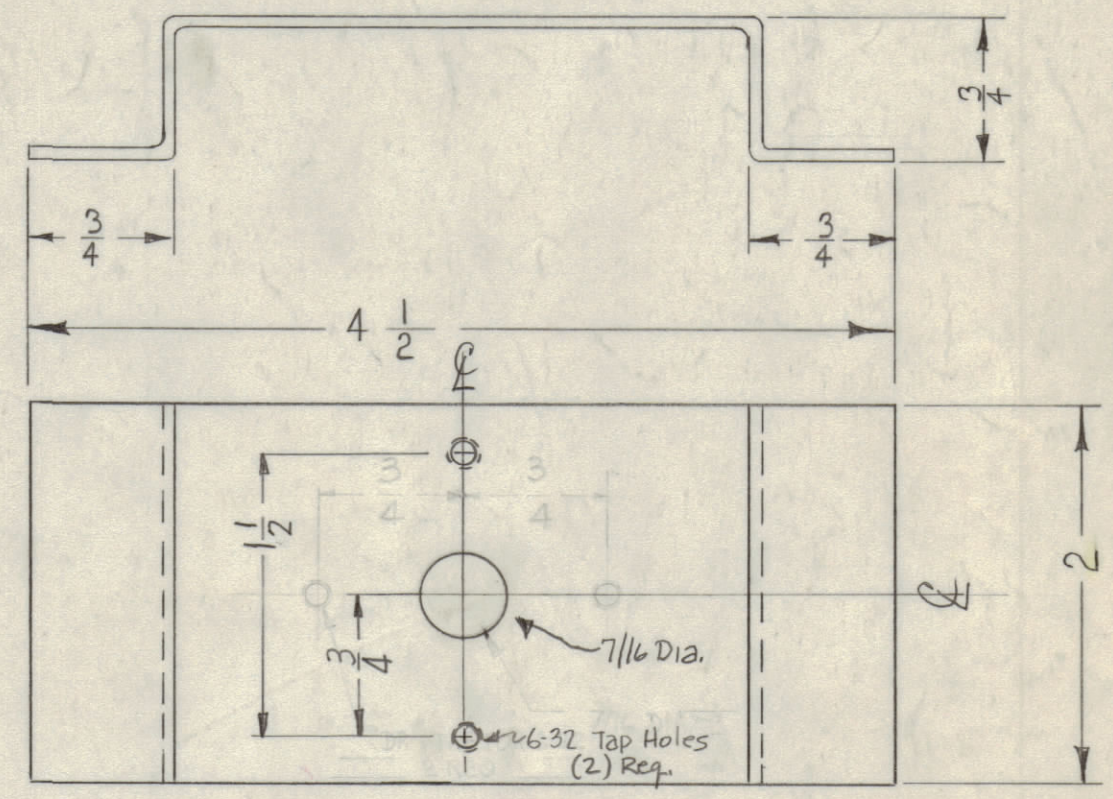
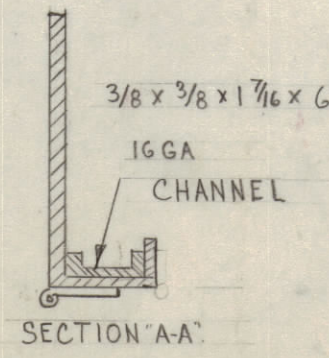


HINGE PIN NOTES
PIN B 1/8 SHORTER THAN PIN A
PIN C 1/8 " " " B

SLIP HINGE (180°)

SLIP HINGE

SLIP HINGE



MATERIAL - 3/32 THICK FORMED STEEL

FINISH NOTE:
DEGREASE & PREPARE SURFACE FOR FOLLOWING

STYL. PART NO.	PRIMER OR DIP	FINISH
2-2-27-1	5114 ZINC CHROMATE	5220-RCAF BLUE GREY

5114-ZINC CHROMATE PRIMER
5220-RCAF BLUE GREY or PRIME & PAINT PER CUSTOMERS SPEC.

HINGES 2" MIN STEEL
7/8" LEAF
3/32" MIN PIN STEEL

SUITABLE GASKET TO BE ATTACHED TO OUTSIDE SURFACE OF 1" RETURN SEE DETAIL 'B-B'

HA-114-1
REF PM-531-A-36.56
PO-186-1

MATERIAL	QUANTITY	DESCRIPTION	REMARKS
STEEL	22 TO 20 GAUGE	DOOR, REAR	

QTY	MODEL	PROJECT NO.	DATE
2	GPT-40K	AX-214	2-12-60

SEE NOTE MS-2037 C