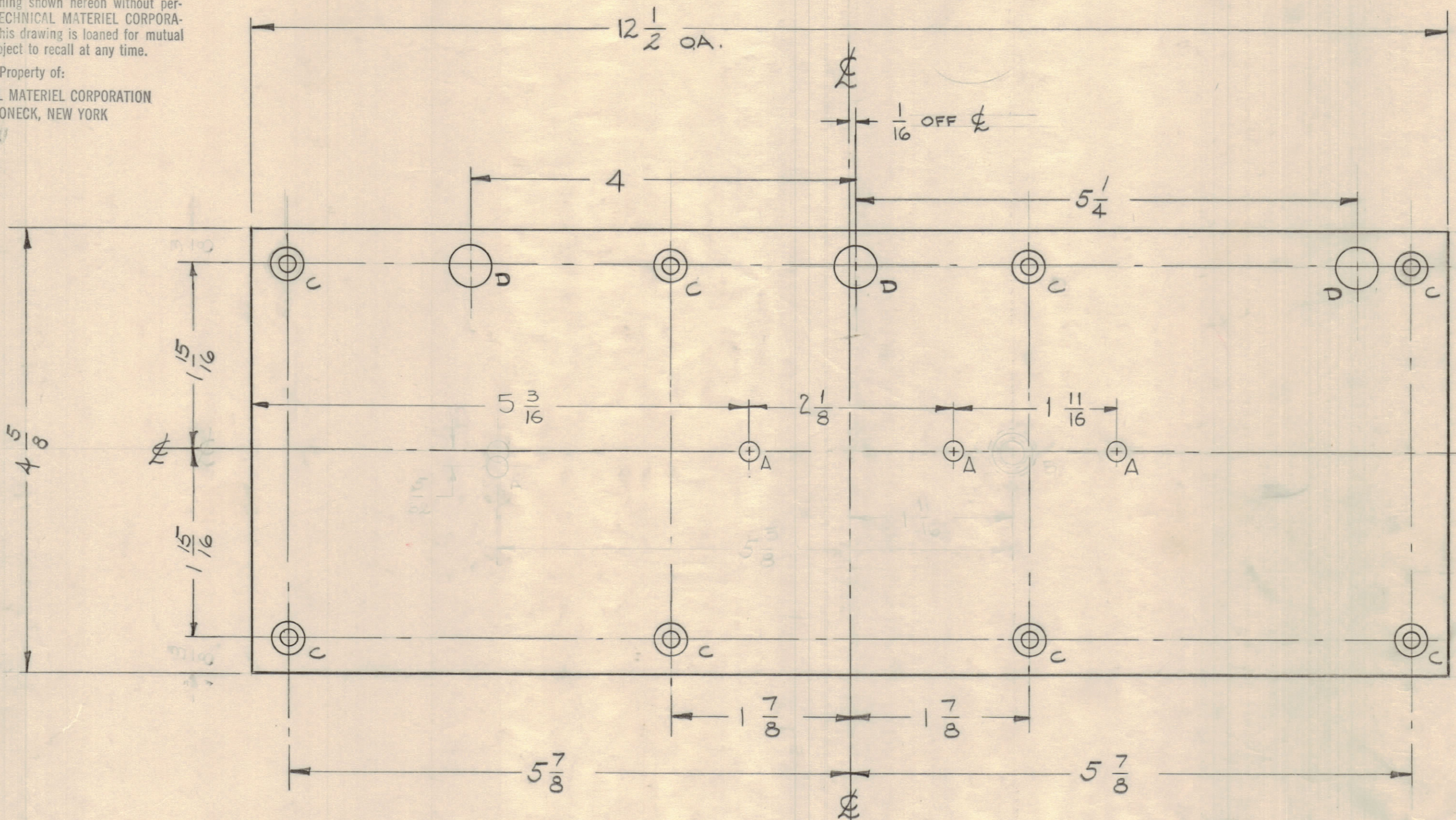


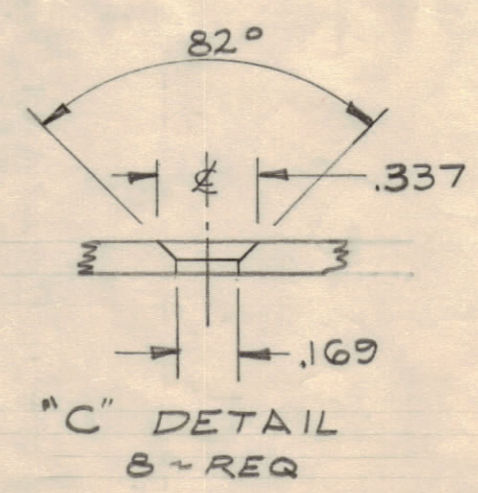
NOTICE TO PERSONS RECEIVING THIS DRAWING

THE TECHNICAL MATERIEL CORPORATION claims proprietary right in the material disclosed hereon. This drawing is issued in confidence for engineering information only and may not be reproduced or used to manufacture anything shown hereon without permission from THE TECHNICAL MATERIEL CORPORATION to the user. This drawing is loaned for mutual assistance and is subject to recall at any time.

Property of:
THE TECHNICAL MATERIEL CORPORATION
MAMARONECK, NEW YORK



- A ~ 7/32 DIA. 3 REQ.
- B - DELETED
- C ~ DRILL & C'SINK FOR 8-32 (SEE DETAIL) 8 REQ.
- D ~ 7/16 DIA. 3 REQ.



ISSUE	ZONE	DESCRIPTION	DATE	CH. NO.	DRAFTS	CHECKER	ENG. APP.
B	A-4	ADDED '1, TIS-3	2-4-64	10815	A-M	TR	[Signature]
A	E4	Ø B. HOLE .413 DIA. DELETED	6-22-61	5113	RD	[Signature]	[Signature]
A	E4	Ø A. HOLE RELOCATED, 2 A HOLES ADDED					

TOLERANCES: SCALE: DO NOT SCALE

DEC. DIM. ±
FRAC. DIM. ±
ANGULAR DIM. ±

MAXIMUM ALLOWABLE TOLERANCES HAVE BEEN DETERMINED AND ANY DEVIATIONS WILL BE CAUSE FOR REJECTION. REMOVE ALL BURRS AND SHARP EDGES

REQ PER UNIT	MODEL	SECTION	ASSY. NO.	DATE
1	TIS-3			2-4-64
1	AFC-1			7-22-60

REQ. ITEM	PART NO.	DESCRIPTION	SYMBOL
	.064	THE TECHNICAL MATERIEL CORP. MAMARONECK, NEW YORK	
	ALUMINUM	COVER PLATE (POWER SUPPLY)	
	5052-H32		
		TYPE & TEMPER	
		HEAT TREAT. SPEC.	
		FINISH & SPEC. NO.	
		5404-YEL. IRIDITE	

DRWN: [Signature] ELEC. DES. APP. [Signature] MECH. DES. APP. [Signature]

CHECKED: [Signature] FINAL APPROVAL: [Signature]

MS-2336 B