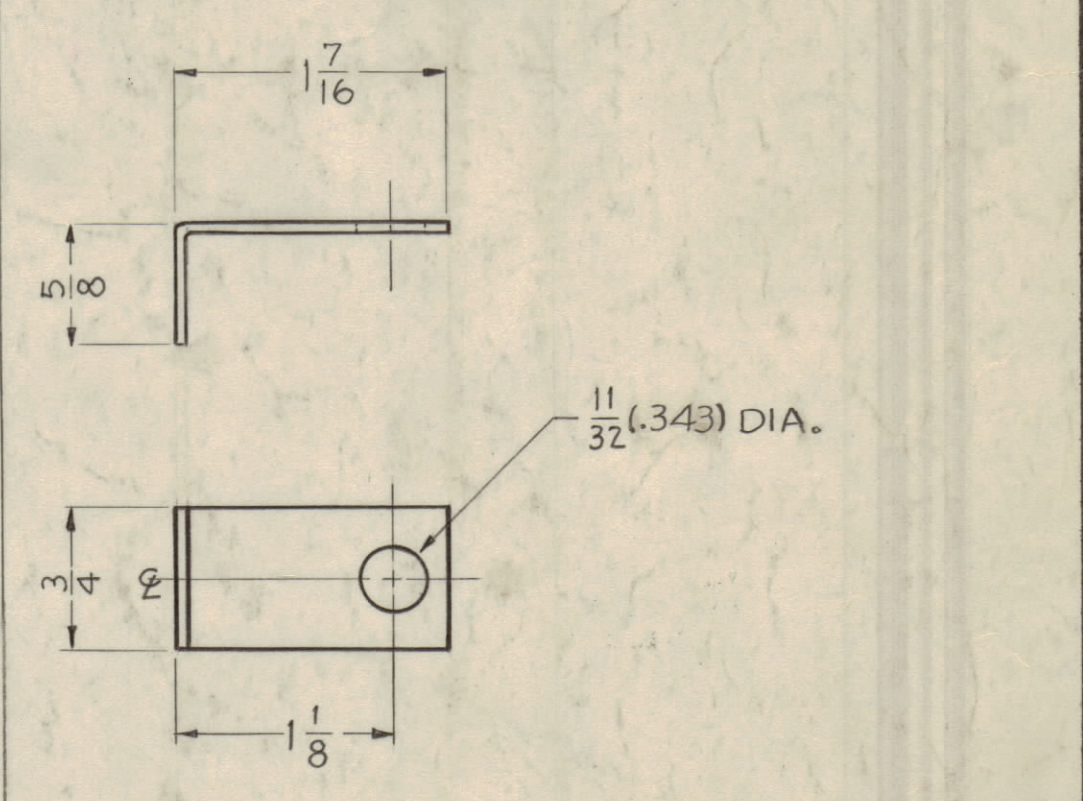
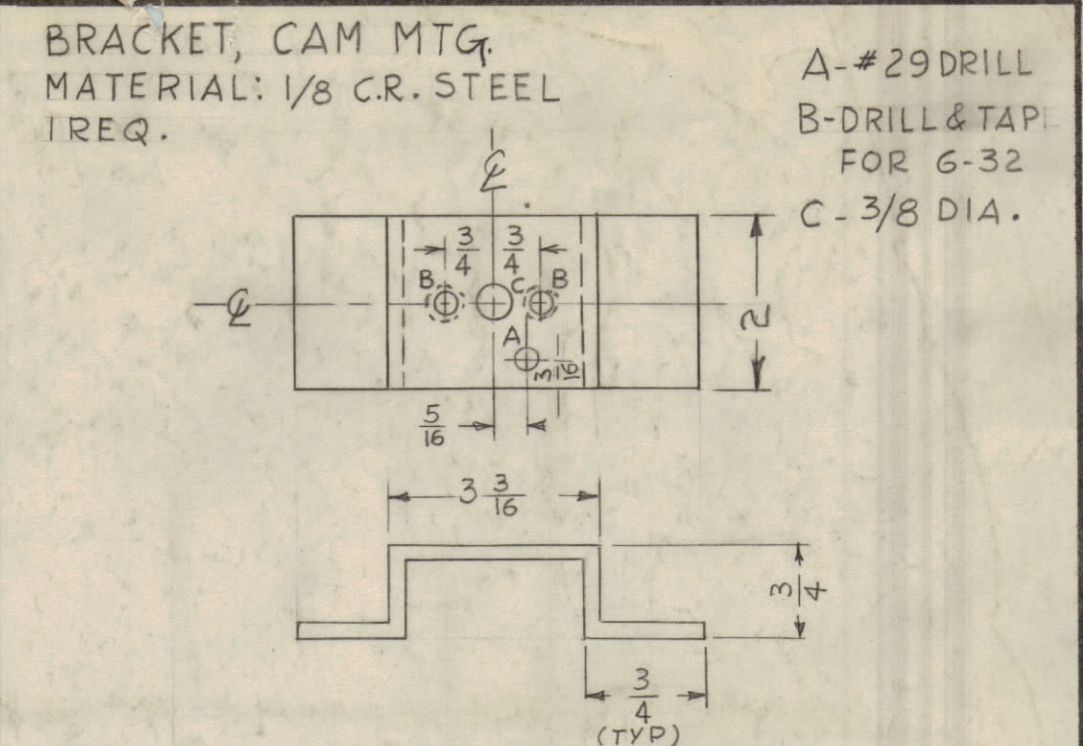
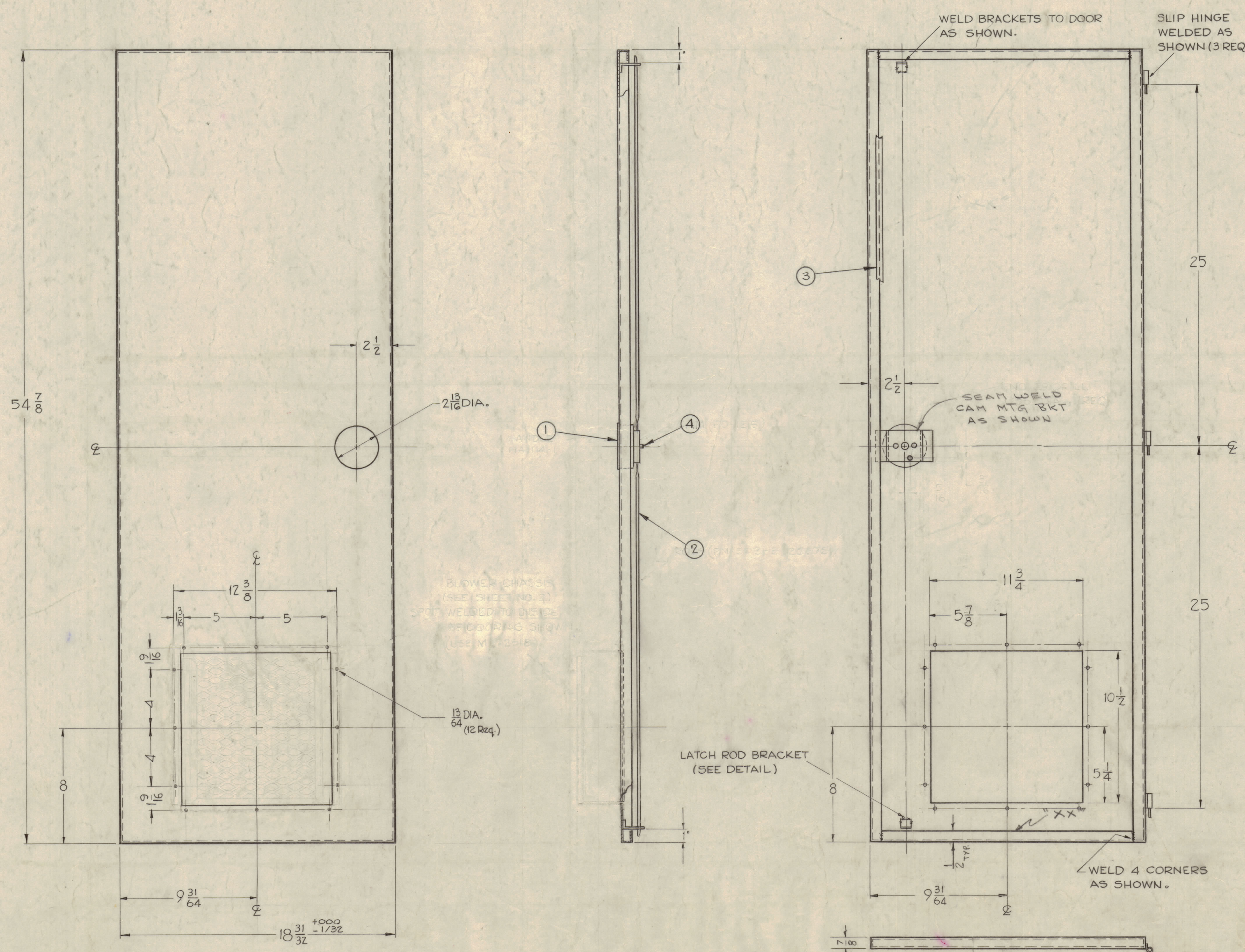


IF IT IS FOUND DESIRABLE TO CHANGE ANY TOLERANCE OR OTHER DETAIL SPECIFIED ON THIS DRAWING NOTIFY THE PURCHASER PROMPTLY.  
 MAXIMUM ALLOWABLE TOLERANCES HAVE BEEN DETERMINED AND DEVIATIONS WILL BE CAUSE FOR REJECTION. REMOVE ALL BURRS AND SHARP EDGES

**NOTICE TO PERSONS RECEIVING THIS DRAWING**

THE TECHNICAL MATERIEL CORPORATION claims proprietary right in the material disclosed hereon. This drawing is issued in confidence for engineering information only and may not be reproduced or used to manufacture anything shown hereon without permission from THE TECHNICAL MATERIEL CORPORATION to the user. This drawing is loaned for mutual assistance and is subject to recall at any time.

Property of:  
 THE TECHNICAL MATERIEL CORPORATION  
 MAMARONECK, NEW YORK



LATCH ROD BRACKET  
 16 GA STEEL  
 (2 REQ.)

NOTE ~ DOOR MUST BE FLAT OR 2° OVERBEND TOWARDS INSIDE, TOP AND BOTTOM.

FINISH NOTE:  
 S114 - ZINC CHROMATE PRIMER.  
 S520 - BLUE-GRAY TEXTURED VINYL PAINT.

H	1	DAK 3/16 DELETED FROM MODEL COLUMN	2-1-45	4	John C. Biele	9/23
G	1	IT. 2 WAS PM-531-B-2075	11-9-64	12926	24	John C. Biele
F	1	ITEM 13 WAS GA-144-122	10-2-64	12501	24	John C. Biele
E	1	FINISH WAS S 254	6/17/64	11556	A.M.	John C. Biele
D	2	HANDLE MTC HOLE WAS 3" DIA BUILDUP ADDED	8-8-63	8948	SE	John C. Biele
C	1	MFK NOTE DELETED				
B	1	PH-531-B-2704 WAS PH-531-B-2075	8-22-62	7097	CS	John C. Biele
A	1	HOLES ADDED ON INSIDE VIEW				
A	1	RAK-12 ADDED ON REF. COLUMN	7-25-62	6936	SE	John C. Biele
A	1	1/8" DIA. MTS. RIDGES				
A	1	Output Dwg. Piece 11/16 x 11/16	2/4/64	410	JM	John C. Biele
A	1	Deleted Blower Chassis				

ISSUE ITEM CHANGED FROM DATE CN. NO. DRAFTS CHECKER ENG. APP.

TOLERANCES SCALE: 1/4 (DO NOT SCALE)

ALL OTHERS DEC. DIM. ± FRACTIONAL DIM. ± ANGULAR DIM. ±

DRILL PUNCH COMMERCIAL STOCK SIZES AND MANUFACTURERS TOLERANCES ARE NOT INCLUDED.

1	RAK-12			7-25-62
1	RAK-20			12-19-61
1	RAK-9			2-1-61

REQ PER UNIT MODEL PROJECT NO. ASSY. NO. DATE

1	4	PO-186	CAM, 2 POINT CATCH	
1	3	GA-144-144	GASKET, EXTRUDED	
2	2	PM-531-B-2706	ROD, DOOR LATCH	
1	1	HA-114-1	HANDLE	

REQ. ITEM PART NO. DESCRIPTION SYMBOL

14 GA. THE TECHNICAL MATERIEL CORP. MAMARONECK, NEW YORK

STOCK SIZE REAR DOOR

MATERIAL WEIGHT PER PC.

TYPE & TEMPER John C. Biele

DRAWN ELEC. DES. APP. MECH. DES. APP.

HEAT TREAT. SPEC. CHECKED FINAL APPROVAL

SEE NOTE

FINISH & SPEC. NO. MS-2513 H

MS-2513 H