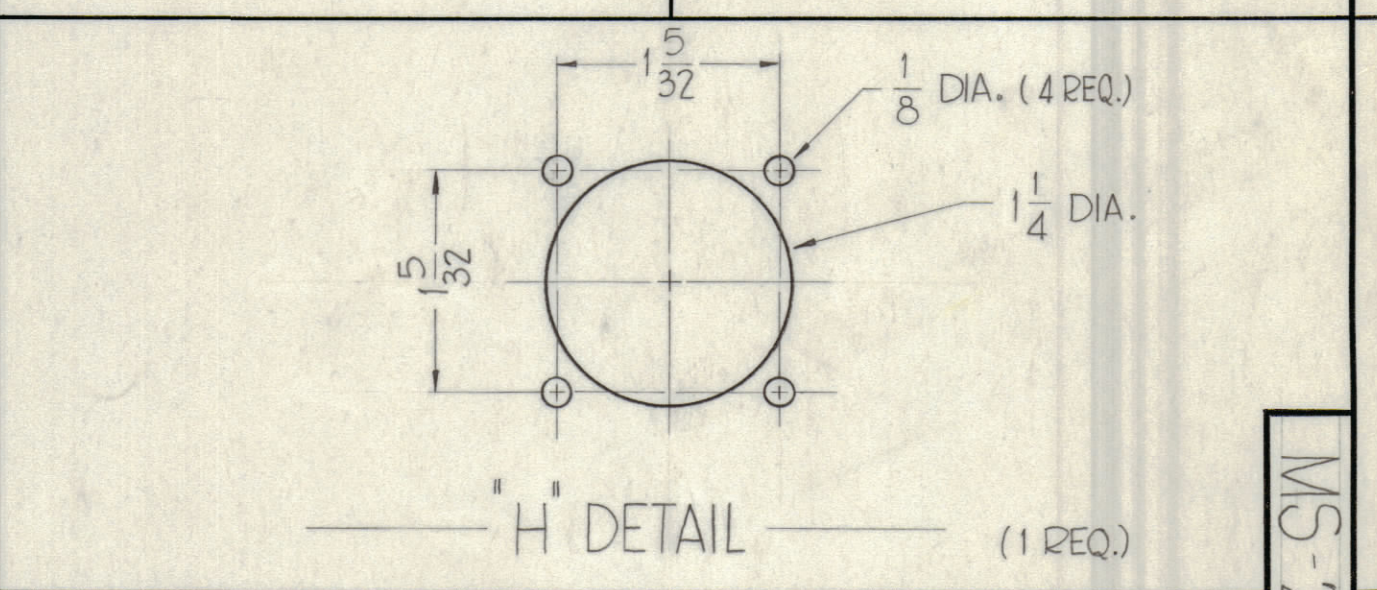
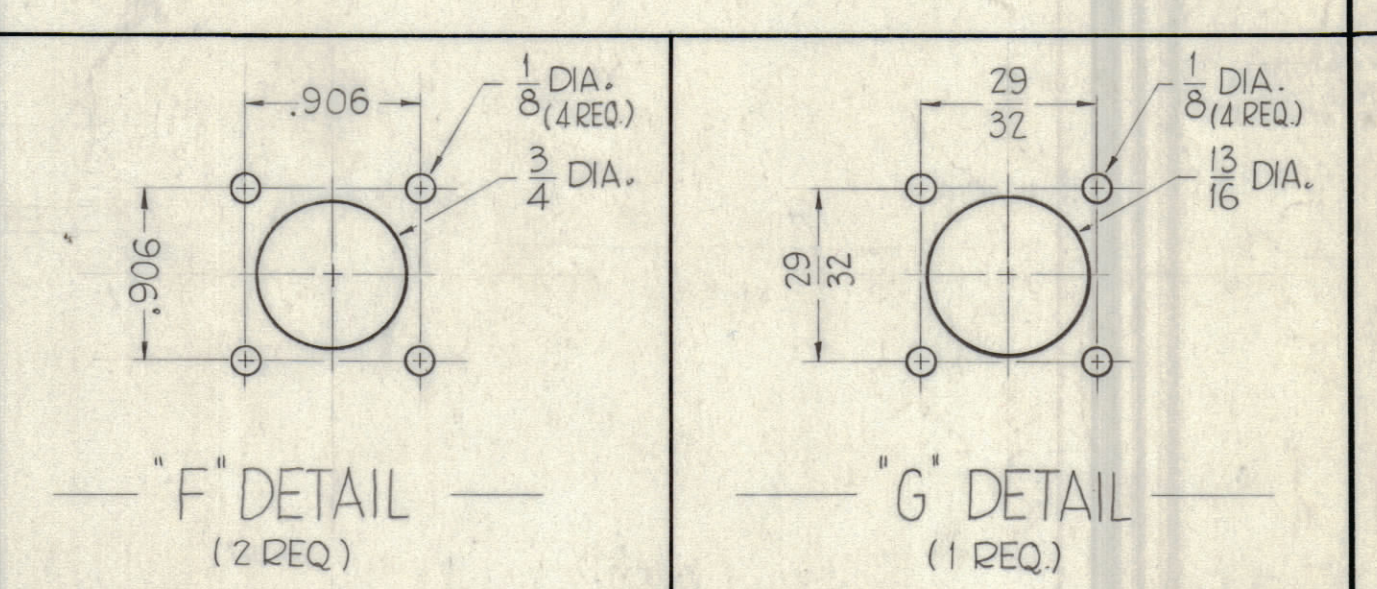


SYM.	ZONE	DESCRIPTION	DATE	CH. NO.	DRAFTS	CHECKER	ENG. APP.
UNLESS OTHERWISE SPECIFIED: DIMENSIONS ARE IN INCHES TOLERANCES ON FRACTIONS ± 1/64 DECIMALS ± .005 ANGLES ± 1/2°							
				SCALE — DO NOT SCALE			
MAXIMUM ALLOWABLE TOLERANCES HAVE BEEN DETERMINED AND ANY DEVIATIONS WILL BE CAUSE FOR REJECTION. REMOVE ALL BURRS & SHARP EDGES							

NOTICE TO PERSONS RECEIVING THIS DRAWING
THE TECHNICAL MATERIEL CORPORATION claims proprietary right in the material disclosed herein. This drawing is issued in confidence for engineering information only and may not be reproduced or used to manufacture anything shown herein without permission from THE TECHNICAL MATERIEL CORPORATION to the user. This drawing is loaned for mutual assistance and is subject to recall at any time.
Property of:
THE TECHNICAL MATERIEL CORPORATION
MAMARONECK, NEW YORK

- HOLES**
- A - $\frac{9}{64}$ DIA. 3 REQ.
 - B - .189 DIA. 2 REQ.
 - C - .161 MIN., .164 MAX. DIA'S. 8 REQ.
 - D - .191 MIN., .194 MAX. DIA'S 5 REQ.
 - E - $\frac{1}{2}$ DIA. 1 REQ.



MS-2548

2	3	TE-108-1	STANDOFF, RIVET TYPE	
5	2	NT-129-832-4	NUT, ROUND, SWAGE TYPE	
8	1	NT-129-440-4	NUT, ROUND, SWAGE TYPE	
REQ. ITEM		PART NO.	DESCRIPTION	SYMBOL
.064 THICK			MATERIAL	
ALUMINUM			THE TECHNICAL MATERIEL CORP. MAMARONECK, NEW YORK	
5052-H-32			CHASSIS (MODEL-TRL-5)	
1	1	TRL-5	DATE: 4-28-61	FINISH & SPEC. NO.
REQ. PER UNIT	MODEL	SECTION	ASSY. NO.	DATE
				5-404-12DITE
			ELEC. DES. APP. MECH. DES. APP.	
			SHEET OF	
			MS-2548	