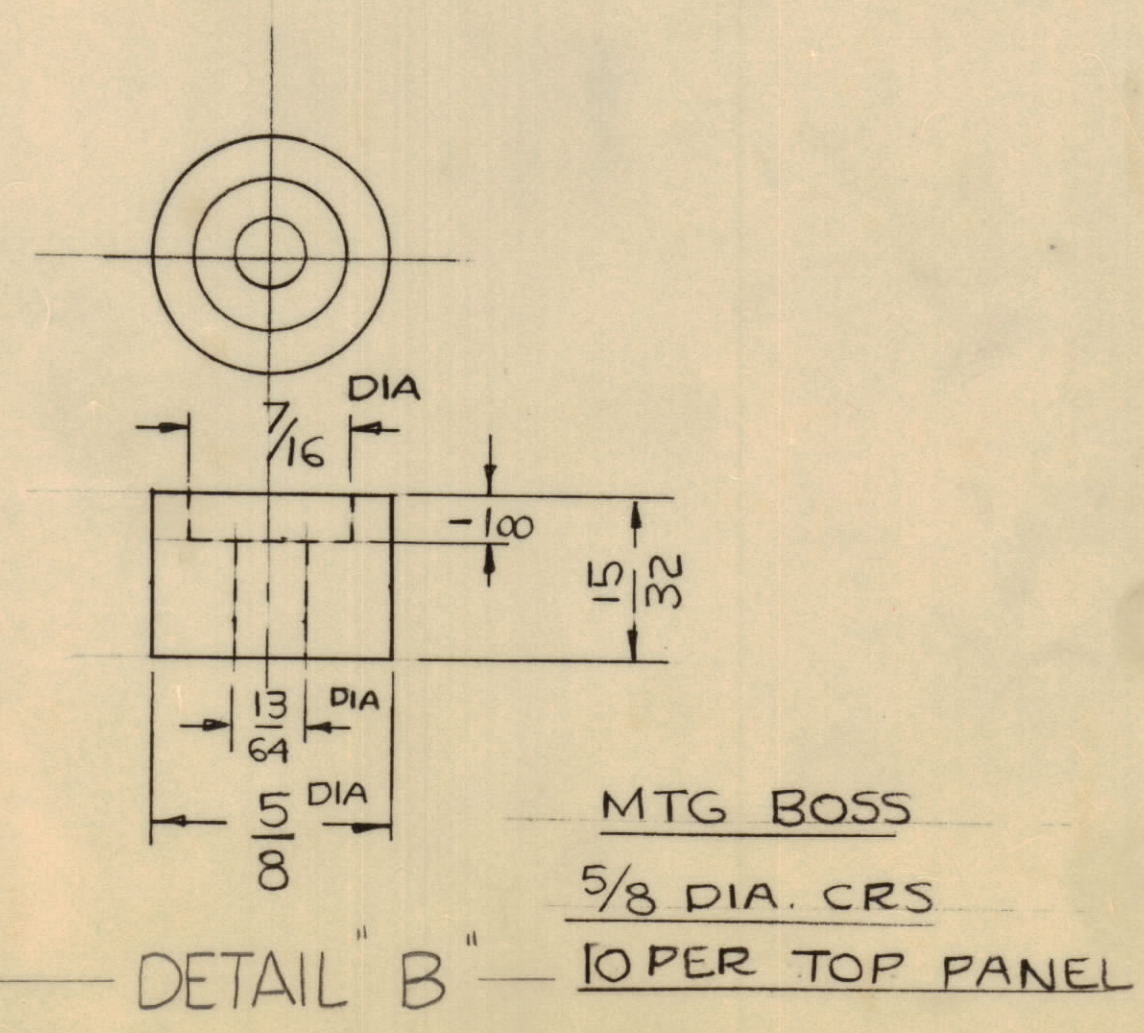
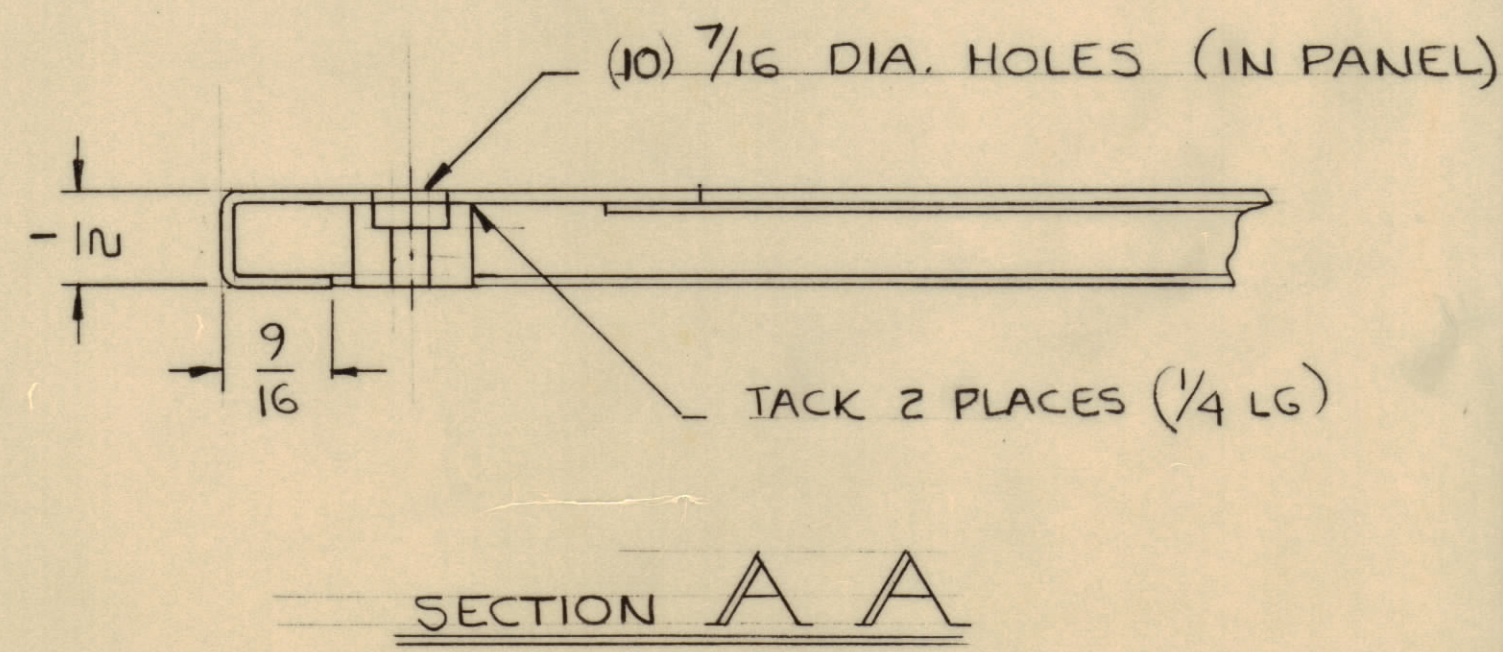
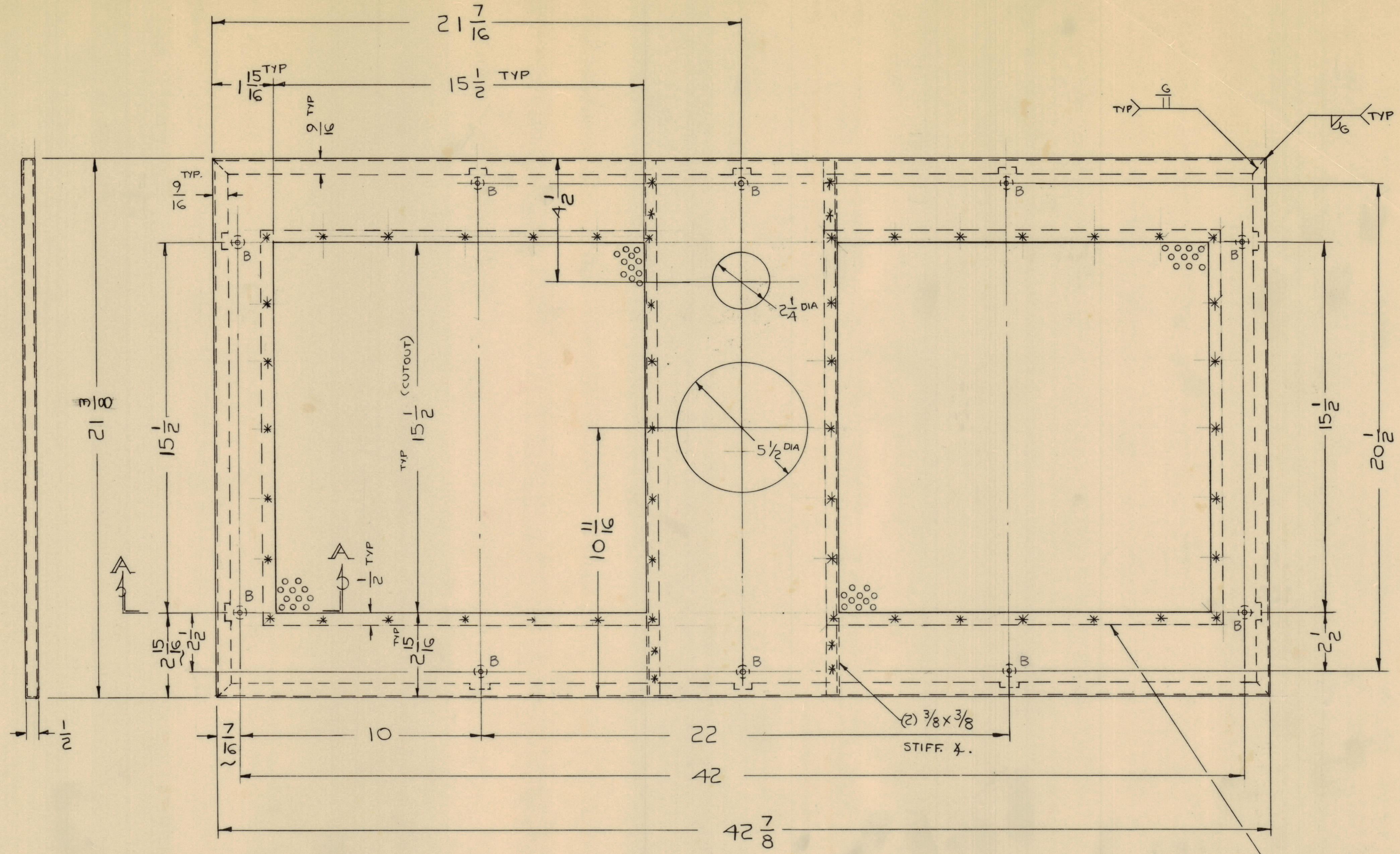


**NOTICE TO PERSONS RECEIVING THIS DRAWING**  
 THE TECHNICAL MATERIEL CORPORATION claims proprietary right in the material disclosed herein. This drawing is issued in confidence for engineering information only and may not be reproduced or used to manufacture anything shown hereon without permission from THE TECHNICAL MATERIEL CORPORATION to the user. This drawing is loaned for mutual assistance and is subject to recall at any time.

Property of:  
 THE TECHNICAL MATERIEL CORPORATION  
 MAMARONECK, NEW YORK



(2) 16 1/2 X 16 1/2 PERF  
 18 GA. STL. 140 DIA. HLS  
 ON 3/16 STAGG. CTRS.

FINISH ———  
 S-114 - ZINC CHROMATE PRIMER  
 S-220 - TMC RCAF BLUE GRAY SMOOTH ENAMEL

UNLESS OTHERWISE SPECIFIED —  
 MATERIAL ———  
 20 GAUGE STEEL

UNLESS OTHERWISE SPECIFIED	UNLESS OTHERWISE SPECIFIED
DIMENSIONS ARE IN INCHES AND INCLUDE CHEMICALLY APPLIED OR PLATED FINISHES	FRACTIONS ± 1/64
DECIMALS ± .005	TOLERANCES ± .005
ANGLES ± 30'	

SYM	ZONE	DESCRIPTION	DATE	CH. NO.	DRAFTS	CHECKER	ENG. APP.
UNLESS OTHERWISE SPECIFIED:			SCALE DO NOT SCALE				
DIMENSIONS ARE IN INCHES			MAXIMUM ALLOWABLE TOLERANCES HAVE BEEN DETERMINED AND ANY DEVIATIONS WILL BE CAUSE FOR REJECTION. REMOVE ALL BURRS & SHARP EDGES				
TOLERANCES ON							
FRACTIONS ± 1/64			DECIMALS ± .005				
ANGLES ± 1/2°							

REQ. PER UNIT	MODEL	SECTION	ASSY. NO.	DATE
1	TER25K/50			9-28-61

REQ. ITEM	PART NO.	DESCRIPTION	SYMBOL
AS NOTED		THE TECHNICAL MATERIEL CORP. MAMARONECK, NEW YORK	
AS NOTED		PANEL, TOP	
MATERIAL		M.M.	ZRIEB
AS NOTED		DRAWN	CHECKED
SEE NOTE		aa	MS-2564
FINISH & SPEC. NO.		ELEC. DES. APP.	MECH. DES. APP.
		SHEET	OF

MS-2564