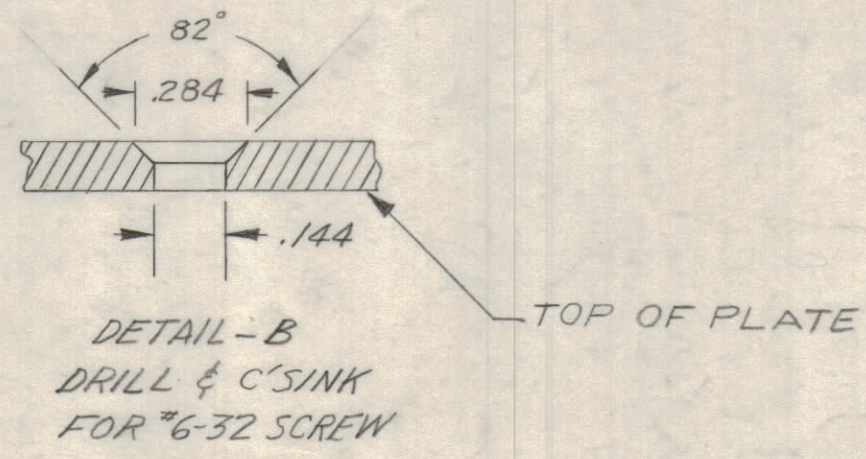
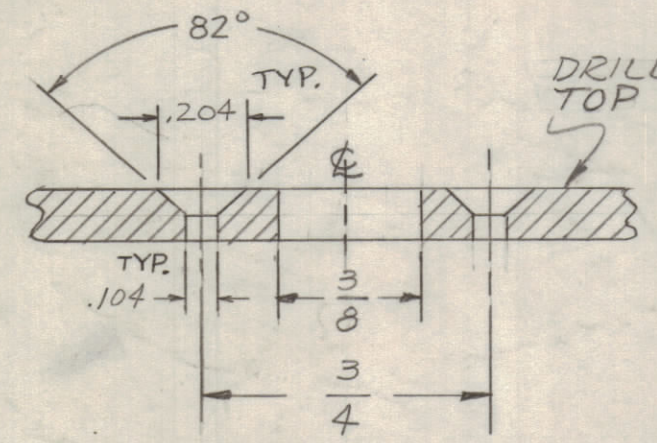
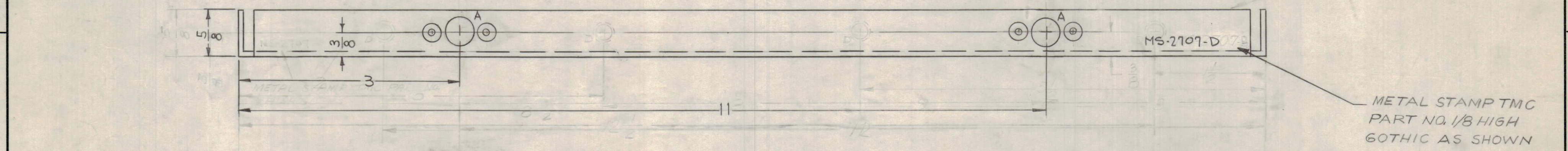
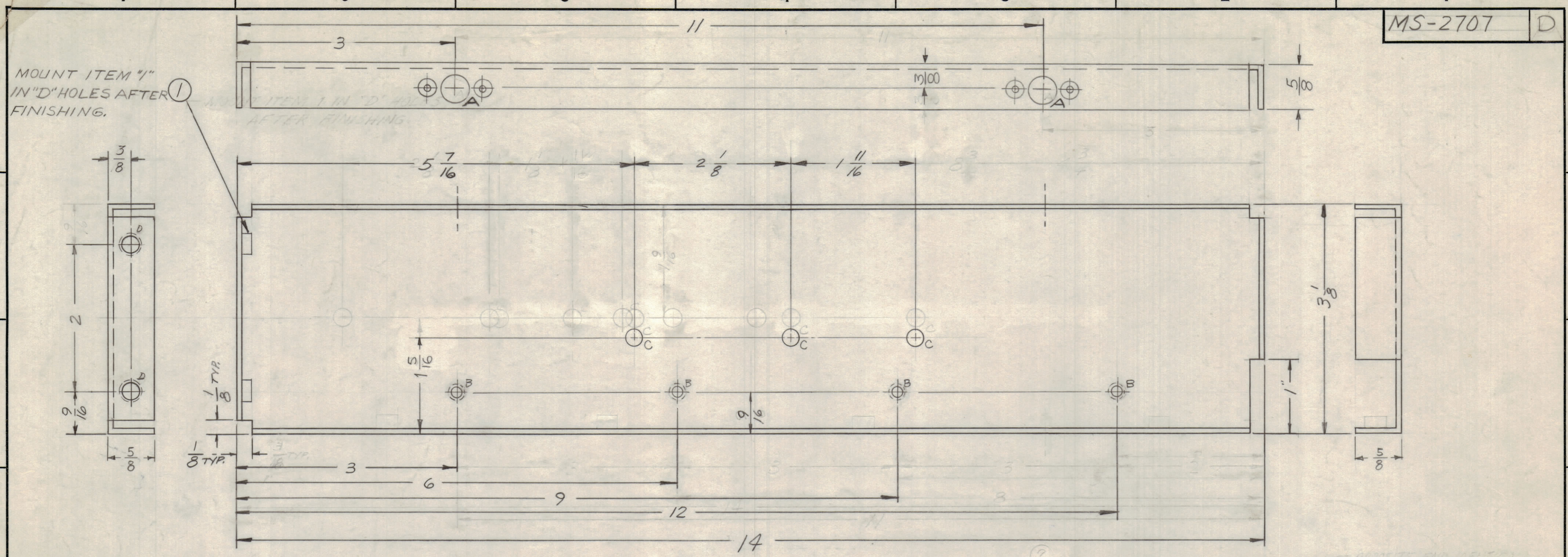


MOUNT ITEM #1 IN "D" HOLES AFTER FINISHING.



LEGEND		
HOLE	DESCRIPTION	REQ
A	SEE DETAIL	4
B	SEE DETAIL	4
C	.218 DIA.	3
D	.191-.194 DIA.	2

4 REQ'D  
4 REQ'D  
3 REQ'D  
2 REQ'D

USE MATERIAL THICKNESS FOR MAX. RADIUS ON ALL BENDS UNLESS OTHERWISE SPECIFIED

MOUNT INSERTS AFTER FINISHING

SYM	ZONE	DESCRIPTION	DATE	CH. NO.	DRAFTS	CHECKER	ENG. APP.
D	F4	(3)"C" HOLES RELOCATED	2-7-63	8151			
C	B2	ITEM(2) FS-102-1, 4 REQ DELETED	9-27-62	7248			
B	C3	(C) WAS 15/64 DIA.	2-27-62	6466			
A	#4	4(D) HOLES DELETED 2(A) HOLES ADDED	1-31-62	6281			

UNLESS OTHERWISE SPECIFIED:  
DIMENSIONS ARE IN INCHES  
TOLERANCES ON  
FRACTIONS ± 1/64    DECIMALS ± .005    ANGLES ± 1/2°

SCALE Do NOT SCALE

MAXIMUM ALLOWABLE TOLERANCES HAVE BEEN DETERMINED AND ANY DEVIATIONS WILL BE CAUSE FOR REJECTION. REMOVE ALL BURRS & SHARP EDGES

UNLESS OTHERWISE SPECIFIED DIMENSIONS ARE IN INCHES AND INCLUDE CHEMICALLY APPLIED OR PLATED FINISHES

DECIMALS: .X ± .05, .XX ± .01, .XXX ± .005  
FRACTIONS: ± 1/64, ANGLES: ± 0° 30'

TOLERANCES

CUT HERE GUARANTEED 2-66

REQ. PER UNIT	MODEL	SECTION	ASS'Y. NO.	DATE
1	AFC-2A			2-7-63
1	AFC-2			10-14-61

REQ. ITEM	PART NO.	DESCRIPTION	SYMBOL
4	2	DELETED	
2	1	NT-129-632-4	D
		.064 THICK	
		ALUMINUM	
		5052-H32	
		S404-YEL. IRIDITE	

THE TECHNICAL MATERIEL CORP.  
MAMARONECK, NEW YORK

PLATE, CHASSIS MOUNTING (LEFT SIDE)

ab Ruzzo  
DRAWN CHECKED

MS-2707 D  
SHEET OF