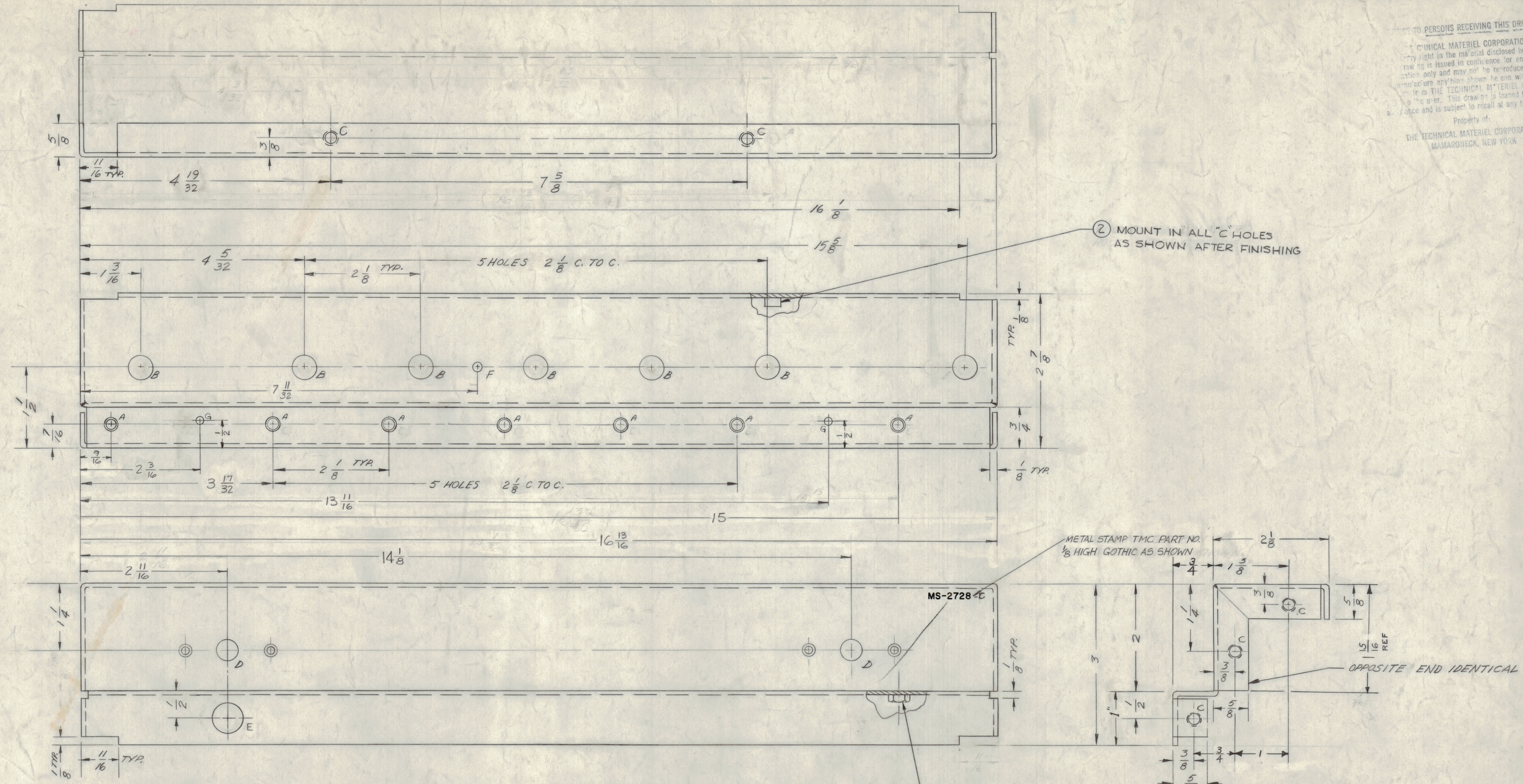


TO PERSONS RECEIVING THIS DRAWING
 TECHNICAL MATERIEL CORPORATION claims
 copyright in the material disclosed herein.
 This drawing is issued in confidence for engineering
 purposes only and may not be reproduced or used
 in any manner without the written consent of
 THE TECHNICAL MATERIEL CORPORATION.
 This drawing is loaned for mutual
 convenience and is subject to recall at any time.
 Property of:
 THE TECHNICAL MATERIEL CORPORATION
 MAMARONECK, NEW YORK

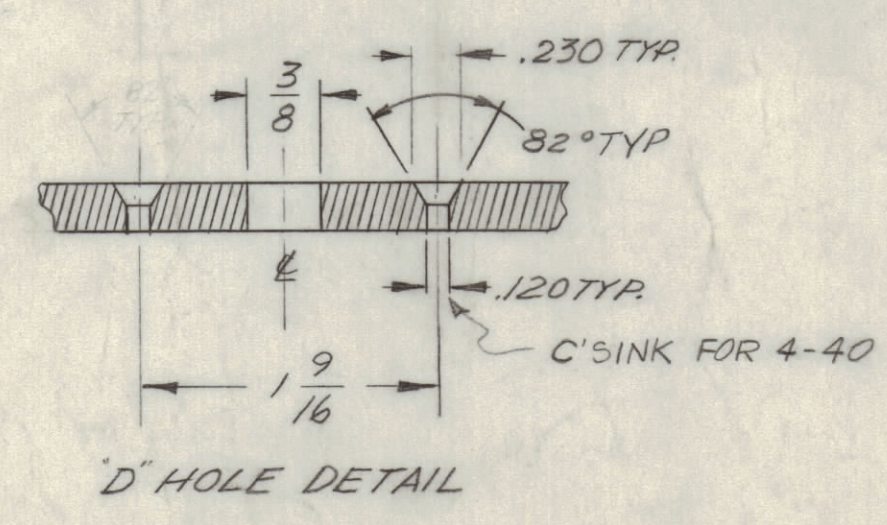
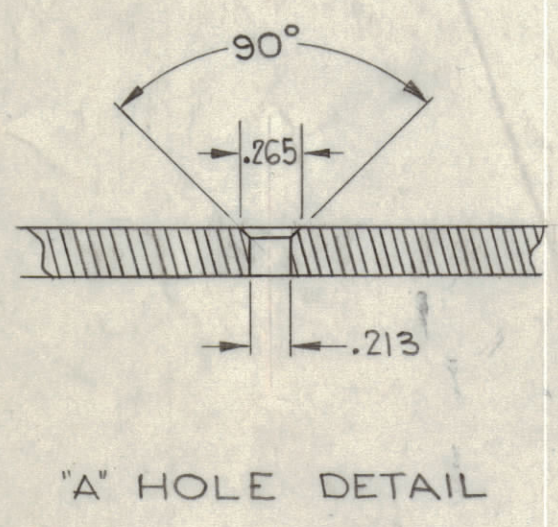


② MOUNT IN ALL "C" HOLES
 AS SHOWN AFTER FINISHING

① MOUNT IN ALL "A" HOLES
 AS SHOWN AFTER FINISHING

METAL STAMP TMC PART NO.
 1/8" HIGH GOTHIC AS SHOWN

OPPOSITE END IDENTICAL



- HOLES:
- A - (SEE DETAIL) 7 REQ.
 - B - 7/16 DIA. 7 REQ.
 - C - .191-.194 DIA. 8 REQ.
 - D - (SEE DETAIL) 2 REQ.
 - E - 9/16 DIA. 1 REQ.
 - F - 5/32 DIA. 1 REQ.
 - G - 1/8 DIA. 2 REQ.

USE MATERIAL THICKNESS FOR MAX. RADIUS
 ON ALL BENDS UNLESS OTHERWISE SPECIFIED

REF: LD-1046 (B)

REQ. ITEM	PART NO.	DESCRIPTION	SYMBOL
2	NT-129-632-4	NUT, ROUND, SWAGE TYPE, LOCK	C
7	SM-107-23	INSERT, HEX	A
.064		THE TECHNICAL MATERIEL CORP. MAMARONECK, NEW YORK	
ALUMINUM		CHASSIS, IF SWITCHING	
MATERIAL			
5052-H32		DRAWN: WA, CHECKED: JLD, FINAL APPROVAL: BP	
TYPE & TEMPER		HEAT TREAT. SPEC.	
5404 YEL IRIDITE		ELEC. DES. APP. MECH. DES. APP. SHEET OF	
FINISH & SPEC. NO.		MS-2728 C	

UNLESS OTHERWISE SPECIFIED: DIMENSIONS ARE IN INCHES AND INCLUDE CHEMICALLY APPLIED OR PLATED FINISHES			
DECIMALS	FRACTIONS	TOLERANCES	
.XX ± .01	1/64	± 1/64	ANGLES ± 0° 30'
.XXX ± .005			

EXTENSIVE CHG: SEE EMN*10823	2-10-64	10823	A.M. TK	
ITEM (1) WAS NT-129-632-4	5-8-63	894G		
"A" DETAIL ADDED, WAS .191-.194 DIA. HOLE	12-3-63	8028		
(2) "G" HOLES ADDED				

UNLESS OTHERWISE SPECIFIED: DIMENSIONS ARE IN INCHES			
SCALE DO NOT SCALE			
MAXIMUM ALLOWABLE TOLERANCES HAVE BEEN DETERMINED AND ANY DEVIATIONS WILL BE CAUSE FOR REJECTION. REMOVE ALL BURRS & SHARP EDGES			

1	HF1-1	SECTION	ASS'Y. NO.	7-24-62
REQ. PER UNIT	MODEL	SECTION	ASS'Y. NO.	DATE
USED ON				

MS-2728 C