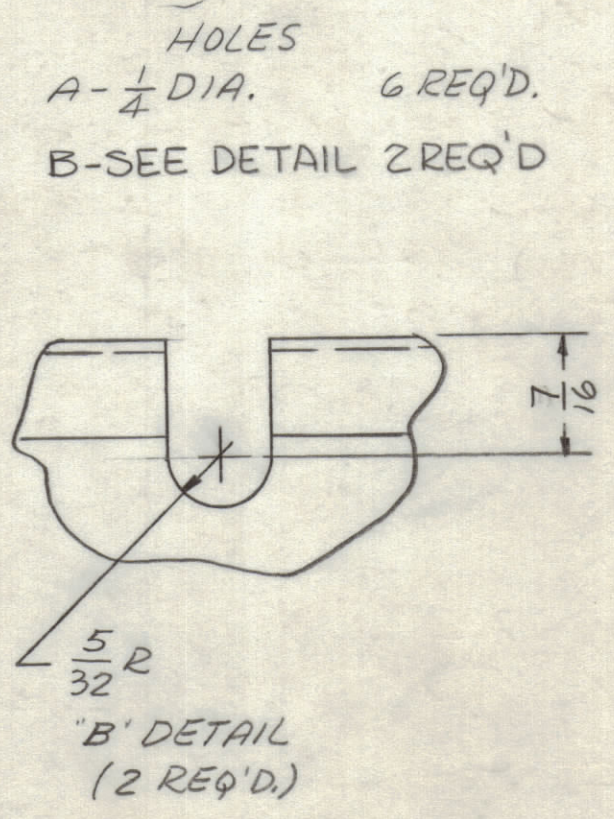
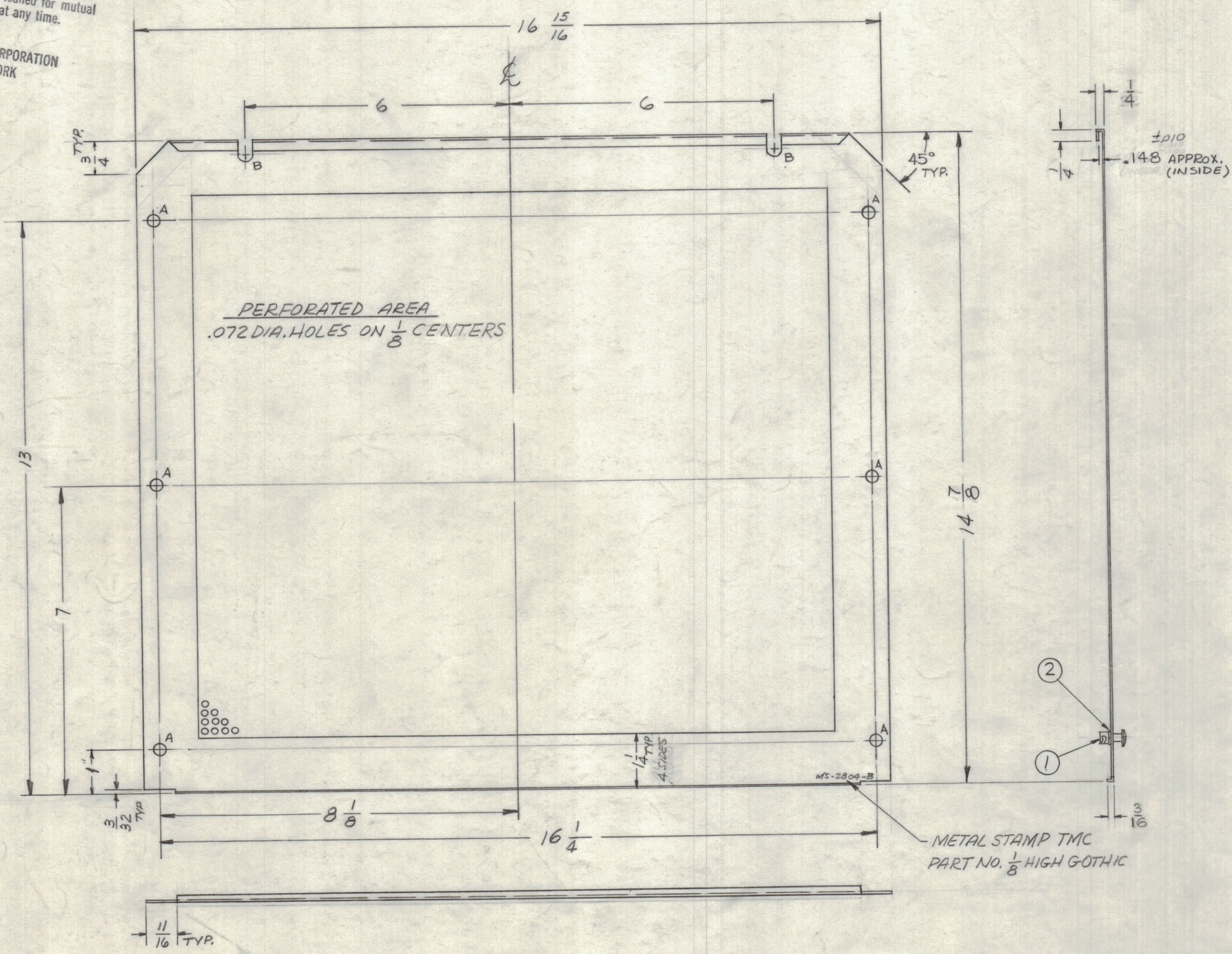


NOTICE TO PERSONS RECEIVING THIS DRAWING

THE TECHNICAL MATERIEL CORPORATION claims proprietary right in the material disclosed hereon. This drawing is issued in confidence for engineering information only and may not be reproduced or used to manufacture anything shown hereon without permission from THE TECHNICAL MATERIEL CORPORATION to the user. This drawing is loaned for mutual assistance and is subject to recall at any time.

Property of:
THE TECHNICAL MATERIEL CORPORATION
MAMARONECK, NEW YORK



SYM	ZONE	DESCRIPTION	DATE	CH. NO.	DRAFTS	CHECKER	ENG. APP.
B	B2	BLANK SIZE REF: MS-1775-25, DELETED	4-25-63	8912	jay		
A	G2	DIM. 148 ± .010 WAS .116 ± .010	2-25-63	8295			

UNLESS OTHERWISE SPECIFIED:
DIMENSIONS ARE IN INCHES
TOLERANCES ON
FRACTIONS ± 1/64
DECIMALS ± .005
ANGLES ± 1/2°

SCALE
MAXIMUM ALLOWABLE TOLERANCES HAVE BEEN DETERMINED AND ANY DEVIATIONS WILL BE CAUSE FOR REJECTION. REMOVE ALL BURRS & SHARP EDGES

UNLESS OTHERWISE SPECIFIED DIMENSIONS ARE IN INCHES AND INCLUDE CHEMICALLY APPLIED OR PLATED FINISHES

DECIMALS	FRACTIONS
.X ± .05	± 1/64
.XX ± .01	ANGLES ± 0° 30'
.XXX ± .005	

CUT HERE TO REMOVE DIMENSIONS

REQ. PER UNIT	MODEL	SECTION	ASS'Y. NO.	DATE
1	HFI-1			7-26-62

USED ON

REQ.	ITEM	PART NO.	DESCRIPTION	SYMBOL
6	2	FS109-3	RING, STUD, RETAINING	A
6	1	FS110-1	STUD, SLOTTED HEAD	A

M. GELLMAN

THE TECHNICAL MATERIEL CORP.
MAMARONECK, NEW YORK

PERF. ALUM.

5052-H32

TYPE & TEMPER

HEAT TREAT. SPEC.

5404-YEL. IRIDITE

FINISH & SPEC. NO.

ab RUZZO

DRAWN CHECKED

FINAL APPROVAL

MS-2804 B

ELEC. DES. APP. MECH. DES. APP. SHEET OF