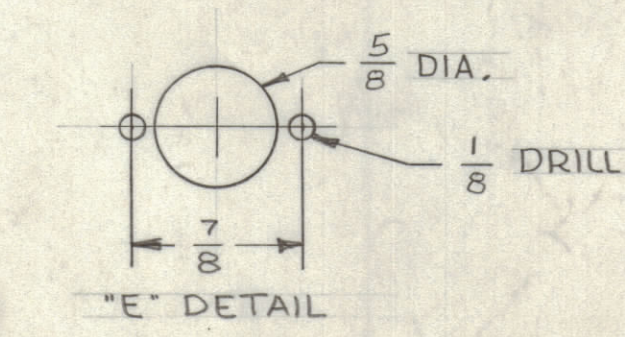
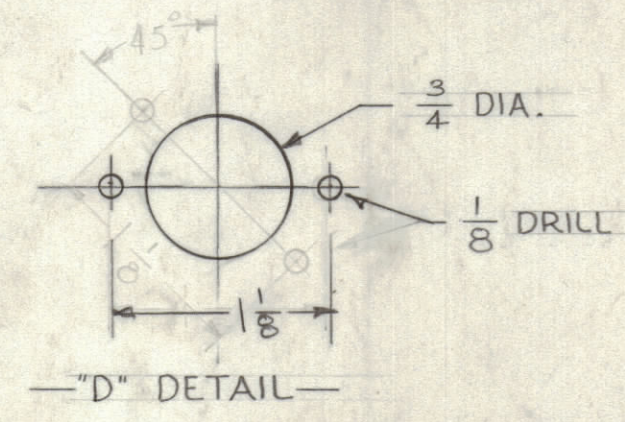
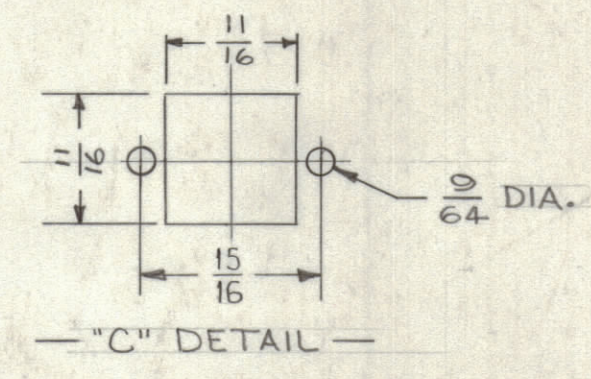
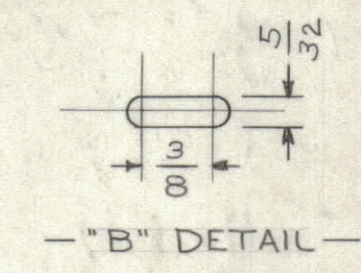
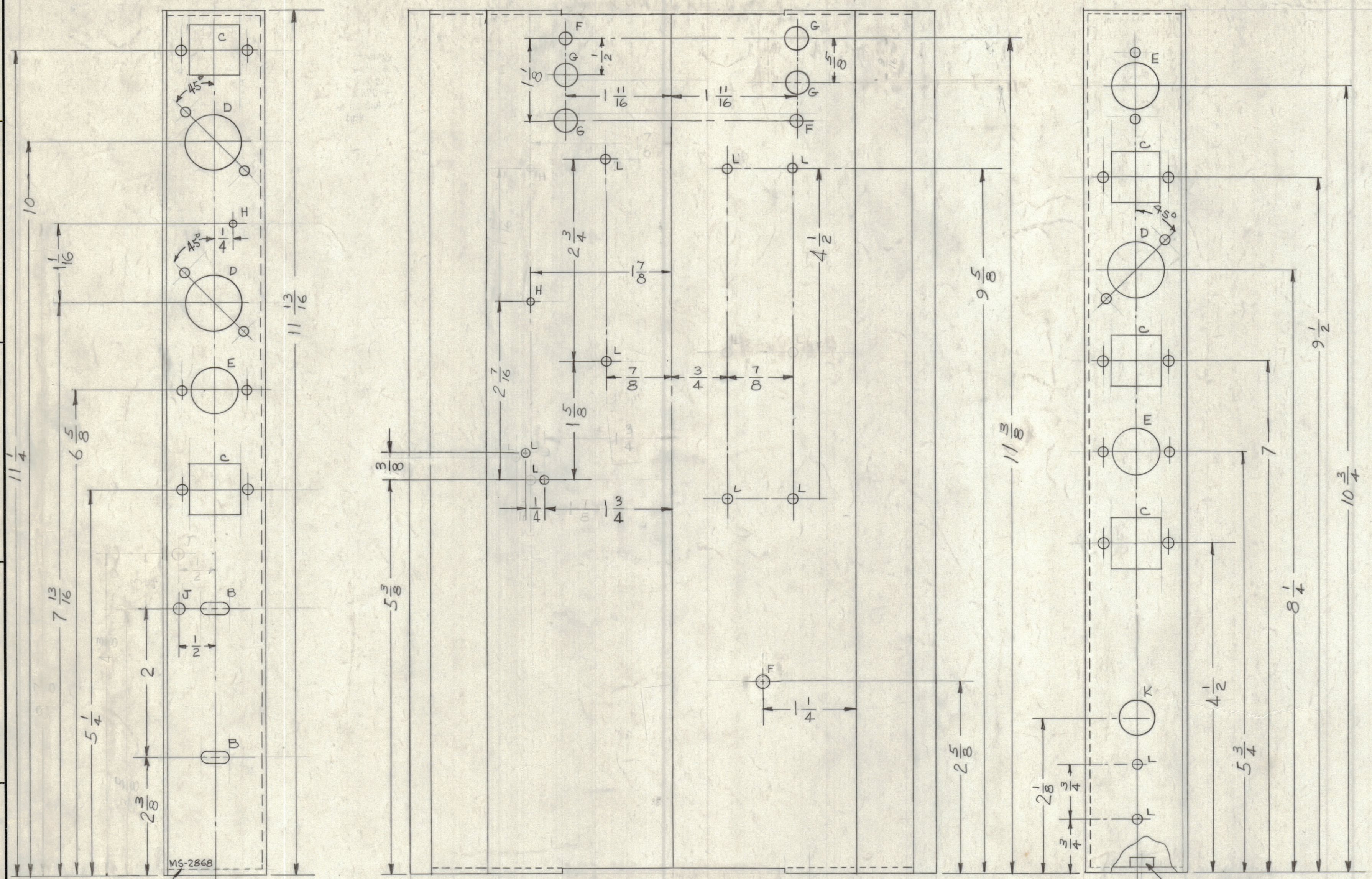
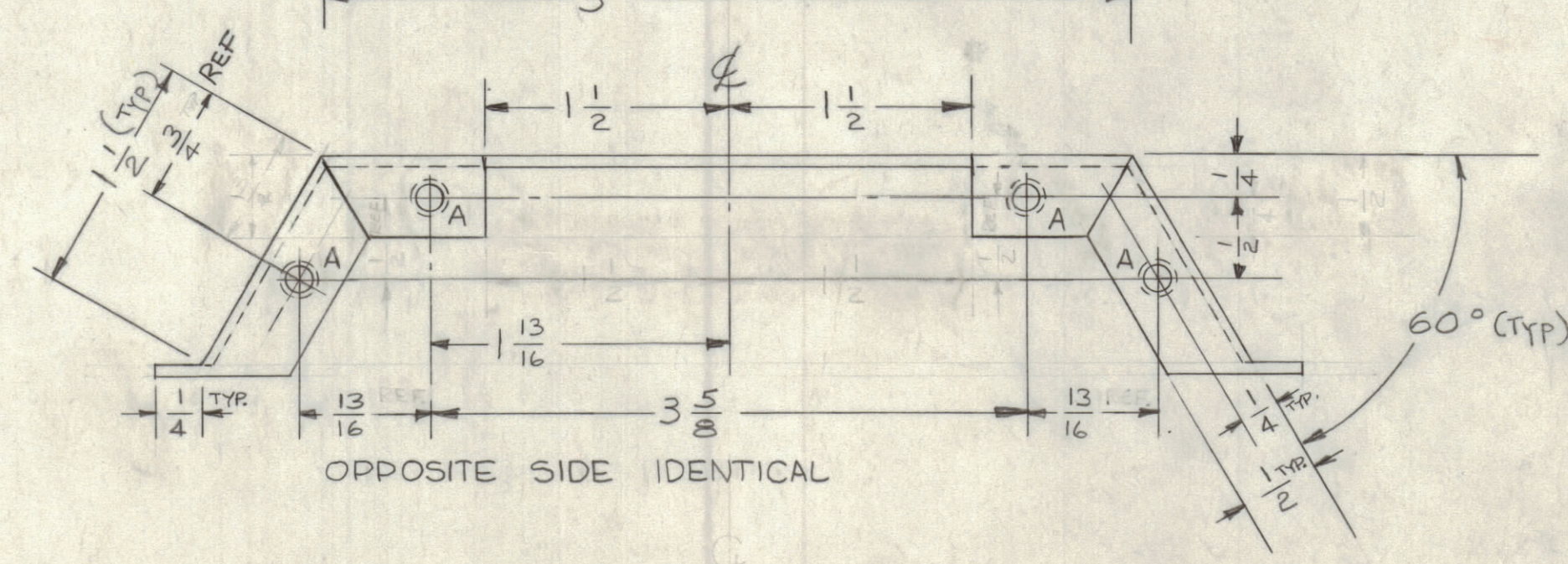


NOTICE TO PERSONS RECEIVING THIS DRAWING
 THE TECHNICAL MATERIEL CORPORATION claims proprietary right in the material disclosed hereon. This drawing is issued in confidence for engineering information only and may not be reproduced or used to manufacture anything shown hereon without permission from THE TECHNICAL MATERIEL CORPORATION to the user. This drawing is loaned for mutual assistance and is subject to recall at any time.
 Property of:
 THE TECHNICAL MATERIEL CORPORATION
 MAMARONECK, NEW YORK

HOLE	DESCRIPTION	REQ
A	.191-.194 DIA. (FINISH)	8
B	SEE DETAIL	2
C	SEE DETAIL	5
D	SEE DETAIL	3
E	SEE DETAIL	3
F	11/64 DIA.	3
G	5/16 DIA.	4
H	.086 DIA.	2
J	.158 DIA. ±.002	1
K	1/2 DIA.	1
L	1/8 DIA.	10
M	1/2 DIA.	1



MOUNT ITEM I IN ALL "A" HOLES AS SHOWN AFTER FINISHING.



METAL STAMP TMC PART NO 1/8 HIGH GOTHIC AS SHOWN.

USE MATERIAL THICKNESS FOR MAX. RADIUS ON ALL BENDS UNLESS OTHERWISE SPECIFIED
 MOUNT INSERTS AFTER FINISHING

UNLESS OTHERWISE SPECIFIED DIMENSIONS ARE IN INCHES AND INCLUDE CHEMICALLY APPLIED OR PLATED FINISHES	
DECIMALS: ±.005	FRACTIONS: ± 1/64
TOLERANCES	
ANGLES: ± 30'	

UNLESS OTHERWISE SPECIFIED: DIMENSIONS ARE IN INCHES	SCALE: DO NO SCALE
TOLERANCES ON FRACTIONS ± 1/64	DECIMALS ± .005
ANGLES ± 1/2°	REMOVE ALL BURRS & SHARP EDGES

REF: LD-1066

8	1	NT-129-632-4	NUT, ROUND SWAGE TYPE	A
REQ. ITEM	PART NO.	M. GELMAN		SYMBOL
.064		THE TECHNICAL MATERIEL CORP. MAMARONECK, NEW YORK		
ALUMINUM		CHASSIS, ELECTRICAL EQUIPMENT (MAIN)		
5052-H32		G. SENCEN		
S-404 YELLOW IRIDITE		MS-2868		
FINISH & SPEC. NO.		SHEET OF		

MS-2868 A