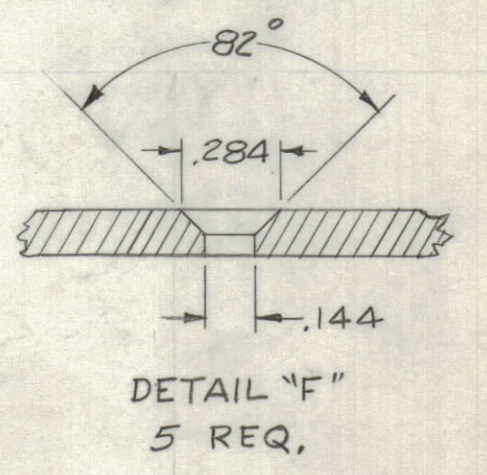
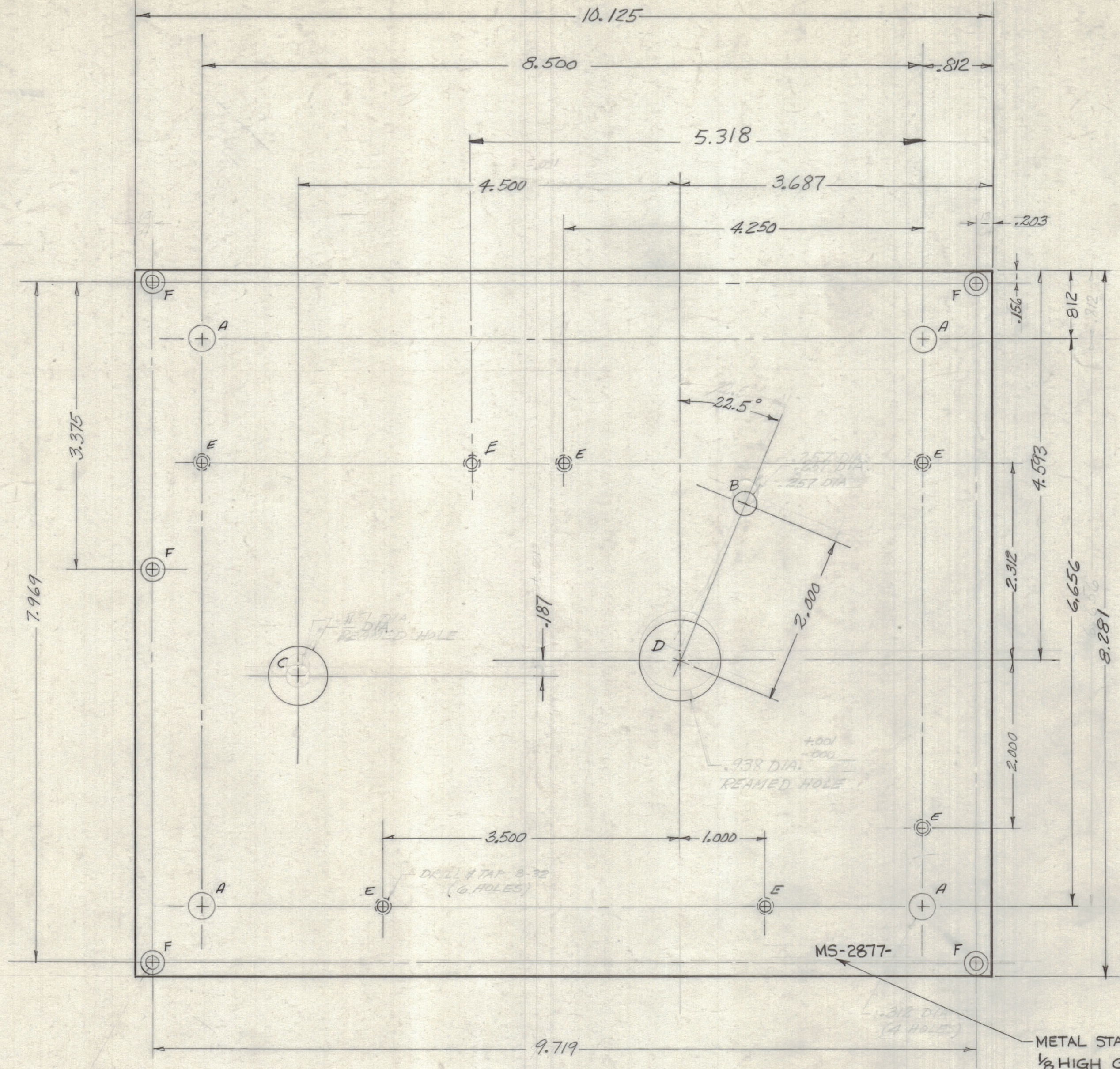
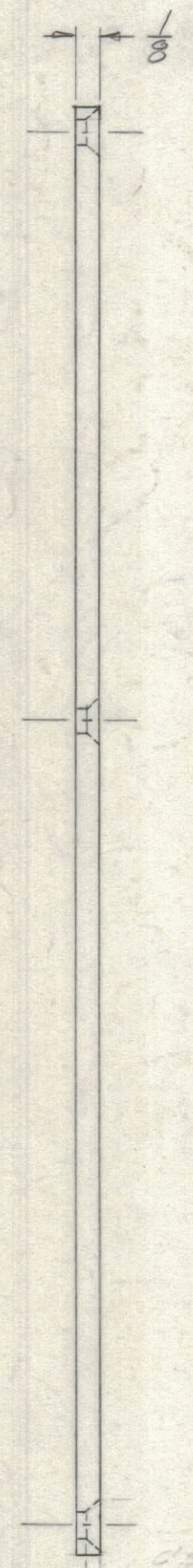


**NOTICE TO PERSONS RECEIVING THIS DRAWING**

THE TECHNICAL MATERIEL CORPORATION claims proprietary right in the material disclosed hereon. This drawing is issued in confidence for engineering information only and may not be reproduced or used to manufacture anything shown hereon without permission from THE TECHNICAL MATERIEL CORPORATION to the user. This drawing is loaned for mutual assistance and is subject to recall at any time.

Property of:  
THE TECHNICAL MATERIEL CORPORATION  
MAMARONECK, NEW YORK

LEGEND		
HOLE	DESCRIPTION	REQ.
A	.312 DIA.	4
B	.257 DIA.	1
C	.11/16 DIA.	1
D	.938 DIA. $\pm .001$	1
E	DRILL & TAP 8-32	7



METAL STAMP TMC PART NO.  
1/8 HIGH GOTHIC AS SHOWN.

SYM	ZONE	DESCRIPTION	DATE	CH. NO.	DRAFTS	CHECKER	ENG. APP.
UNLESS OTHERWISE SPECIFIED:			SCALE Do Not Scale				
DIMENSIONS ARE IN INCHES			MAXIMUM ALLOWABLE TOLERANCES HAVE BEEN DETERMINED AND ANY DEVIATIONS WILL BE CAUSE FOR REJECTION. REMOVE ALL BURRS & SHARP EDGES				
TOLERANCES ON							
FRACTIONS $\pm 1/64$			DECIMALS $\pm .005$			ANGLES $\pm 1/2^\circ$	

REQ. PER UNIT	MODEL	SECTION	ASS'Y. NO.	DATE
1	HER-117	TURRET	A-3042	5/4/61

REQ. ITEM	PART NO.	DESCRIPTION	SYMBOL
1	1/8 THICK	THE TECHNICAL MATERIEL CORP. MAMARONECK, NEW YORK	
1	ALUMINUM	PLATE, MOUNTING OSC. SECTION #1	
1	2024-T4		
1	5404 YEL. IRIDITE		