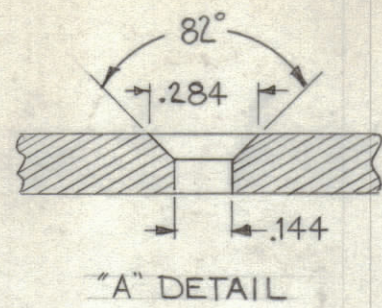
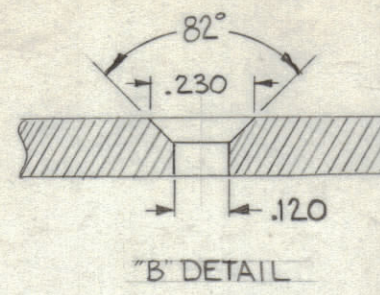


LEGEND		
HOLE	DESCRIPTION	REQ.
A	SEE DETAIL	8
B	SEE DETAIL	2



C'SINK FOR
6-32 F.H.S.



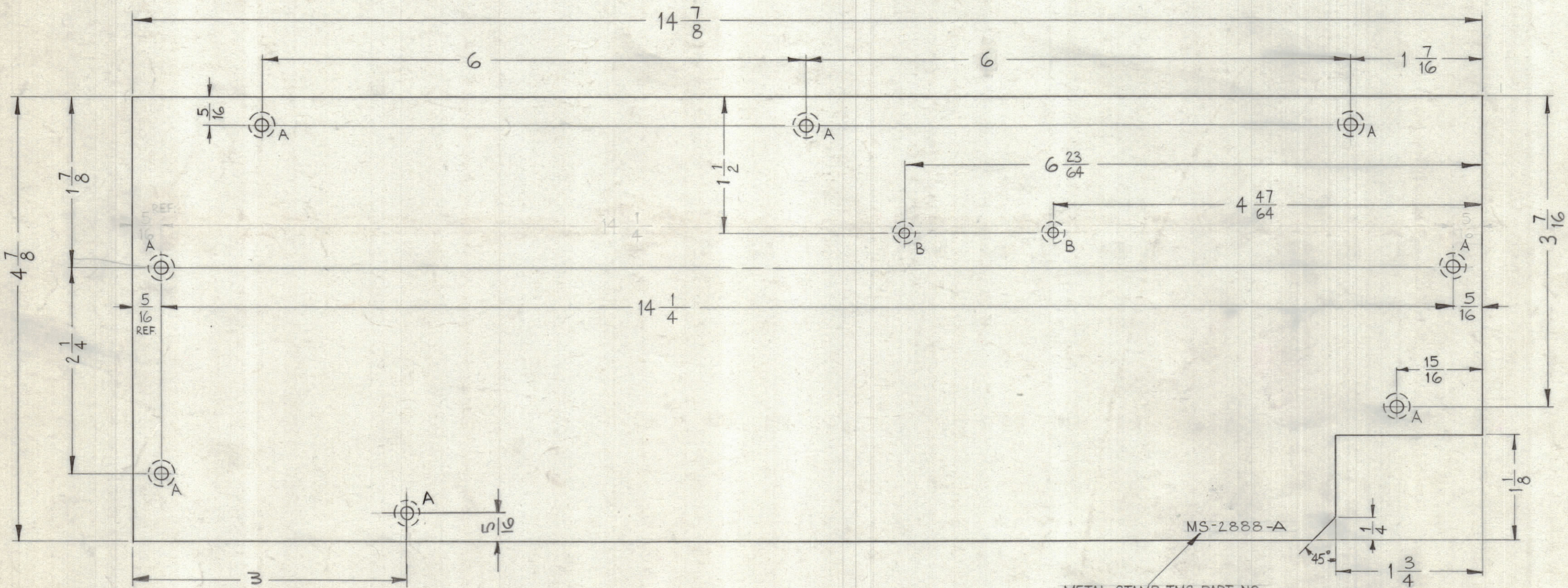
C'SINK FOR
4-40 F.H.S.

NOTICE TO PERSONS RECEIVING THIS DRAWING

THE TECHNICAL MATERIEL CORPORATION
proprietary right in the material disclosed here.
This drawing is issued in confidence for engineering
information only and may not be reproduced or
to manufacture anything shown hereon without
mission from THE TECHNICAL MATERIEL CORP
TION to the user. This drawing is loaned for
assistance and is subject to recall at any time.

Property of:

THE TECHNICAL MATERIEL CORP. 211
MAMARONECK, NEW YORK



METAL STAMP TMC PART NO.
1/8 HIGH GOTHIC AS SHOWN.

SYM	ZONE	DESCRIPTION	DATE	CH. NO.	DRAFTS	CHECKER	ENG. APP.
A	H6	(1) "A" HOLE ADDED	12/17/63	10665			

UNLESS OTHERWISE SPECIFIED:
DIMENSIONS ARE IN INCHES
TOLERANCES ON
FRACTIONS ± 1/64 DECIMALS ± .005 ANGLES ± 1/2°

SCALE DO NOT SCALE

MAXIMUM ALLOWABLE TOLERANCES HAVE BEEN DETERMINED AND ANY DEVIATIONS WILL BE CAUSE FOR REJECTION. REMOVE ALL BURRS & SHARP EDGES

REQ. PER UNIT	MODEL	SECTION	ASS'Y. NO.	DATE
1	HFS-1	SYNTH.		8-15-62

REQ. ITEM	PART NO.	J. STRUMMER	DESCRIPTION	SYMBOL
.064			THE TECHNICAL MATERIEL CORP. MAMARONECK, NEW YORK	
ALUMINUM		PLATE, CHASSIS MOUNTING, LEFT SIDE (3500 DECK)		
5052-H32		MAF.	H6	BP
TYPE & TEMPER		HEAT TREAT. SPEC.		
S404 YEL IRIDITE				
FINISH & SPEC. NO.		ELEC. DES. APP.	MECH. DES. APP.	SHEET OF
		JMA	JMA	MS-2888
				A