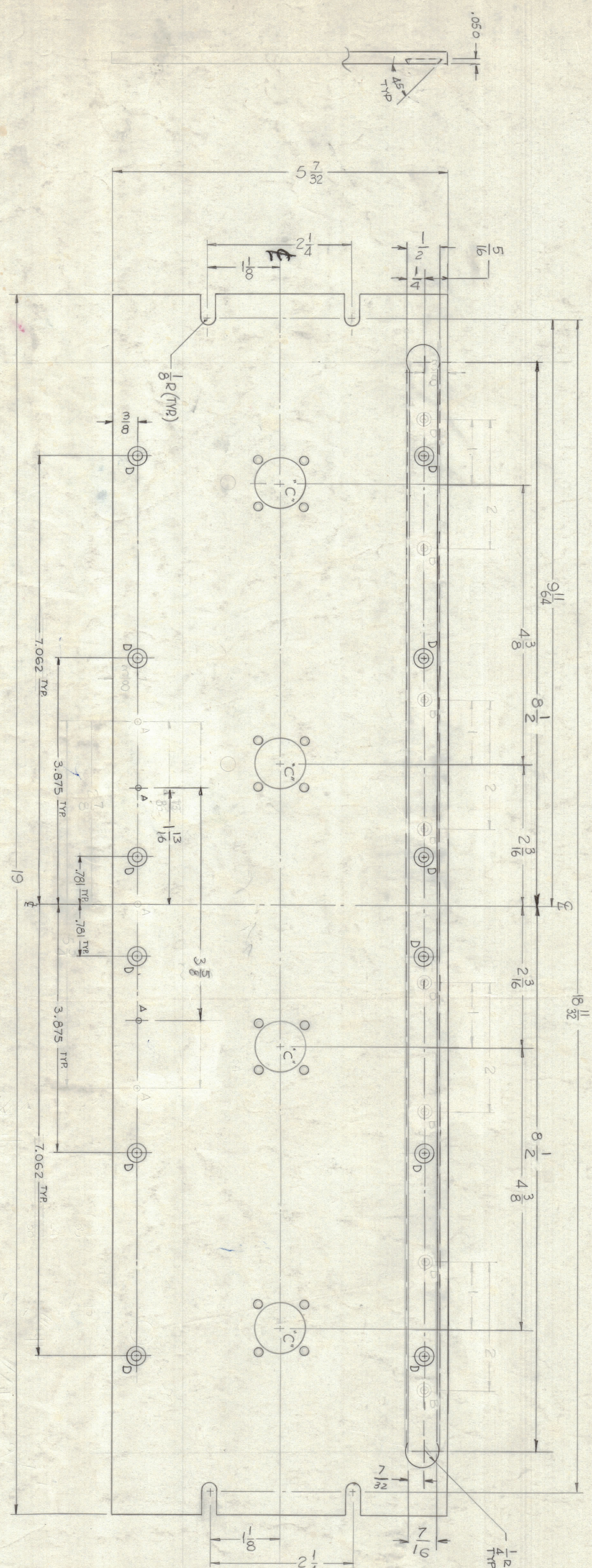


NOTICE TO PERSONS RECEIVING THIS DRAWING  
 THE TECHNICAL MATERIAL CORPORATION holds  
 proprietary right in the material disclosed herein.  
 This drawing is issued in confidence for engineering  
 information only and may not be reproduced or used  
 to manufacture anything. TECHNICAL MATERIAL CORPORATION  
 to the user. This drawing is loaned for mutual  
 assistance and is subject to recall at any time.

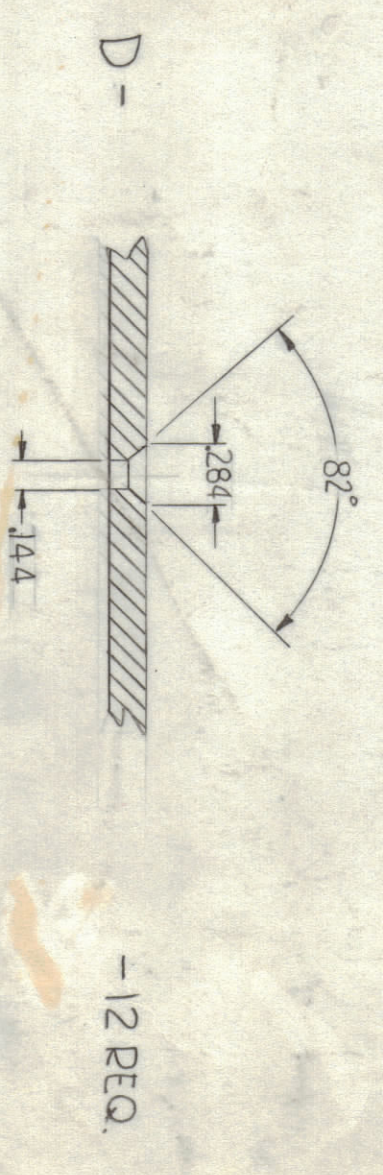
Property of:  
 THE TECHNICAL MATERIAL CORPORATION  
 MAMARONECK, NEW YORK



FRONT OF PANEL

HOLE CHART

SYMBOL	DESCRIPTION	REQ.
A	#47 PAINT STOP	2
B	#2 DIA HOLES	
C	#32 DIA HOLES	



ONLY PAINT  
 FRONT EDGES  
 OF PANEL

NOTE: FINISH  
 S404 - IRIDITE  
 5114 - ZINC CHROMATE PRIMER  
 5115 - SMOOTH GRAY ENAMEL  
 OR PRIME & PAINT IN  
 ACCORDANCE TO CUSTOMERS SPECIFICATION.

NOTES

QTY UNIT	QBS-LCIX4	ASBY. NO.
SCALE	MODEL/VERD ON	
DO NOT SCALE	CODE	

REQD. ITEM	PART NUMBER	DESCRIPTION	SYMBOL
FINISHED	36 ALUMINUM	FRONT PANEL MACHINING	
	2024-T3	MODELS: 2024-T3	
	SEE NOTE	UNLESS OTHERWISE SPECIFIED DIMENSIONS ARE IN INCHES AND INCLUDE DIMENSIONAL TOLERANCES IN PARENT PARENTAGE.	

ZONE	REV.	DESCRIPTION	DATE	E.M. NO.	DRAWN	CHECKD	APPRO.
1	0	ORIGINAL RELEASE FOR PRODUCTION	3/18/55				
2	A	HOLE LEGENDS "S" DR. & TAP DR. 3/48 WAS (104) D.A.	4/26/57	13916	P.S.		
3	B	B HOLES DELIMITED / SLOT ADDED	8/24/59				
4	C	27/32 DIA HOLES WAS 13/16D	10-11-59		CDL		