

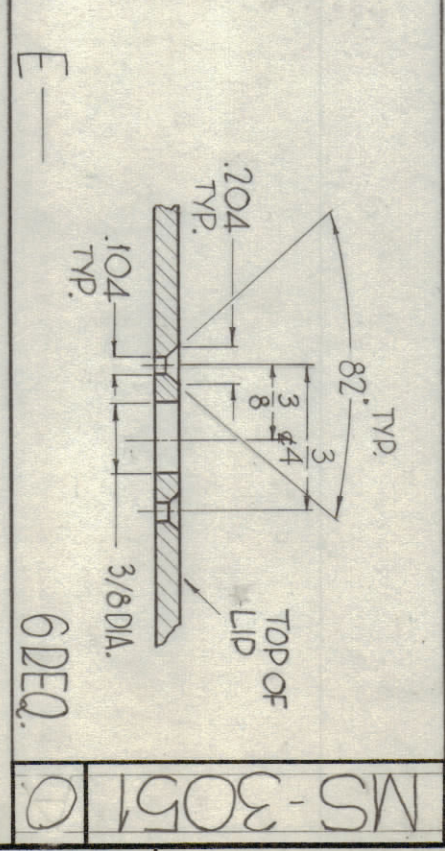
ZONE	SYM	DESCRIPTION	DATE	EMN. NO.	DRAWN	CHECKED	APP'D
0		ORIGINAL RELEASE FOR PRODUCTION	5/3/64		AM		

REVISIONS

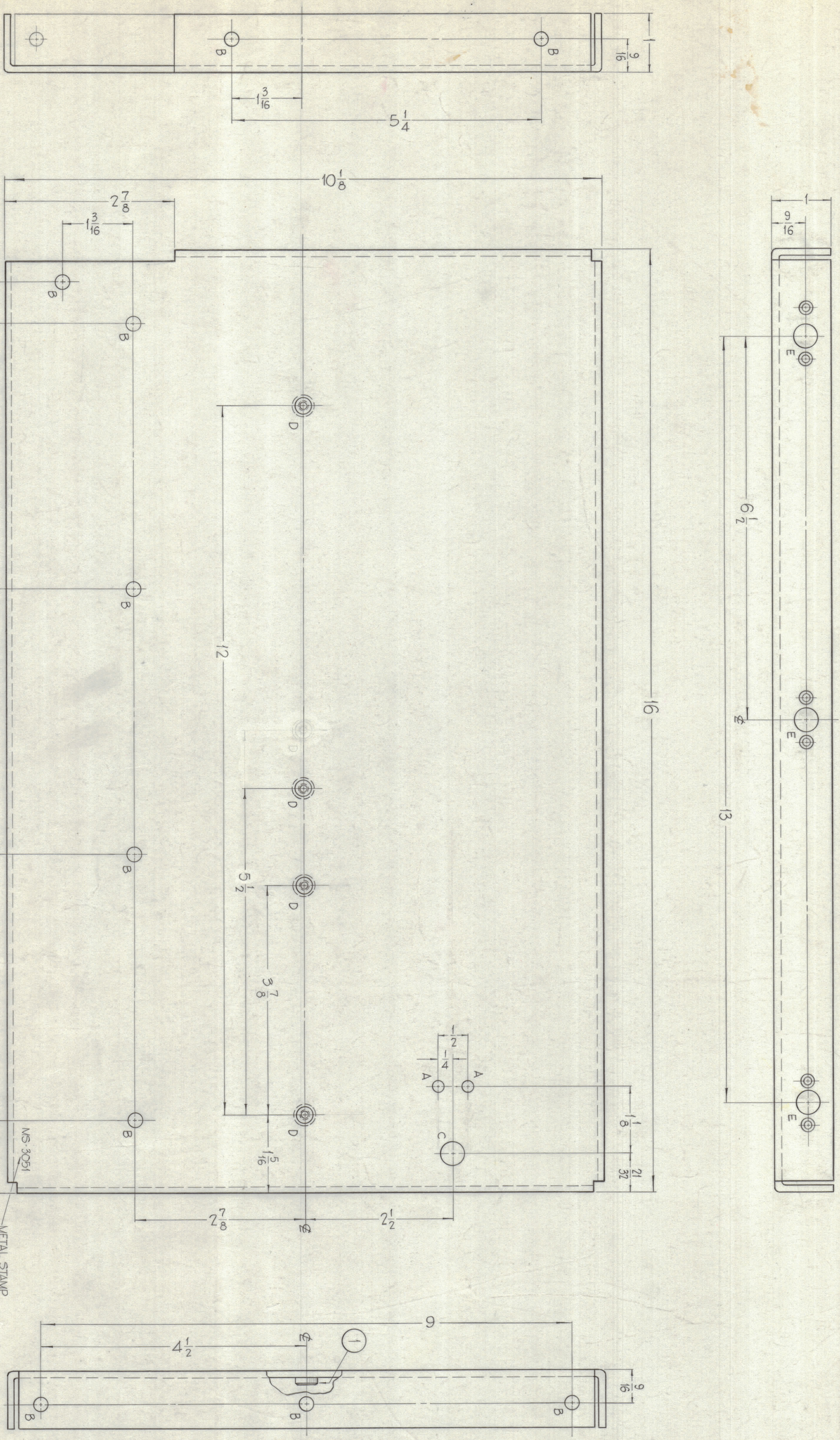
NO.	DATE	DESCRIPTION
1		
2		
3		
4		

- HOLES—
- A - 11/64 DIA. — 2 DEQ.
  - B - 7/32 DIA. — 1 ODEQ.
  - C - 3/8 DIA. — 1 DEQ.
  - D - .251 MIN., .254 MAX. DIAS. — 4 DEQ.
  - FOD MTG. NT-129-1037-6

MOUNT TWC PART NUMBER FS-107-1 IN ALL "E" HOLES WITH ALL THE NECESSARY HANDMADE.



MS-3051 0



METAL STAMP  
TMC NO. MS-3051-0  
1/8 GOTHIC.

QTY./UNIT	MODEL USED ON	ASBY NOS.
1	GPT-200K	AP-108

SCALE	SCALE
1:1	A

THE CONTENTS OF THIS DRAWING ARE THE EXCLUSIVE PROPERTY OF THE TECHNICAL MATERIAL CORP. REPRODUCTION IN WHOLE OR IN PART IS STRICTLY FORBIDDEN.

NO.	DATE	DESCRIPTION
1		
2		
3		
4		

NO.	DATE	DESCRIPTION
1		
2		
3		
4		

NO.	DATE	DESCRIPTION
1		
2		
3		
4		

1 - MOUNT INSERTS AFTER FINISHING. 2 - USE MATERIAL THICKNESS FOR MAXIMUM RADIUS ON ALL BENDS.

NOTES

NO.	DATE	DESCRIPTION
1		
2		
3		
4		