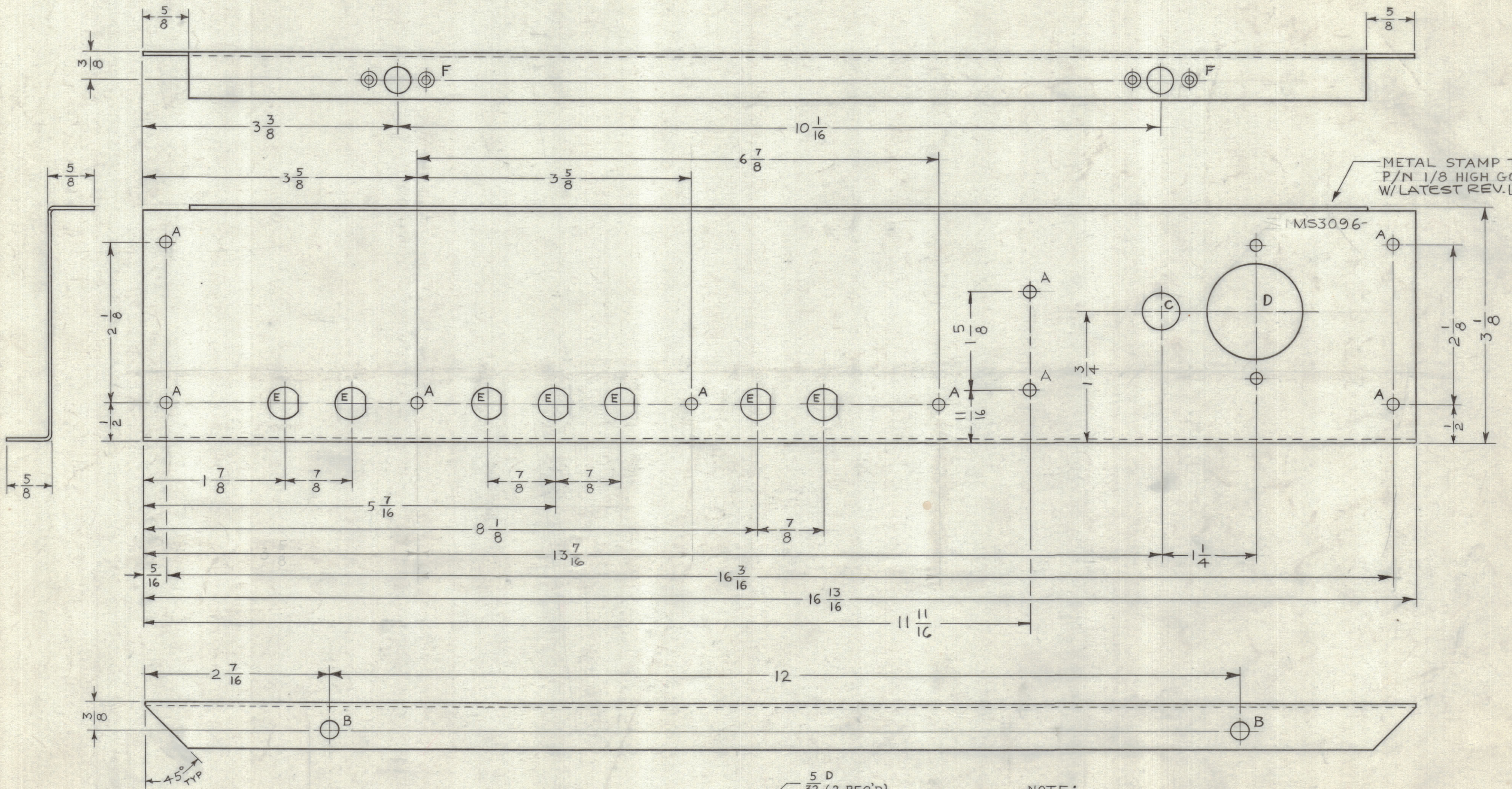


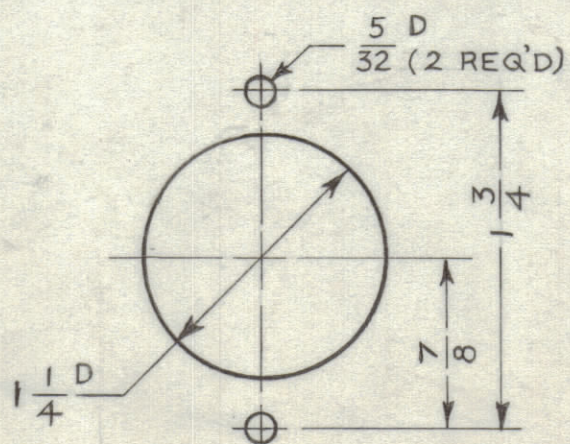
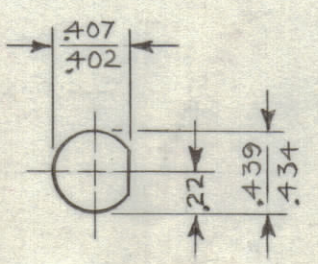
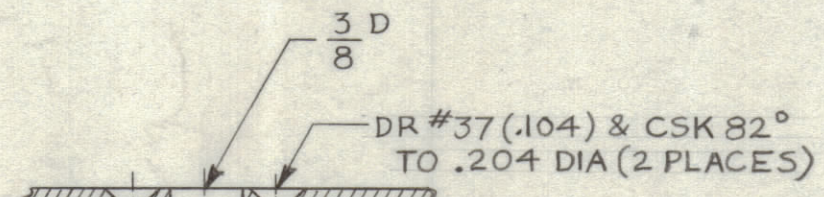
LEGEND		
HOLE	DESCRIPTION	REQ'D
A	5/32 DIA	9
B	1/4 DIA	2
C	1/2 DIA	1

REVISIONS							
ZONE	SYM	DESCRIPTION	DATE	E.M.N. NO.	DRAFT	CHKD	APPD
F3	A	2 "A" HOLES ADDED, REV. TMC PT. NO.	11/16/66	17280	WFO		



METAL STAMP TMC  
P/N 1/8 HIGH GOTHIC  
W/LATEST REV. LETTER.

MS3096-



NOTE:  
1, USE MATERIAL THICKNESS FOR MAX. RADIUS ON ALL BENDS UNLESS OTHERWISE SPECIFIED.

REF: LD-1190

REQ'D.	ITEM	PART NUMBER	DESCRIPTION	SYMBOL
J. STRUMER LIST OF MATERIAL				
MATERIAL		THE TECHNICAL MATERIEL CORP. MAMARONECK, NEW YORK		
FINISH		TITLE PANEL, REAR		
.064 ALUM. 5052-H32		UNLESS OTHERWISE SPECIFIED DIMENSIONS ARE IN INCHES AND INCLUDE CHEMICALLY APPLIED OR PLATED FINISHES		
YELLOW IRIDITE PER TMC SPEC S-404		DRAWN	DATE	FINAL APPROVAL
		<i>H. Kates</i>	2-13-63	<i>BP</i>
		CHECKED	DATE	
		<i>J. Strumer</i>	3-12-63	
		ELECT. DES.	DATE	
		<i>D. Markavi</i>	3-12-63	
		MECH. DES.	DATE	

Q'TY./UNIT	MODEL USED ON	ASS'Y. NO.
1	TRX-1	
SCALE	CODE	
1:1		

NOTES  
THE CONTENTS OF THIS DRAWING ARE THE EXCLUSIVE PROPERTY OF THE TECHNICAL MATERIEL CORP. ITS UNAUTHORIZED USE OR REPRODUCTION IN WHOLE OR IN PART IS STRICTLY FORBIDDEN.

MS-3096 A