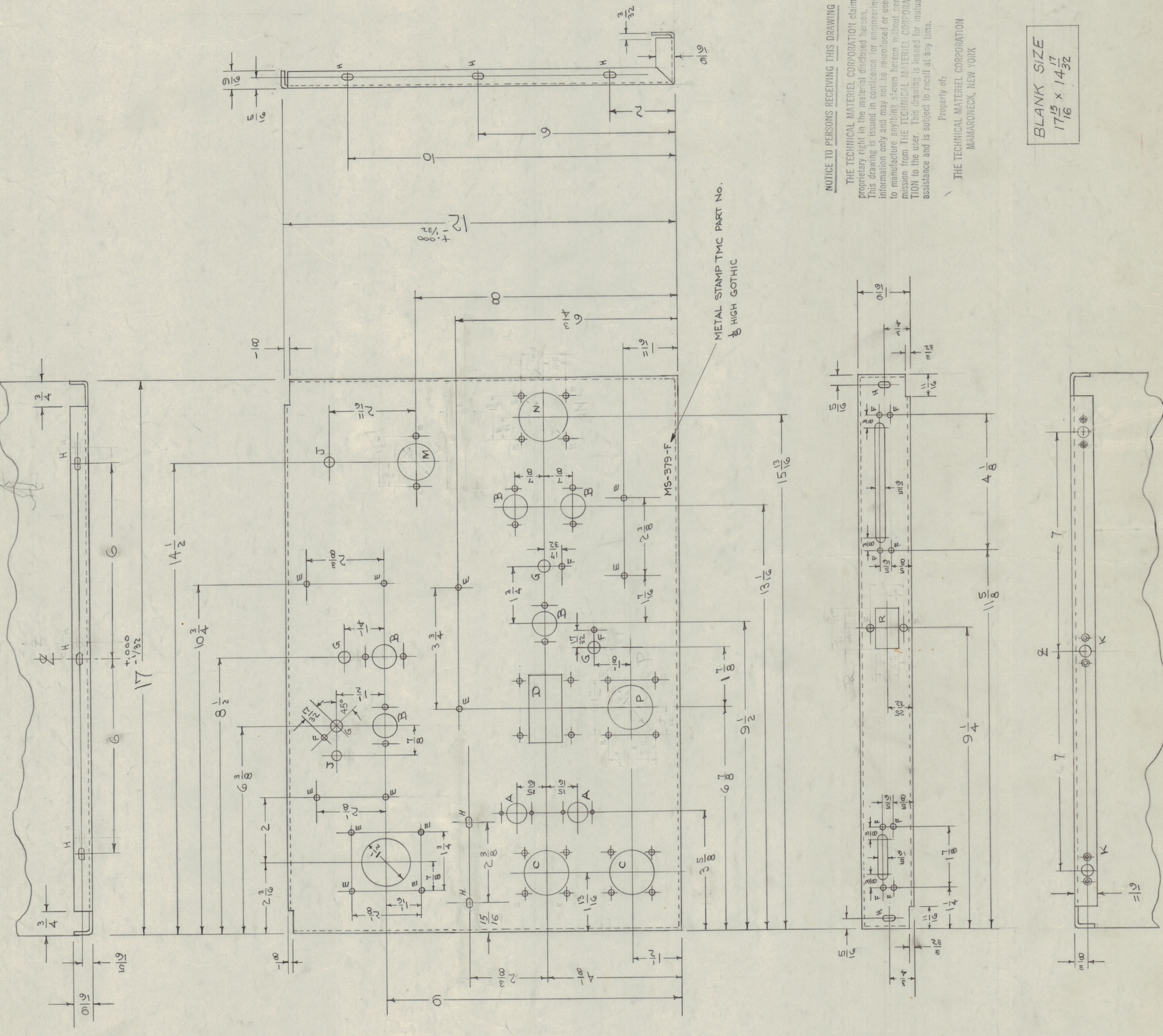
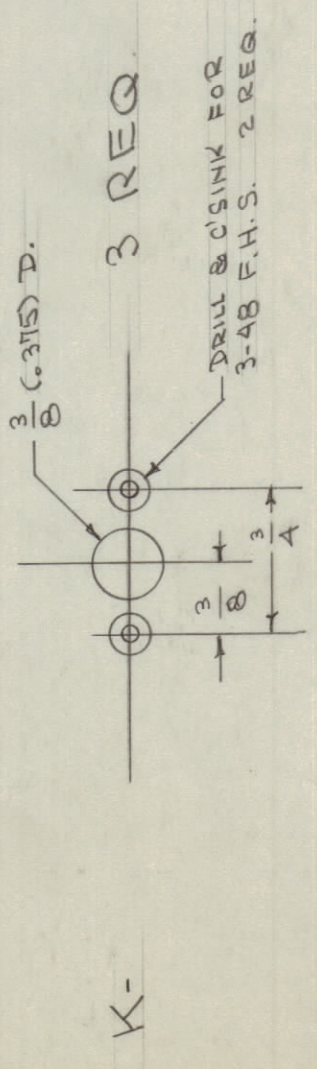
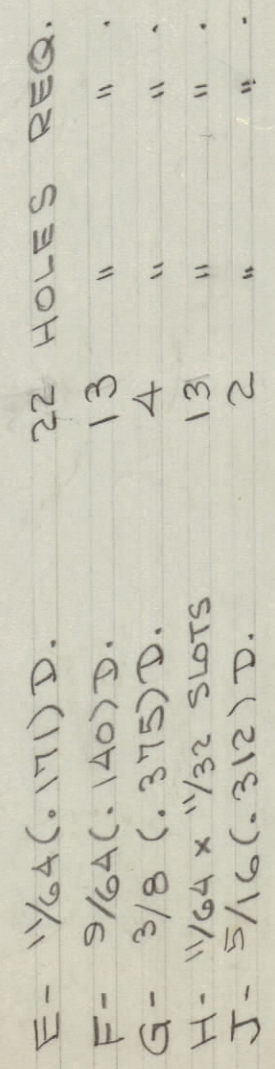
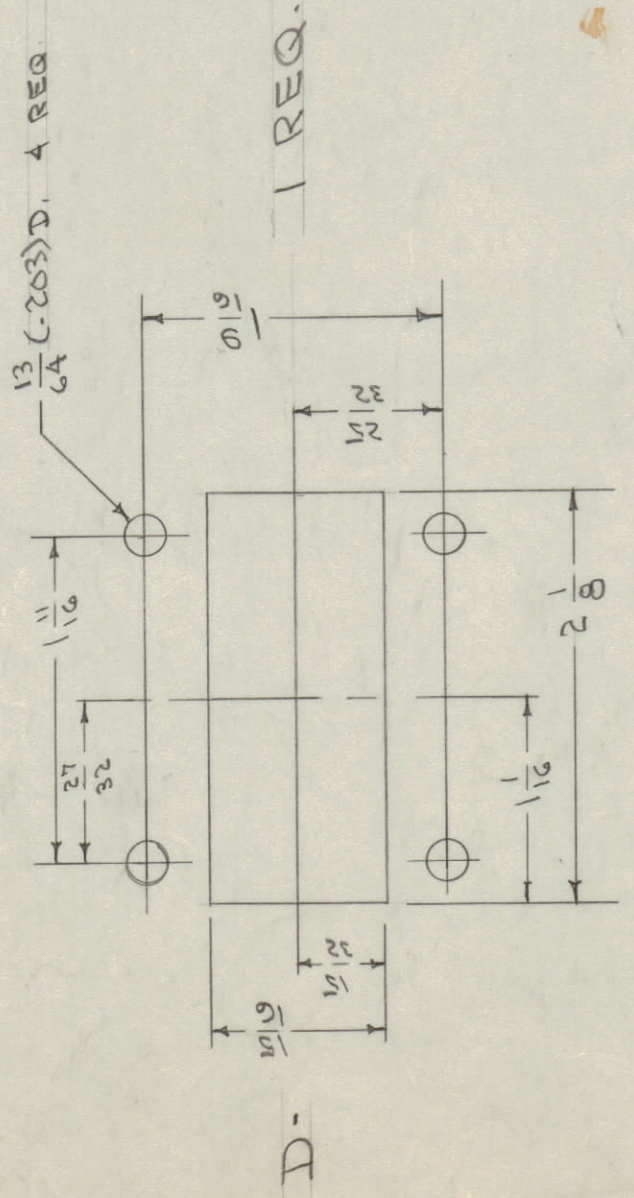
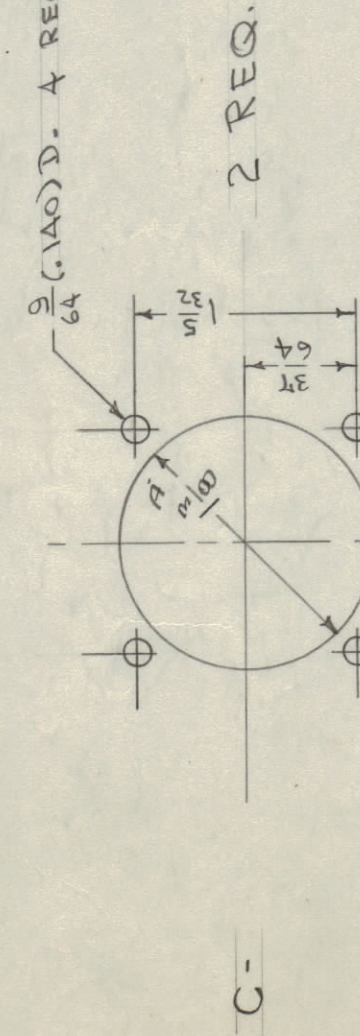
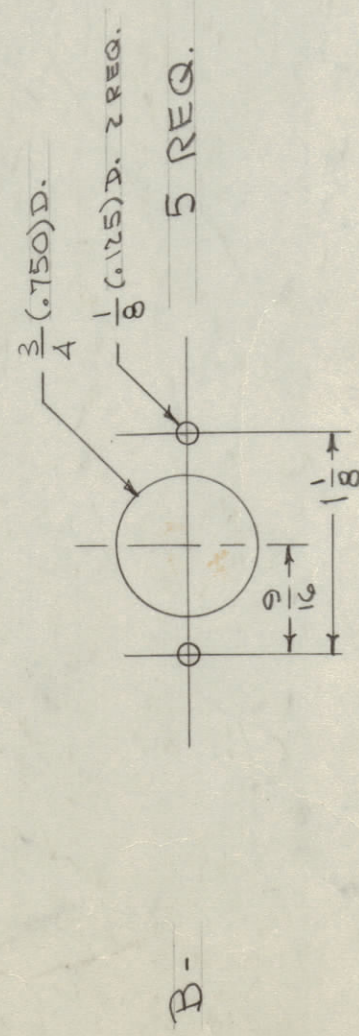
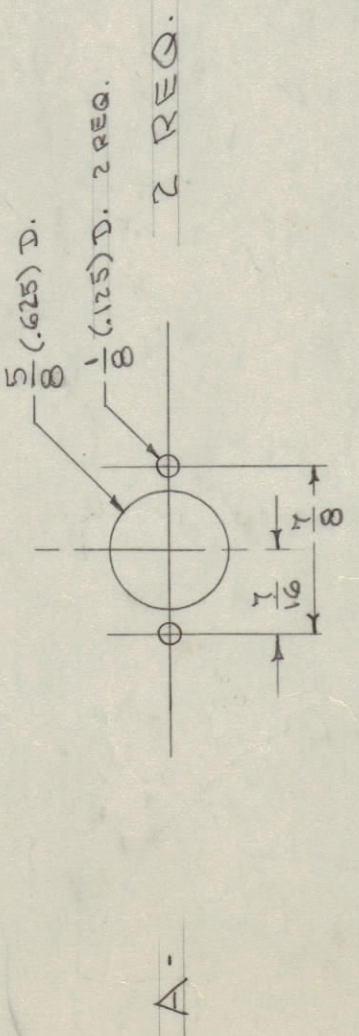


IF IT IS FOUND DESIRABLE TO CHANGE ANY TOLERANCE OR OTHER DETAIL SPECIFIED ON THIS DRAWING NOTIFY THE PURCHASER PROMPTLY. DIMENSIONS HAVE BEEN GIVEN IN INCHES AND DECIMALS THEREOF. UNLESS OTHERWISE SPECIFIED, ALL DIMENSIONS ARE TO BE HONORED. MIND AND DEVIATIONS WILL BE CAUSE FOR REJECTION. REMOVE ALL BURRS AND SHARP EDGES.

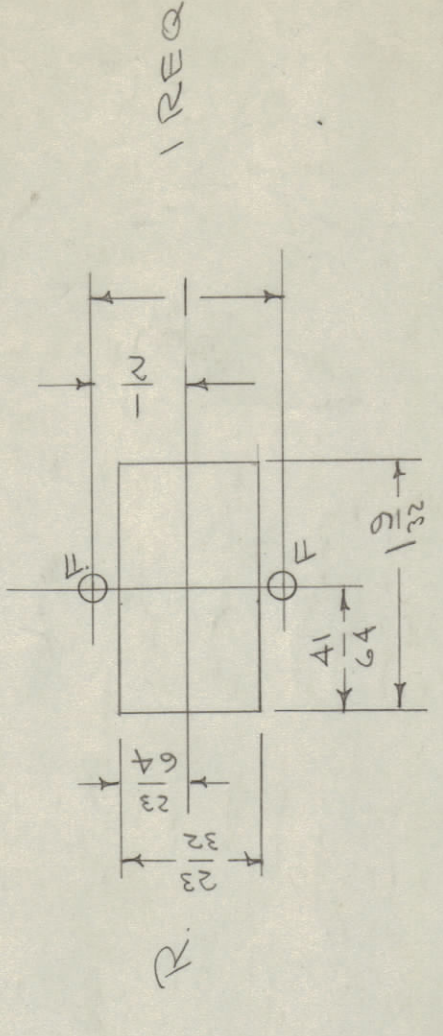
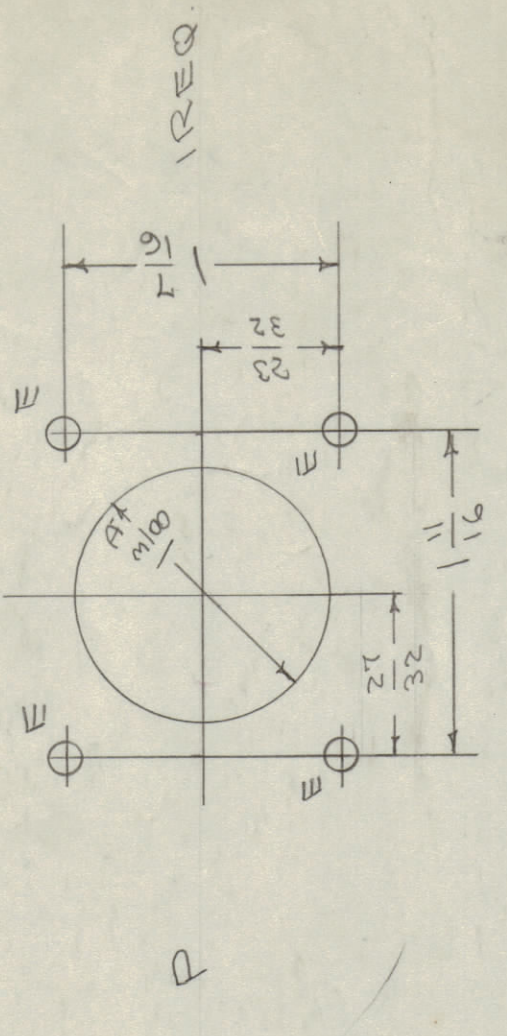
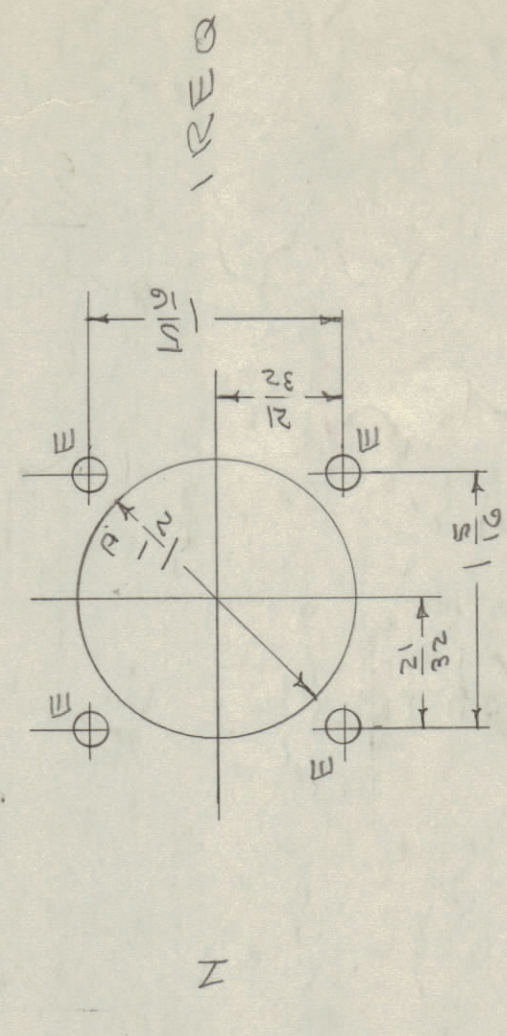
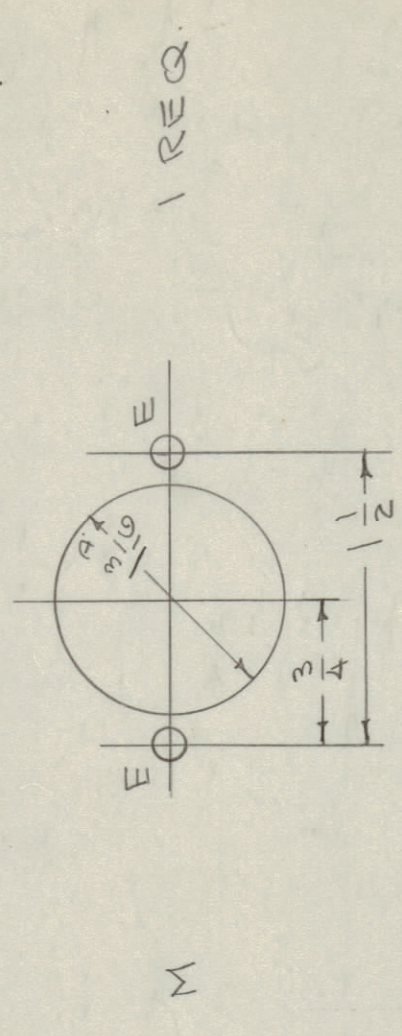
MS-379 F



NOTICE TO PERSONS RECEIVING THIS DRAWING
 THE TECHNICAL MATERIEL CORPORATION claims proprietary right in the material disclosed herein. This drawing is issued in confidence for engineering information only and may not be reproduced or used in manufacturing without the written permission of THE TECHNICAL MATERIEL CORPORATION to the user. This drawing is issued for mutual assistance and is subject to recall at any time.

Property of:
 THE TECHNICAL MATERIEL CORPORATION
 MAMARONECK, NEW YORK

BLANK SIZE
 17 1/2 x 14 1/2



ISSUE	ITEM	CHANGED FROM	DATE	CH. NO.	DRAWN	CHECKER	ENG. APP.
3	DELETED ALL MOUNTING HOLES						
2	REF. LD-201 ADDED						
1	DWG. NO. WAS 375						
1	SIBI CAUSTIC DIP		1/1/64	1001	AB	EMM	
1	HOLES CLARIFIED		1-6-54	4	AB	AWC	
4	2 1/8 WAS 3/16		5-2-55	3	AB	WJ	
3	2 1/8 WAS 3/16						
1	HOLES WERE 1/16						
2	COMPLETELY REVISED		9/8/54	2	WJ	WJ	
1	REDRAWN						

REG. ITEM	PART NO.	DESCRIPTION	SYMBOL
5	064	THE TECHNICAL MATERIEL CORP. MAMARONECK, NEW YORK	
3	525 H 32	MAIN CHASSIS ASSY	
2	000-928-54	RSA-2	
1	000-928-54	000-928-54 KZ	
		ELC. DES. APP. H. J. J.	
		CHECKED H. J. J.	
		FINAL APPROVAL	
		SUPERSEDES RSA-1	
		5404 IRIDITE	
		FINISH & SPEC. NO.	

MODEL	PROJECT NO.	ASBY. NO.	DATE
1 RSA-2	170		9-28-54
ISSUED BY			
USED ON			