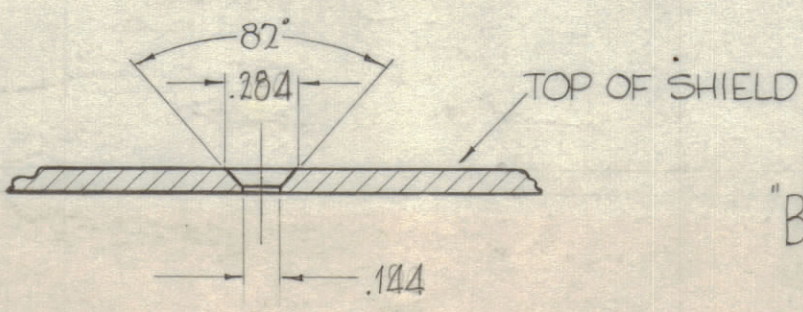
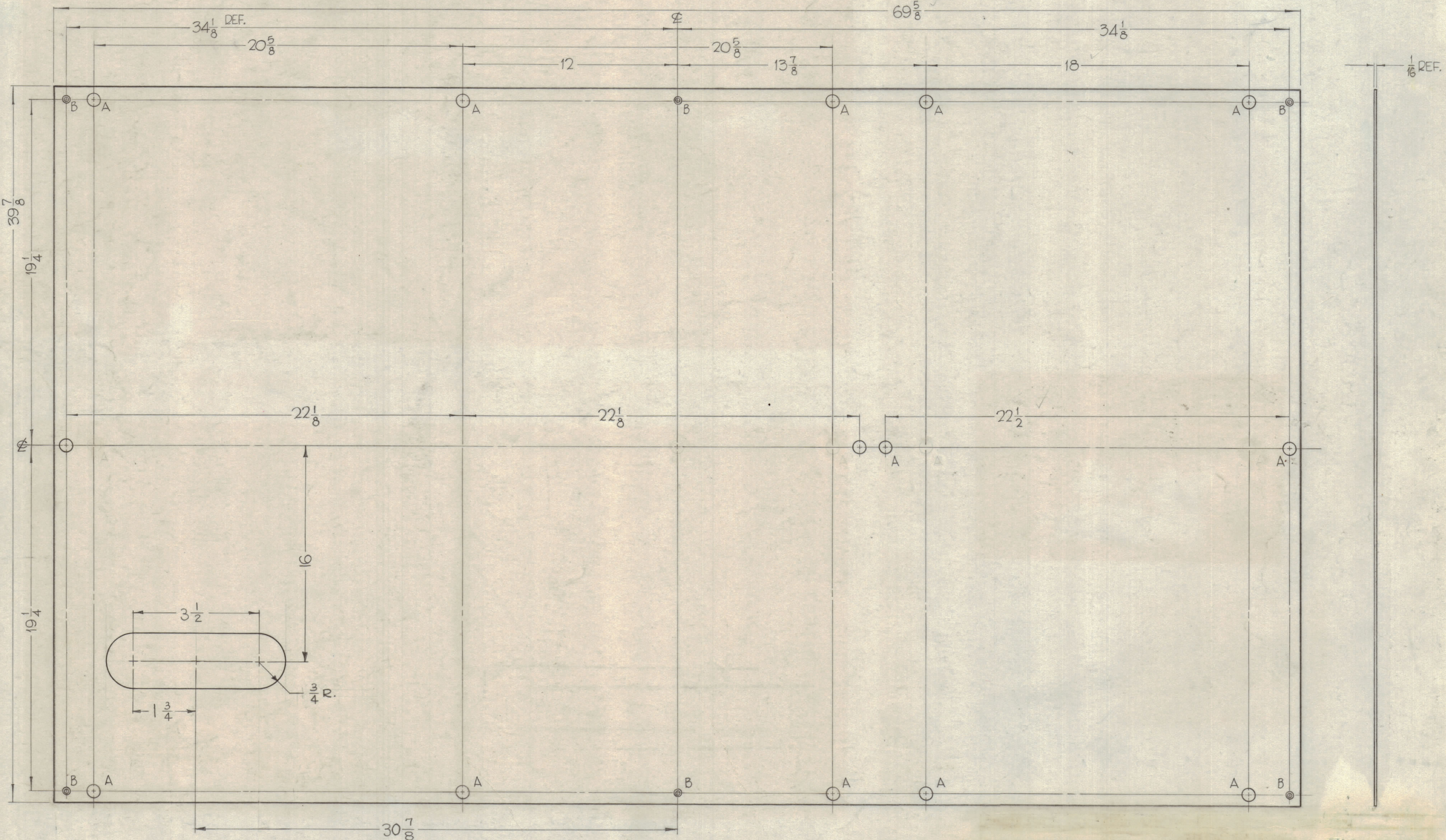


HOLES

A- 11/16 DIA. 14 REQ.



REVISIONS					
ZONE	SYM	DESCRIPTION	DATE	E.M.N. NO.	APPD
Ø		ORIGINAL RELEASE	7/15/69		JO



MS3157 Ø

MATERIAL 1/16 THICK, ALUMINUM, 5052 - H-32		THE TECHNICAL MATERIEL CORP. MAMARONECK, NEW YORK			
FINISH S404-1DIDITE		TITLE SHIELD, BASE, FINAL AMPL., FINAL TUBE			
Q'TY./UNIT 1	MODEL USED ON GPT-200K	ASS'Y. NO. AX-419	DRAWN John C. Biele	DATE 3-13-63	FINAL APPROVAL [Signature]
SCALE #	CODE		CHECKED [Signature]	DATE 4/14/69	DATE APR 15 1969
UNLESS OTHERWISE SPECIFIED DIMENSIONS ARE IN INCHES AND INCLUDE CHEMICALLY APPLIED OR PLATED FINISHES			ELECT. DES. [Signature]	DATE 4/15/69	MS-3157
DECIMALS .X ± .05 .XX ± .01 .XXX ± .005	TOLERANCES	FRACTIONS ± 1/64 ANGLES ± 0° 30'	MECH. DES. [Signature]	DATE 7/15/69	SHEET

NOTES

THE CONTENTS OF THIS DRAWING ARE THE EXCLUSIVE PROPERTY OF THE TECHNICAL MATERIEL CORP. ITS UNAUTHORIZED USE OR REPRODUCTION IN WHOLE OR IN PART IS STRICTLY FORBIDDEN.