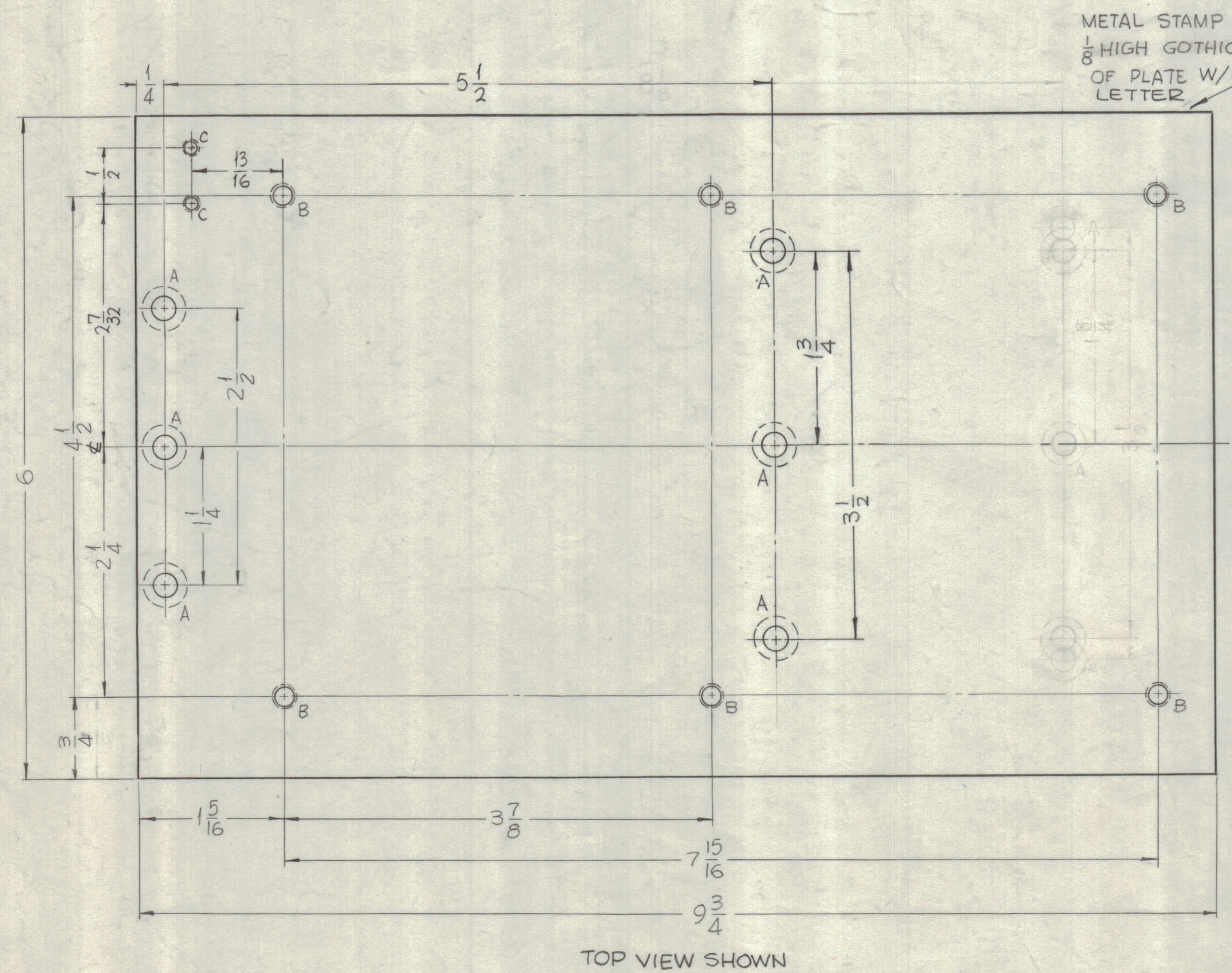
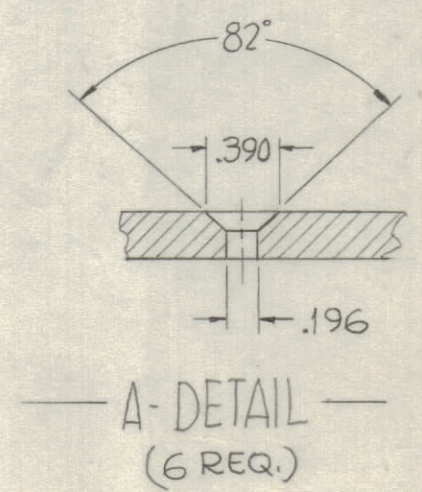


REVISIONS						
ZONE	SYM	DESCRIPTION	DATE	E.M.N. NO.	DRAFT	CHKD
	X1	C HOLES ADDED	7-15-64			
	O	ORIGINAL RELEASE FOR PROD	5/12/64			
	A	DIM. 5 1/2 WAS 8 1/8, RELOCATED "A" HOLES	7-14-64	11786	SRG	



HOLES:  
 A-DRILL & C'SINK FOR 10-32 (SEE DETAIL)  
 B-DRILL & TAP FOR 10-32 — 6 REQ.  
 C-DRILL & TAP FOR 8-32 — 2 REQ.



MS-3274  
 A

REQ'D.	ITEM	PART NUMBER	DESCRIPTION	SYMBOL
F. BUDETTI LIST OF MATERIAL				
MATERIAL		THE TECHNICAL MATERIEL CORP. MAMARONECK, NEW YORK		
FINISH		TITLE		
1/4 THICK ALUMINUM 2024-T4		PLATE, SUPPORT, CAPACITOR		
S404 YELLOW IRIDITE				
DRAWN	DATE	FINAL APPROVAL	DATE	
SRG	12-21-62	RCP		
CHECKED	DATE			
aa				
ELECT. DES.	DATE	MS-3274		
SB	5/1/64	A		
MECH. DES.	DATE	SHEET		
RLC	3/1/64	REV. LTR.		

GPT-200K (AT-105)		A-2766
Q'TY./UNIT	MODEL USED ON	ASS'Y. NO.
SCALE	CODE	
1/4"	A	

THE CONTENTS OF THIS DRAWING ARE THE EXCLUSIVE PROPERTY OF THE TECHNICAL MATERIEL CORP. ITS UNAUTHORIZED USE OR REPRODUCTION IN WHOLE OR IN PART IS STRICTLY FORBIDDEN.

NOTES