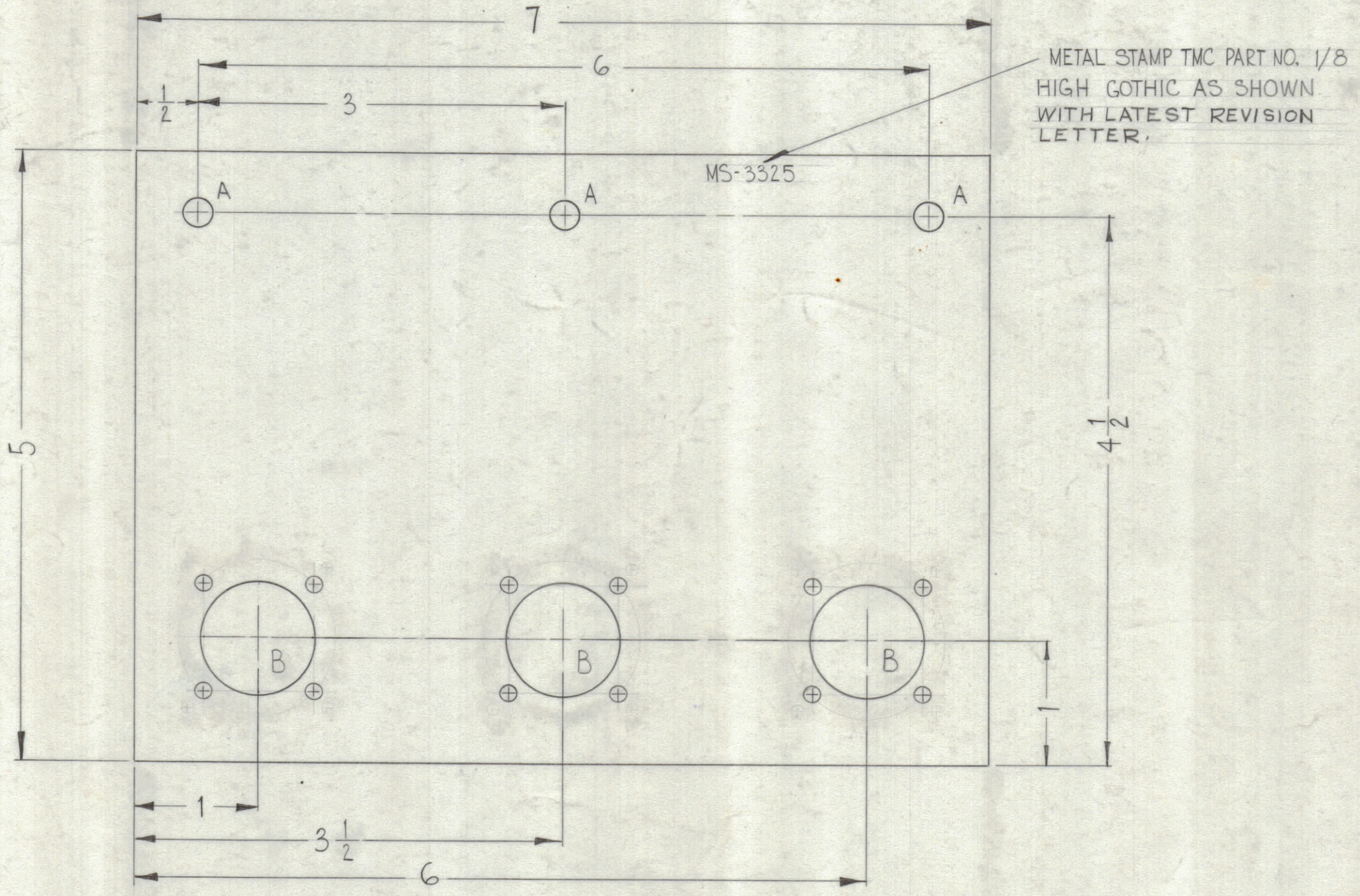
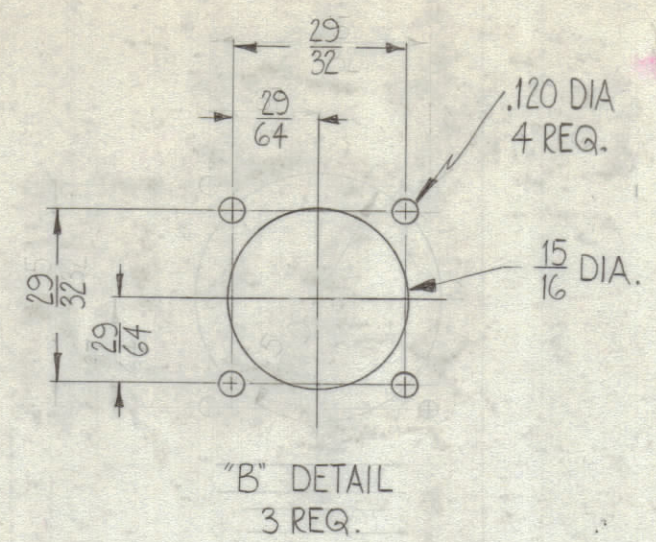


HOLE	DESCRIPTION	REQ.
A	15/64 DIA.	3

REVISIONS						
ZONE	SYM	DESCRIPTION	DATE	E.M.N. NO.	DRAFT	CHKD APPD
-	O	ORIGINAL RELEASE FOR PRODUCTION	5/29/64	O	A.M.	
-	A	CLERICAL CHANGE	9.3.64	+	JWB	M/S



MS-3325 A

REF: LD-1278

REQ'D.	ITEM	PART NUMBER	DESCRIPTION	SYMBOL
F. BUDETTI LIST OF MATERIAL				
MATERIAL	1/8 ALUMINUM 5052-H32		THE TECHNICAL MATERIEL CORP. MAMARONECK, NEW YORK	
FINISH	S404 YELLOW IRIDITE		CONNECTOR, MOUNTING PLATE, PA FANS	
UNLESS OTHERWISE SPECIFIED DIMENSIONS ARE IN INCHES AND INCLUDE CHEMICALLY APPLIED OR PLATED FINISHES			DRAWN W.A. FRANCO	DATE 3-23-63
DECIMALS .X ± .05 .XX ± .01 .XXX ± .005			CHECKED aa	DATE [Signature]
FRACTIONS ± 1/64 ANGLES ± 0° 30'			ELECT. DES. [Signature]	DATE [Signature]
TOLERANCES			MECH. DES. [Signature]	DATE [Signature]
NOTES			DATE [Signature]	DATE [Signature]
THE CONTENTS OF THIS DRAWING ARE THE EXCLUSIVE PROPERTY OF THE TECHNICAL MATERIEL CORP. ITS UNAUTHORIZED USE OR REPRODUCTION IN WHOLE OR IN PART IS STRICTLY FORBIDDEN.			DATE [Signature]	DATE [Signature]
SCALE 1=1			DATE [Signature]	DATE [Signature]
CODE A			DATE [Signature]	DATE [Signature]
ASS'Y. NO. AX-395			DATE [Signature]	DATE [Signature]
MODEL USED ON GPT-200K			DATE [Signature]	DATE [Signature]
Q'TY./UNIT 1			DATE [Signature]	DATE [Signature]