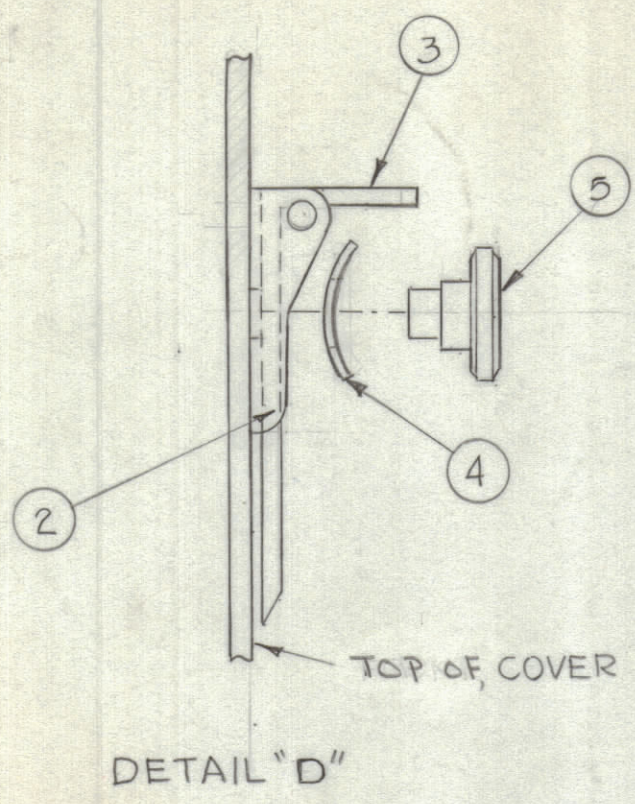


REVISIONS							
ZONE	SYM	DESCRIPTION	DATE	E.M.N. NO.	DRAFT	CHKD	APPD

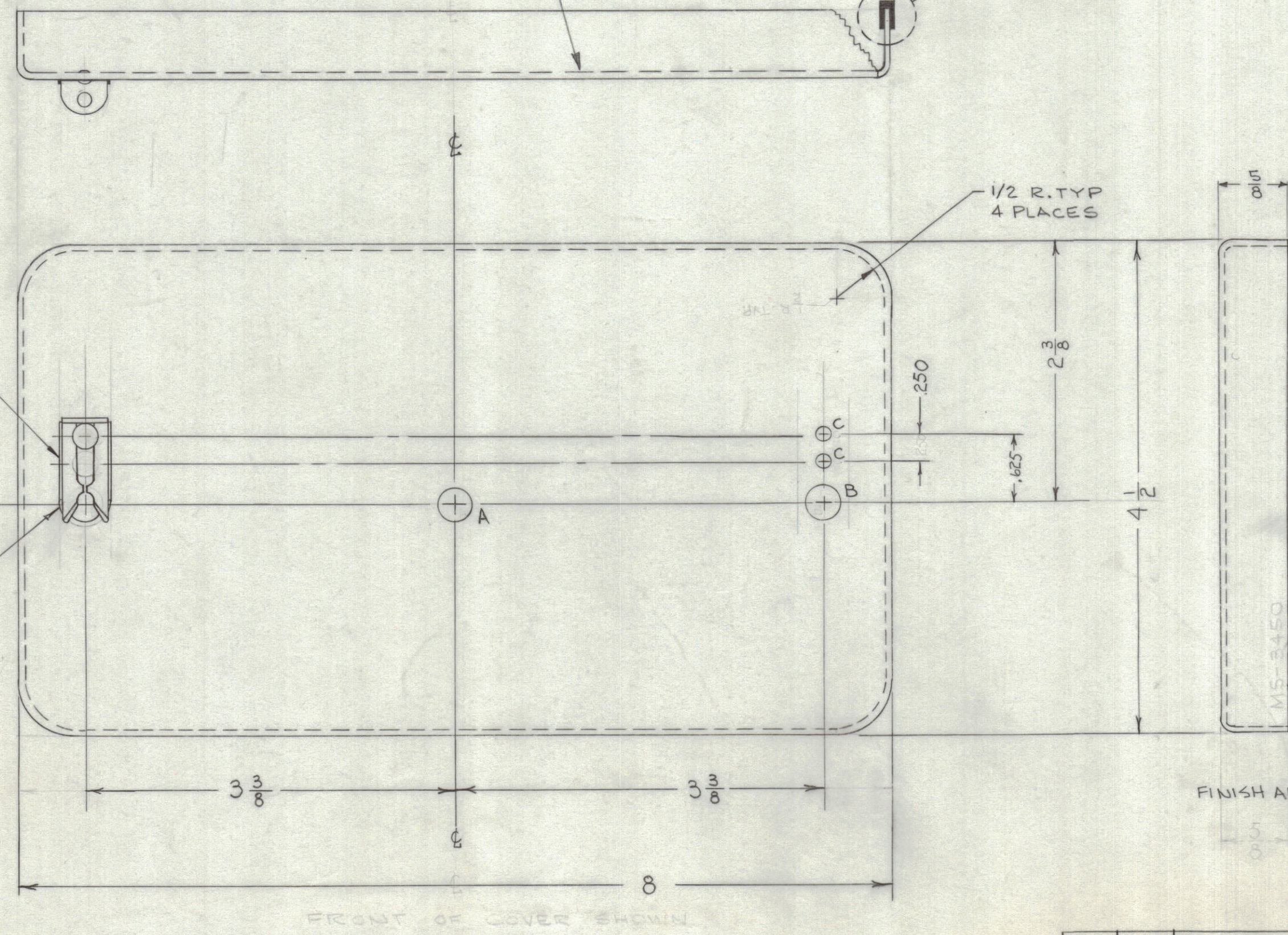


STAMP TMC PART NO. MS-3450 ON REAR OF COVER. (1/8 BLACK GOTHIC LETTERING)

1 ATTACH GASKET TO COVER W/ITEM G

HOLE	DESCRIPTION	REQ
A	5/16 DIA	1
B	2/16 DIA	2
C	.1285 DIA	4

HOLE DIMENSIONS  
 A - 5/16 DIA  
 B - 2/16 DIA  
 C - #30 DRILL (.1285 DIA)



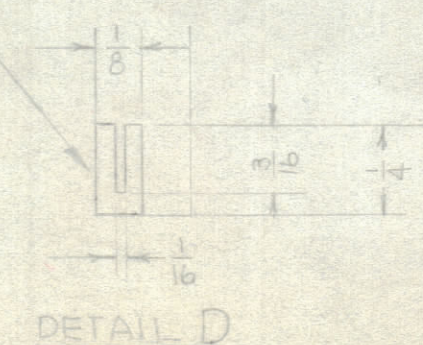
2 3 4 5  
 MOUNT ITEMS ON FRONT OF COVER AS SHOWN USING "C" AND "B" HOLES

SEE DETAIL "D"

METAL STAMP TMC PART NO. 1/8 HIGH GOTHIC

NOTES:  
 1. .064 THK ALUM. ~ DEEP DRAWN  
 FINISH NOTES:  
 1. S404 YELLOW IRIDITE  
 2. S114 ZINC CHROMATE PRIMER  
 3. S115 SMOOTH GRAY ENAMEL

NOTE 1- GASKET MATERIAL - REF MINOR RUBBER CO. 2X-4065 NEOPRENE BLACK DURO 50-60 OR TMC NO. RY-140-1 TO BE APPLIED TO PERIPHERY AS SHOWN AFTER FINISHING



REQ'D.	ITEM	PART NUMBER	DESCRIPTION	SYMBOL
X	G	GL-129-	ADHESIVE, QUICK SETTING	
2	5	FS-120-2	POST, SNAPSLIDE FASTENER	
2	4	WA-131-23	WASHER, SPRING TENSION	
2	3	FS-118-2	LATCH, SNAPSLIDE FASTENER	
2	2	FS-119-3	LATCH GUIDE, SNAPSLIDE FASTENER	
1	1	RY-140-1-24.00	GASKET, BLACK NEOPRENE	

JORDAN LIST OF MATERIAL E3037-96			
MATERIAL SEE NOTE 1		THE TECHNICAL MATERIEL CORP. MAMARONECK, NEW YORK	
FINISH SEE FINISH NOTES		TITLE COVER, FRONT PANEL CONTROL	
DRAWN JLW	DATE 6/11/63	FINAL APPROVAL [Signature]	DATE
CHECKED HLE	DATE 9/7/63		
ELECT. DES. RKOHN	DATE 1-16-64	MS-3450	
MECH. DES. W. JORDAN	DATE 1/16/64	SHEET	REV. LTR.

QTY./UNIT	MODEL USED ON	ASS'Y. NO.
1	TTR-10	AX-418
SCALE 1:1	CODE A	S401-184 S401-230

NOTES

THE CONTENTS OF THIS DRAWING ARE THE EXCLUSIVE PROPERTY OF THE TECHNICAL MATERIEL CORP. ITS UNAUTHORIZED USE OR REPRODUCTION IN WHOLE OR IN PART IS STRICTLY FORBIDDEN.

MS-3450