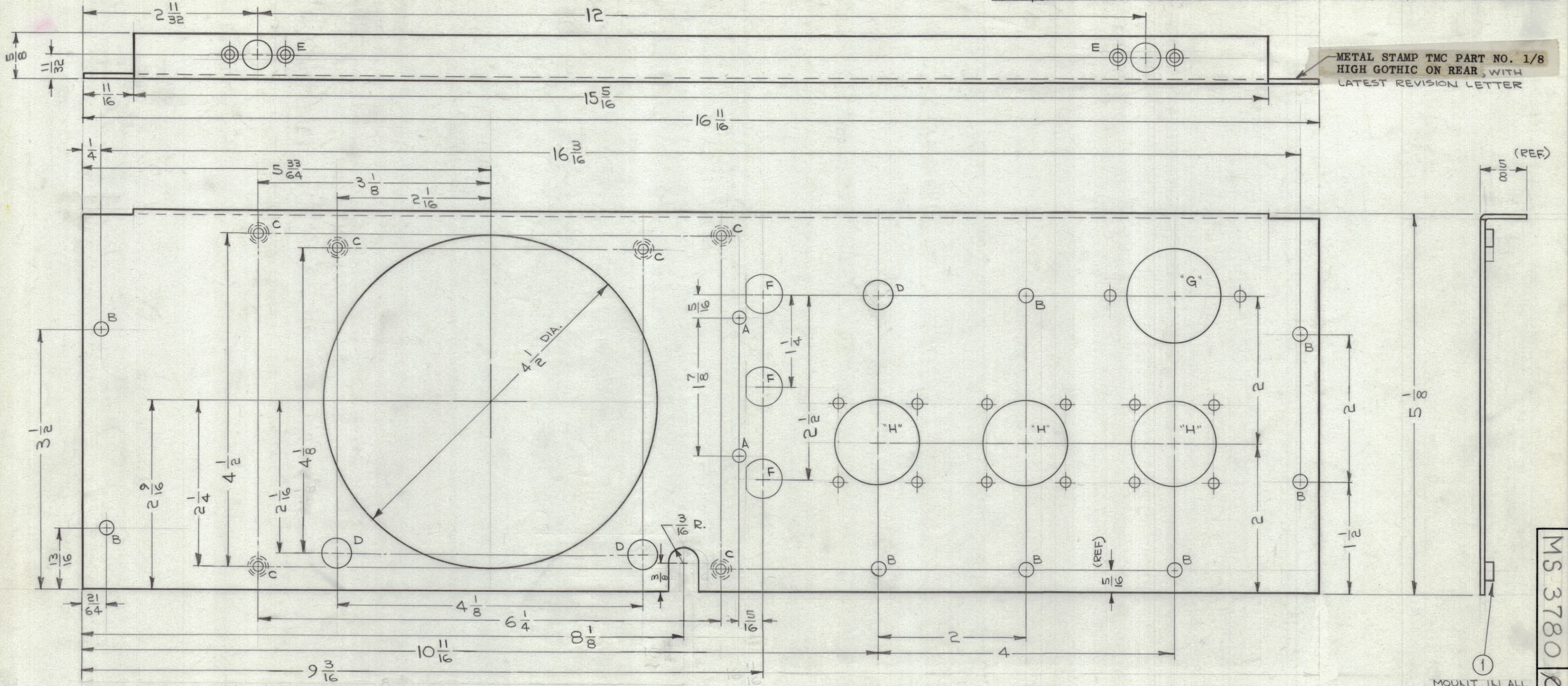


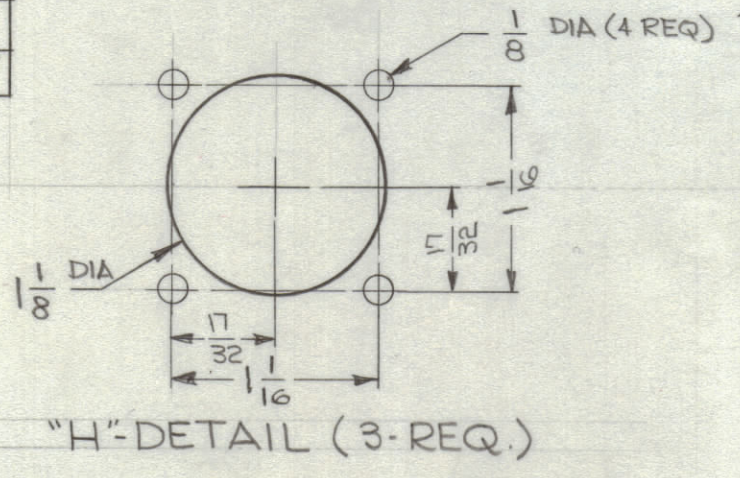
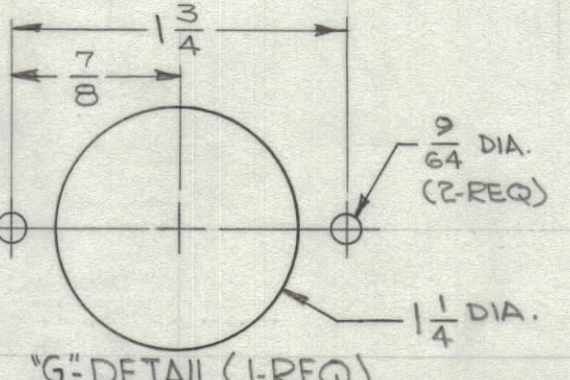
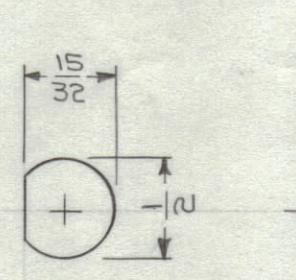
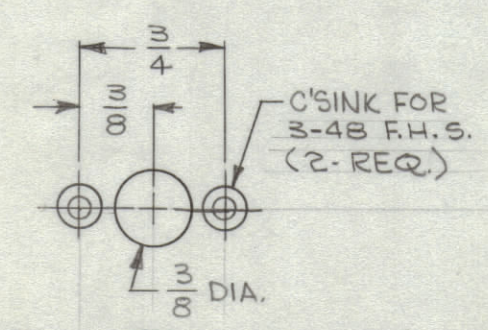
REVISIONS						
ZONE	SYM	DESCRIPTION	DATE	E.M.N. NO.	DRAFT	CHKD
	X	EXPER. RELEASE	4-21-64	1	<i>[Signature]</i>	
D4	X1	3/16 RADIUS SLOT ADDED	5-6-64	2	<i>[Signature]</i>	
D4, D2	X2	SLOT RELOCATED; DIM 5/16 REF ADDED	5-15-64	3	<i>[Signature]</i>	
	Ø	ORIGINAL RELEASE FOR PRODUCTION	11/1/65			



METAL STAMP TMC PART NO. 1/8 HIGH GOTHIC ON REAR, WITH LATEST REVISION LETTER

MS 3780

LEGEND		
HOLE	DESCRIPTION	REQ.
A	5/32 DIA.	2
B	11/64 DIA.	8
C	.191-.194 DIA.	6
D	3/8 DIA.	3
E	SEE DETAIL	2
F	SEE DETAIL	3
G	SEE DETAIL	1
H	SEE DETAIL	3



- UNLESS OTHERWISE SPECIFIED:
1. USE MATERIAL THICKNESS FOR MAXIMUM RADIUS ON ALL BENDS.
 2. ALL ANGULAR BENDS 90°.
 3. REMOVE ALL BURRS AND SHARP EDGES.
 4. MOUNT INSERTS AFTER FINISHING.

REF: LD1522(4)

REQ'D.	ITEM	PART NUMBER	DESCRIPTION	SYMBOL
6	1	NT129-632-4	NUT, ROUND, SWAGE TYPE	C

O. POSE		LIST OF MATERIAL	
MATERIAL	.064, ALUMINUM 5052-H32	THE TECHNICAL MATERIEL CORP. MAMARONECK, NEW YORK	
FINISH	8-404, YELLOW IRIDITE	TITLE: PLATE, REAR FAN	
UNLESS OTHERWISE SPECIFIED DIMENSIONS ARE IN INCHES AND INCLUDE CHEMICALLY APPLIED OR PLATED FINISHES		DRAWN	DATE
DECIMALS	TOLERANCES	DATE	DATE
.XX ± .01	± 1/64	DATE	DATE
.XXX ± .005	± 0° 30'	DATE	DATE

NOTES

THE CONTENTS OF THIS DRAWING ARE THE EXCLUSIVE PROPERTY OF THE TECHNICAL MATERIEL CORP. ITS UNAUTHORIZED USE OR REPRODUCTION IN WHOLE OR IN PART IS STRICTLY FORBIDDEN.