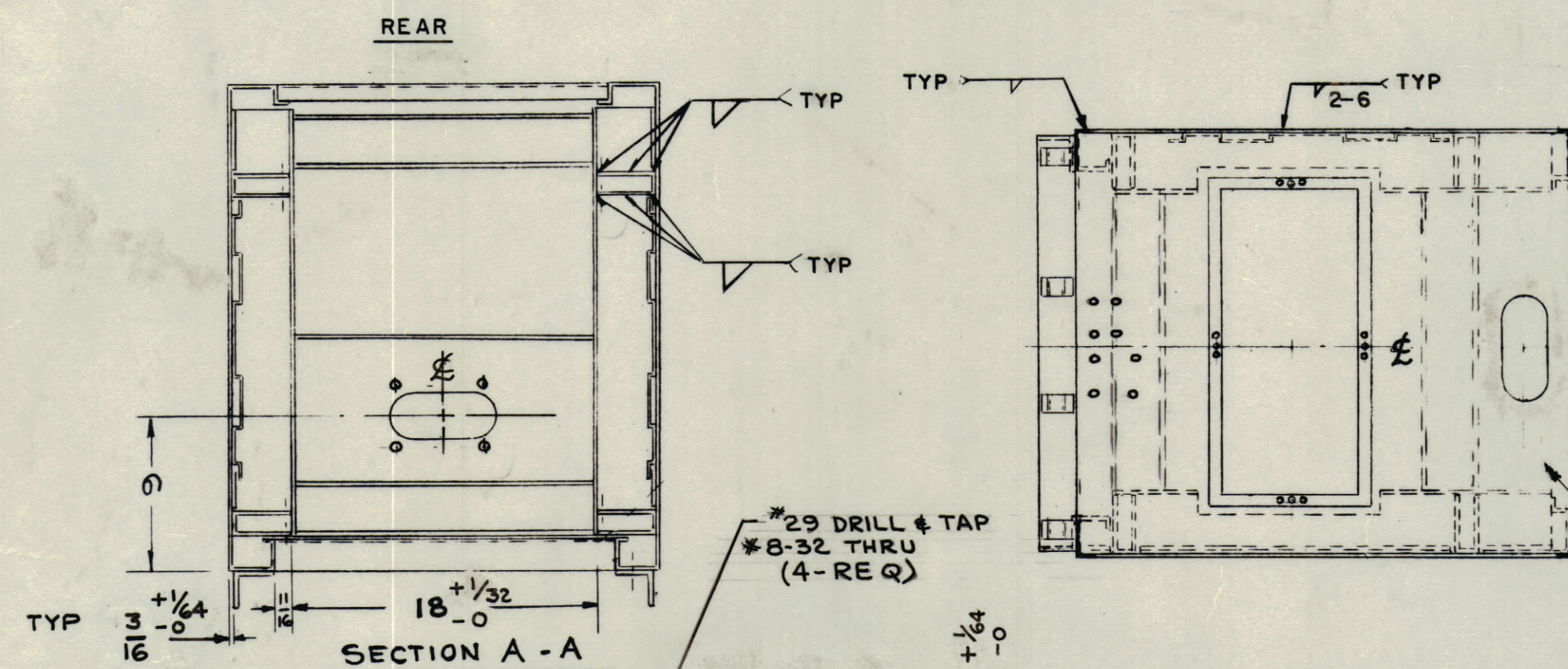
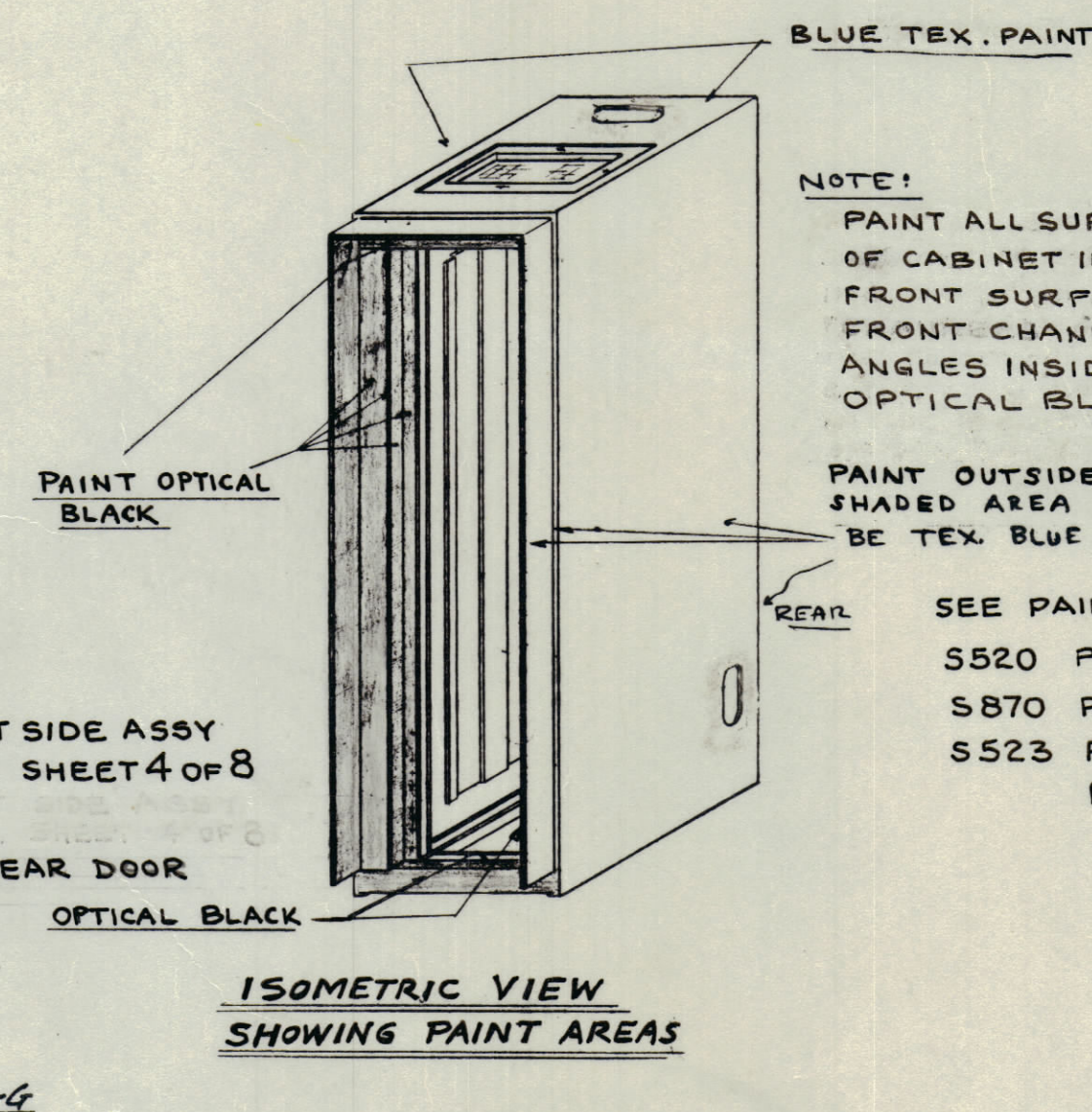
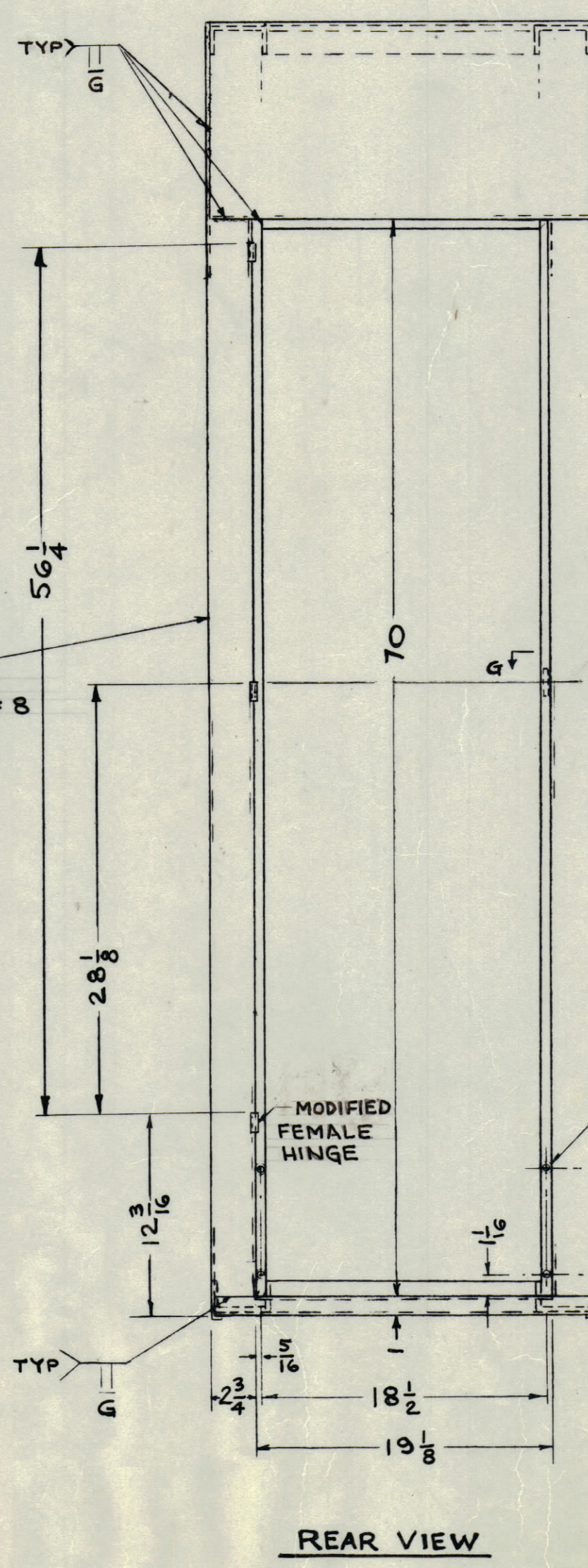
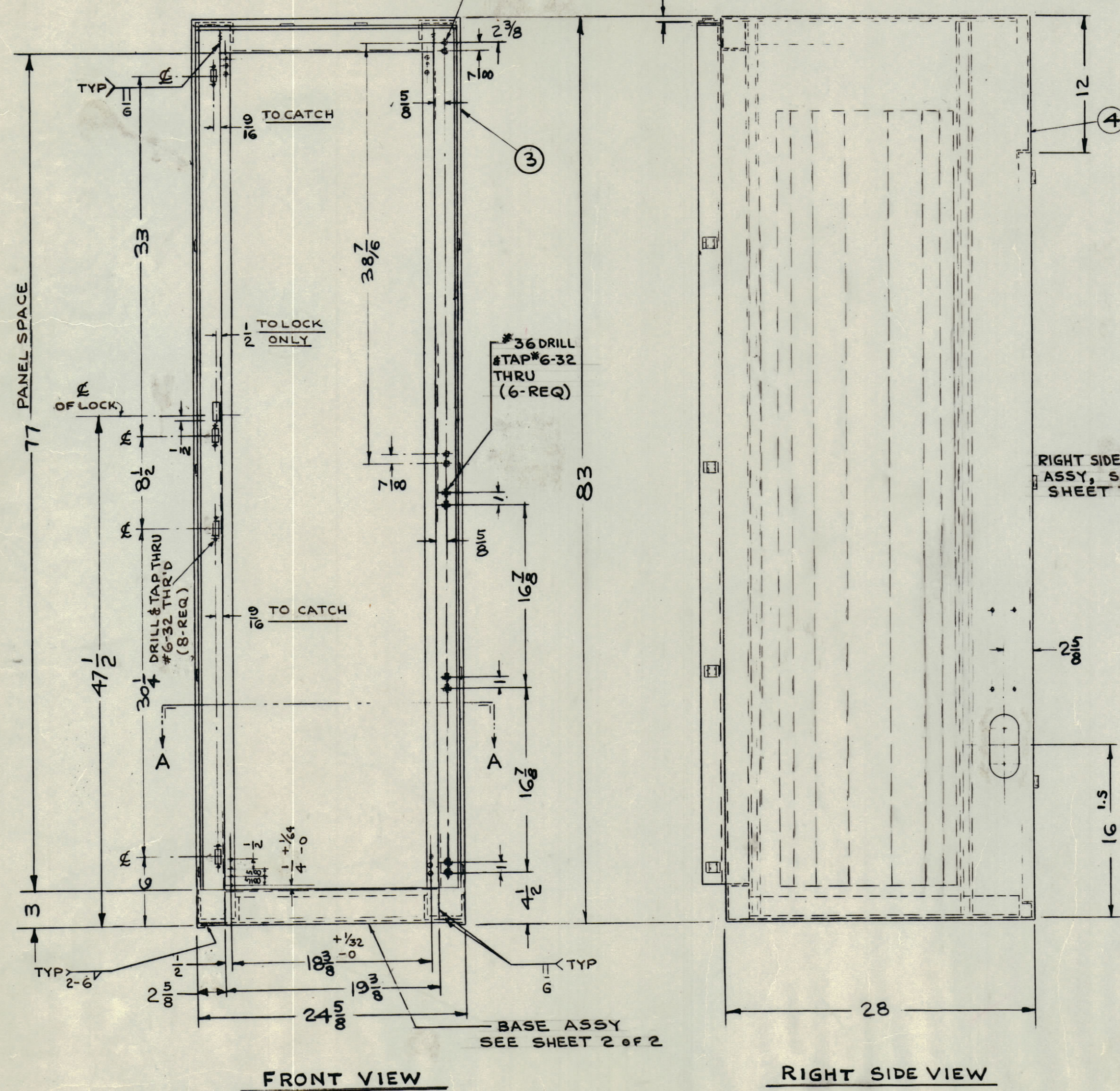


ZONE		REVISIONS			DATE	E.M.N. NO.	DRAFT	CHKD	APPD
X	1	EXPER. RELEASE			11-15-64	X			
Ø	2	ORIGINAL RELEASE FOR PRODUCTION			11-25-64	Ø	J.P.		



TOP ASSY, SEE SHEET 8 OF 8



NOTE:
 PAINT ALL SURFACES ON FRONT OF CABINET INCLUDING THE FRONT SURFACES OF THE FRONT CHANNELS & THE TRIM ANGLES INSIDE & OUTSIDE OPTICAL BLACK.

PAINT OUTSIDE UNSHADED AREA TO BE TEX. BLUE PAINT

SEE PAINT SPECS
 S520 PAINT, BLUE-GREY TEXTURED
 S870 PAINT, BLACK FLAT
 S523 PAINT, BLUE-GREY SMOOTH FOR INSIDE CABINET

INDEX	
SHEET NO.	DESCRIPTION
1	CABINET ASSY
2	BASE ASSY
3	BASE DETAILS
4	LEFT SIDE ASSY
5	SIDE DETAILS
6	COMMON & SIDE DETAILS
7	RIGHT SIDE ASSY
8	TOP ASSY & DETAIL

LOCK SHIM, REAR DOOR SEE DET. Y" SH. 6 OF 8
 OPTICAL BLACK
 SECTION 6-4
 +.003
 (4) .250 -.000 DIA. HOLES
 (1) INSTALL (4) NUTS ON FAR SIDE

REQ'D.	ITEM	PART NUMBER	DESCRIPTION	SYMBOL
18	4	NT129-420-4	NUT, PLAIN, SPLINE (SEE SH. 8, 5)	
3	3	HI120-1	HINGE, FEMALE (SEE SH. 7)	
14	2	MS3901	CLIP, TRIM (SEE SH. 5 & 8)	
4	1	NT129-1032-4	NUT, PLAIN, SPLINE (SEE SH. 1)	

STURMER		LIST OF MATERIAL	
MATERIAL	AS NOTED ON EACH SHEET	TITLE	THE TECHNICAL MATERIEL CORP. MAMARONECK, NEW YORK
FINISH	SEE NOTE	TITLE	CABINET, ELEC. EQUIPMENT
SCALE	1 A	SCALE	UNLESS OTHERWISE SPECIFIED DIMENSIONS ARE IN INCHES AND INCLUDE CHEMICALLY APPLIED OR PLATED FINISHES
STY/UNIT	1 RAK 102-1 A 3896	DRAWN	DATE 11-15-64
CODE	A	CHECKED	DATE 11-23-64
THE CONTENTS OF THIS DRAWING ARE THE EXCLUSIVE PROPERTY OF THE TECHNICAL MATERIEL CORP. ITS UNAUTHORIZED USE OR REPRODUCTION IN WHOLE OR IN PART IS STRICTLY FORBIDDEN.		DECIMALS	1/100
		FRACTIONS	1/64
		TOLERANCES	± .005
		ANGLES	± .01
		MECH. DES.	DATE 11-25-64
		SHEET	OF 8
		REV. LTR.	

MS3884