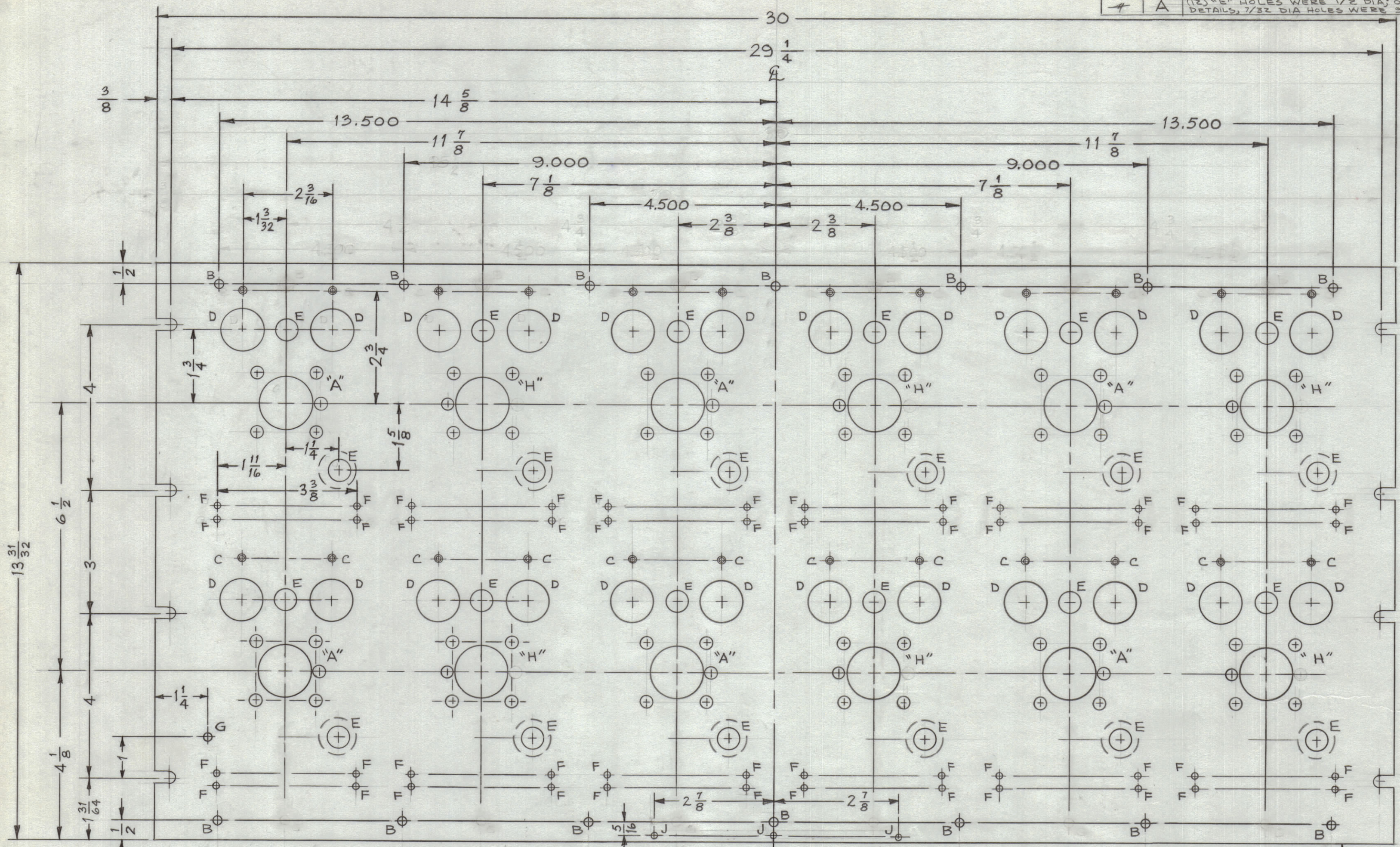
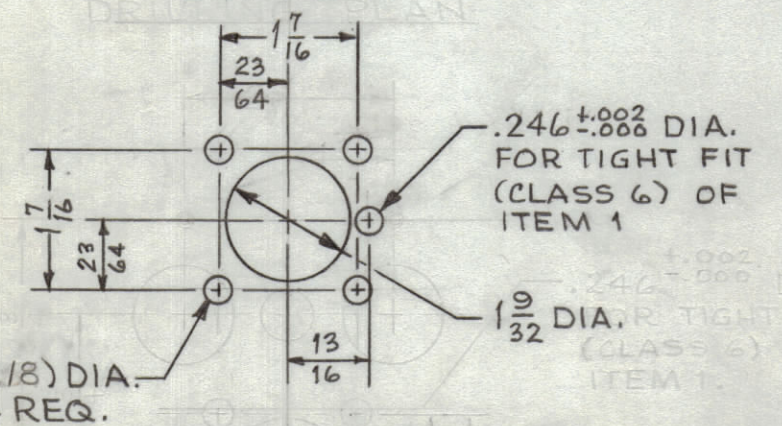


REVISIONS							
ZONE	SYM	DESCRIPTION	DATE	E.M.N. NO.	DRAFT	CHKD	APPD
	Ø	ORIGINAL RELEASE FOR PRODUCTION	10-13-64		G-D.L.		
4	A	(12) "E" HOLES WERE 1/2 DIA; ON "A" & "H" DETAILS, 7/32 DIA HOLES WERE 3/32 DIA.	3-22-65	13681			

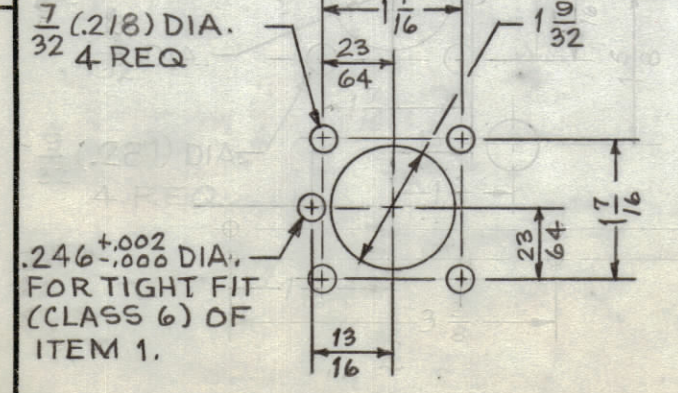


ITEM 1  
(SEE NOTE 1)

DRILLING PLAN  
DETAIL "A"



DETAIL "H"



**MACHINING:**  
 1. MILL ALL EDGES.  
 2. HOLES MUST BE DRILLED, UNLESS OTHERWISE SPECIFIED.  
 3. LATERAL BOW OF PANEL MUST BE KEPT TO .031 TOLERANCE.  
 4. PANEL MUST BE FREE OF ALL MACHINING MARKS, GOUGES AND SCRATCHES. IF NECESSARY, SAND FRONT OF PANEL WITH NO. 120 GRIT SANDPAPER.

**FINISH NOTES:**  
 1. S404 - IRIDITE 14-2 AL-COAT.  
 2. S114 - ZINC CHROMATE PRIMER } FRONT AND  
 3. S115 - SMOOTH GRAY ENAMEL } EDGES ONLY

**NOTE:**  
 1. MOUNT ITEM 1 AS SHOWN AFTER FINISHING (12 PLACES)  
 2. TOLERANCES ARE NOT ACCUMULATIVE.

**NOTES**

**LEGEND**

HOLE	DESCRIPTION	REQ
A	SEE DETAIL "A"	6
B	.144 DIA. CSK 82° TO .091 DIA.	14
C	DRILL & TAP FOR 3-48 & CSK 82° TO .204 DIA. (FRONT OF PANEL)	24
D	1.000 DIA.	24
E	7/16 DIA. C-BORE FROM REAR 7/8 DIP x 3/32 DEEP	12
F	1/8 (.125) DIA	48
G	13/64 DIA.	1
H	SEE DETAIL "H"	6
J	.070 DIA.	3

**METAL STAMP TMC PART NO. MS-4029  
ON REAR OF PANEL 1/8 HIGH GOTHIC  
W/LATEST REVISION**

REQ'D.	ITEM	PART NUMBER	DESCRIPTION	SYMBOL
12	1	BB-115	BEARING, OILITE	

**MARTINENGO LIST OF MATERIAL**

MATERIAL ALUMINUM 3/16 2024 - T3	TITLE PANEL, FRONT TRANSMITTING
FINISH SEE NOTES	DRAWN M. TANTILLO
UNLESS OTHERWISE SPECIFIED DIMENSIONS ARE IN INCHES AND INCLUDE CHEMICALLY APPLIED OR PLATED FINISHES	CHECKED @
DECIMALS .X ± .05 .XX ± .01 .XXX ± .005	TOLERANCES ± 1/64 ANGLES ± 0° 30'
DATE 7-27-64	FINAL APPROVAL KRC
DATE 10-13-64	DATE 10-13-64
ELECT. DES. DATE	MECH. DES. DATE
	DATE 10-13-64
	SHEET

1 QDP-PA-107  
 Q'TY./UNIT MODEL USED ON ASSY. NO.  
 SCALE 1:2 CODE A

THE CONTENTS OF THIS DRAWING ARE THE EXCLUSIVE PROPERTY OF THE TECHNICAL MATERIEL CORP. ITS UNAUTHORIZED USE OR REPRODUCTION IN WHOLE OR IN PART IS STRICTLY FORBIDDEN.

MS-4029 A