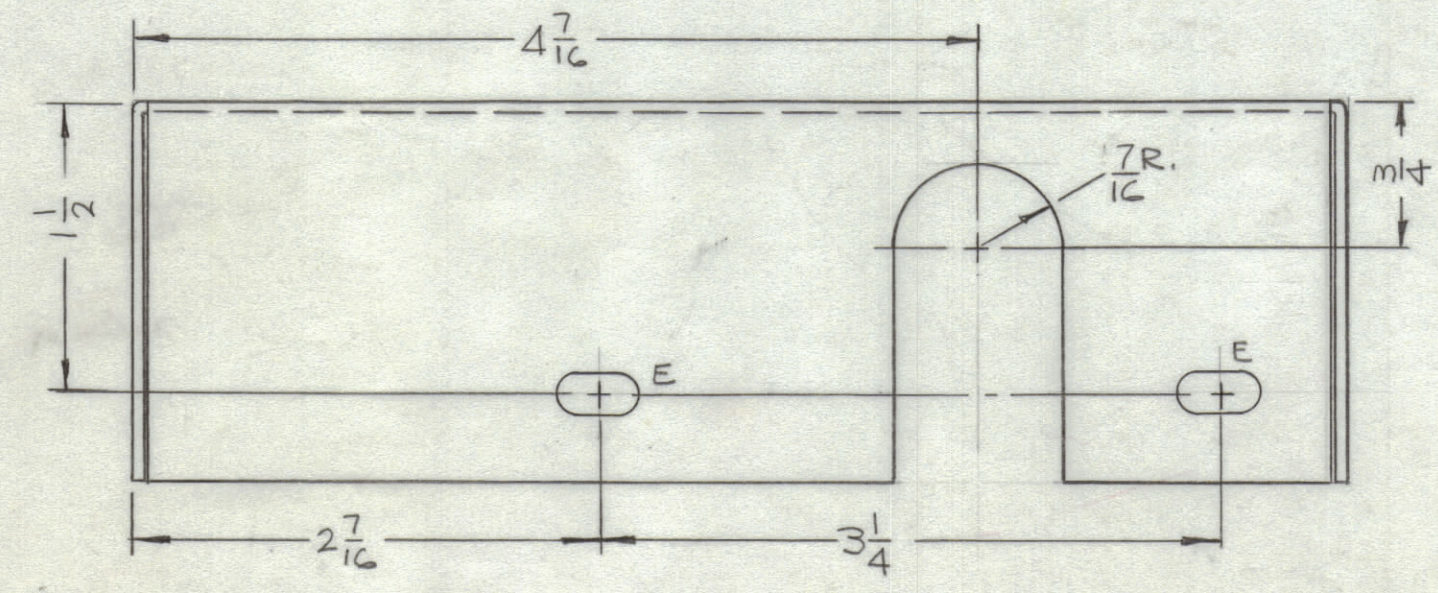
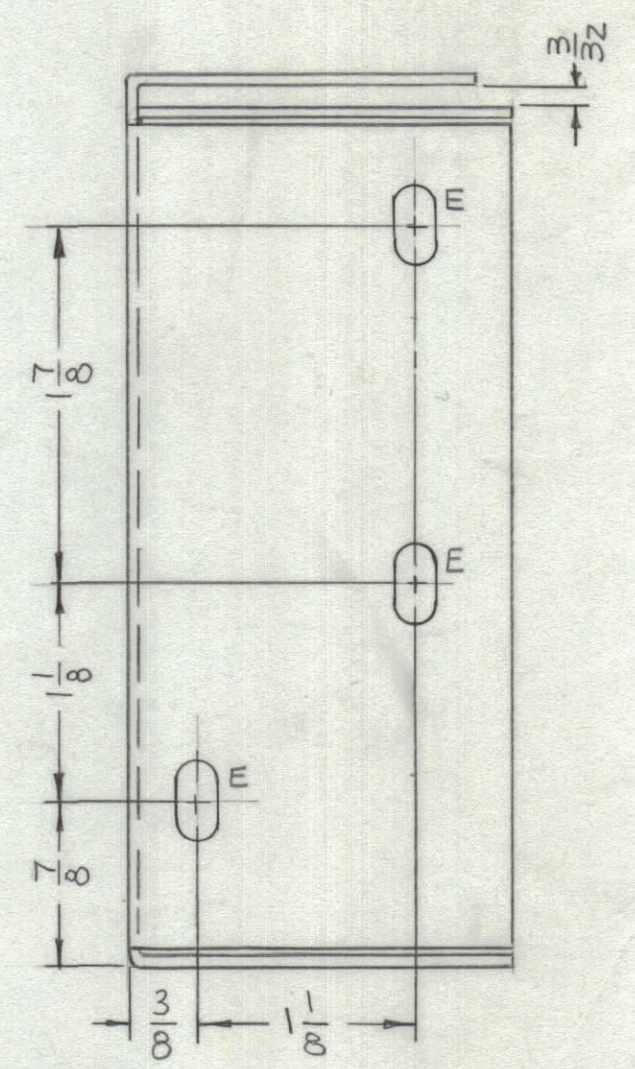
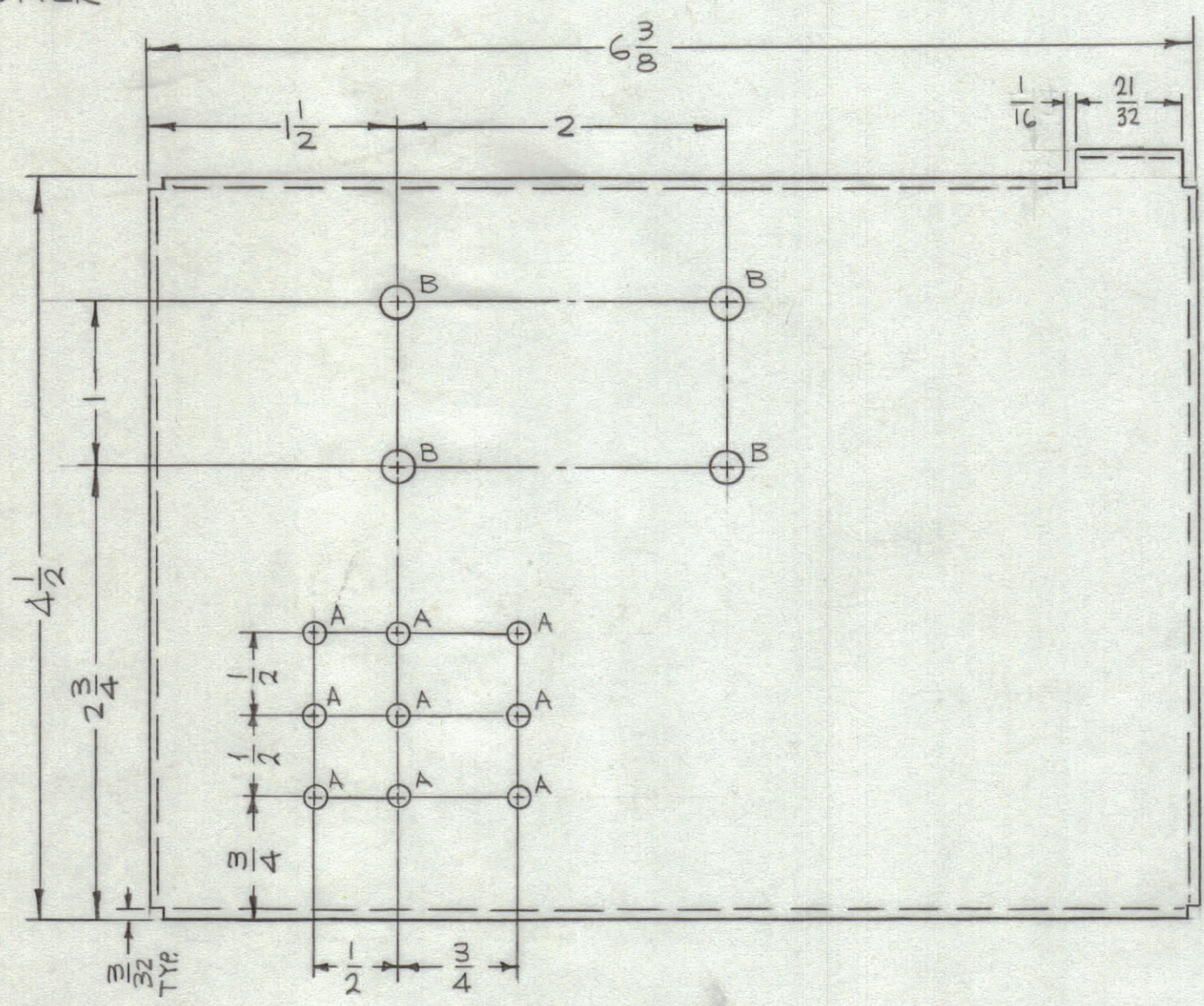
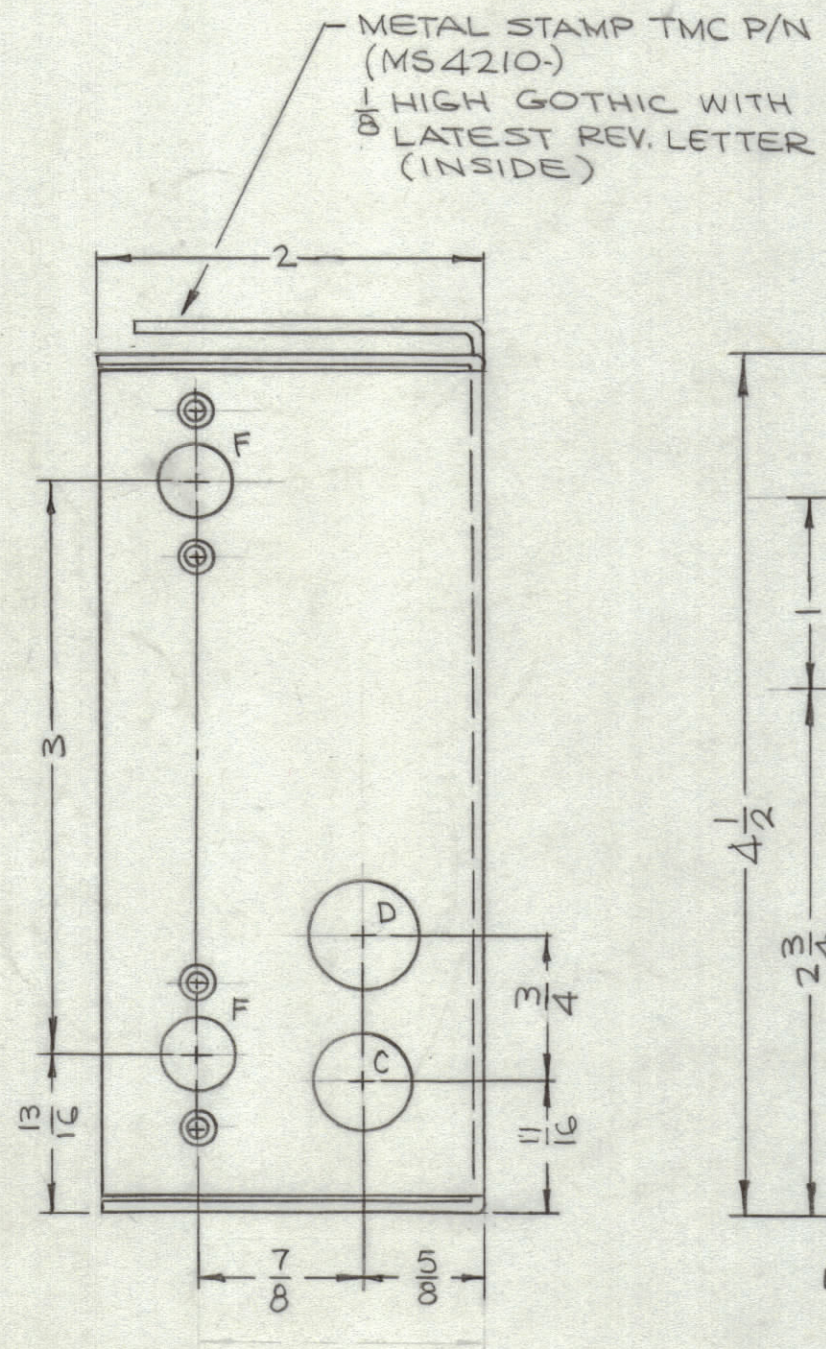
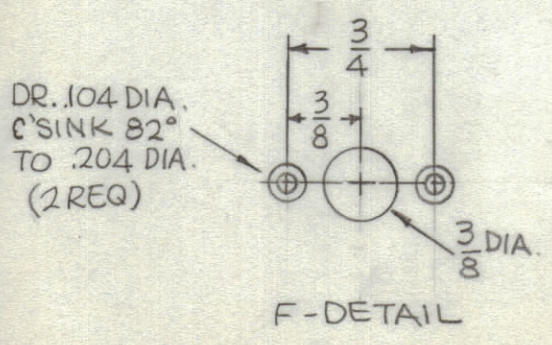


REVISIONS					
ZONE	SYM	DESCRIPTION	DATE	E.M.N. NO.	APPD
	X1	G-3/8 DIM WAS MISSING	11-10-65	X1	
	Ø	ORIGINAL RELEASE FOR PRODUCTION	12/21/65	Ø	



HOLES	DESCRIPTION	REQ.
A	9/64 DIA.	9
B	13/64 DIA.	4
C	1/2 DIA.	1
D	9/16 DIA.	1
E	13/64 X 13/32 SLOT	5
F	SEE DETAIL	2



UNLESS OTHERWISE SPECIFIED:

- USE MATERIAL THICKNESS FOR MAXIMUM RADIUS ON ALL BENDS
- ALL ANGULAR BENDS 90 DEGREES
- REMOVE ALL BURRS AND SHARP EDGES

NOTES

1	GPT-10KLF	
Q'TY./UNIT	MODEL USED ON	ASS'Y. NO.
SCALE 1:1	CODE A	
THE CONTENTS OF THIS DRAWING ARE THE EXCLUSIVE PROPERTY OF THE TECHNICAL MATERIEL CORP. ITS UNAUTHORIZED USE OR REPRODUCTION IN WHOLE OR IN PART IS STRICTLY FORBIDDEN.		

REF: LD1694

REQ'D.	ITEM	PART NUMBER	DESCRIPTION	SYMBOL
F. BUDETTI LIST OF MATERIAL				
MATERIAL 1.081 THICK ALUMINUM 5052-H32			THE TECHNICAL MATERIEL CORP. MAMARONECK, NEW YORK	
FINISH S404 YEL. IRIDITE			TITLE BOX, JUNCTION	
DRAWN	DATE 11-8-65	FINAL APPROVAL	DATE 12/21/65	
CHECKED	DATE 12-14-65			
ELECT. DES.	DATE	MS4210		
MECH. DES.	DATE			
DECIMALS .X ± .05 .XX ± .01 .XXX ± .005	FRACTIONS ± 1/64	TOLERANCES	ANGLES ± 0° 30'	REPROV. NO. 440H 21539

MS4210