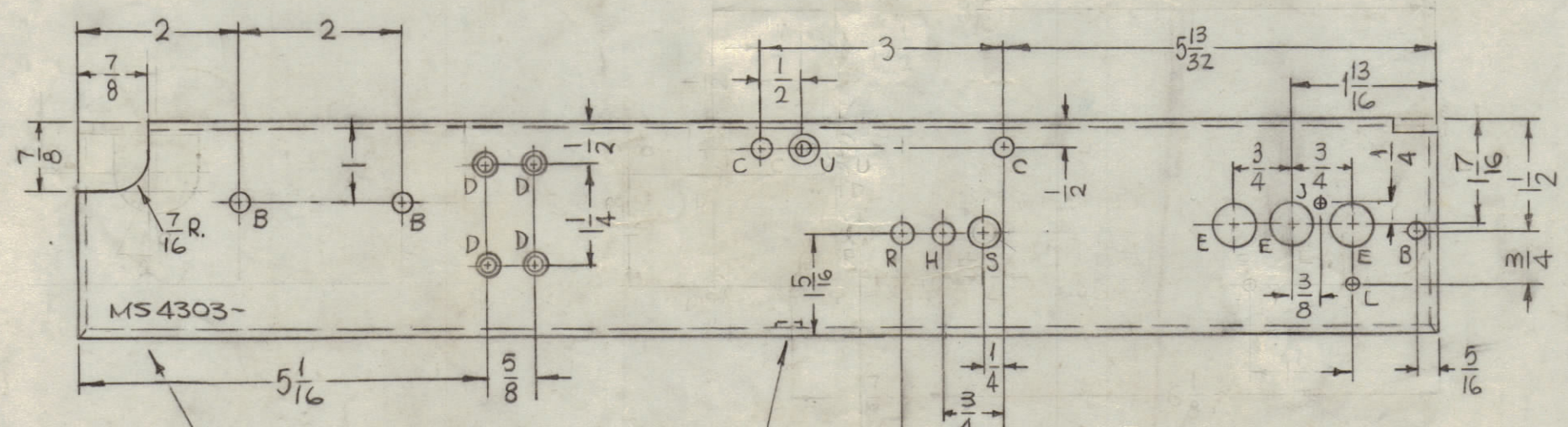
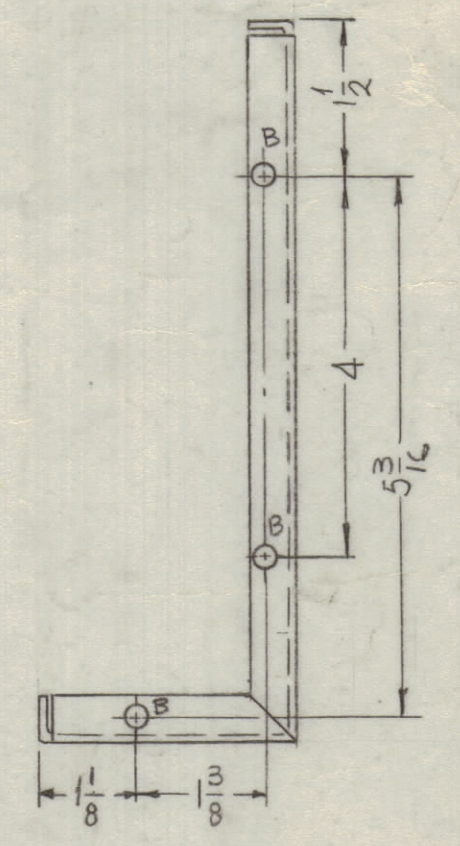
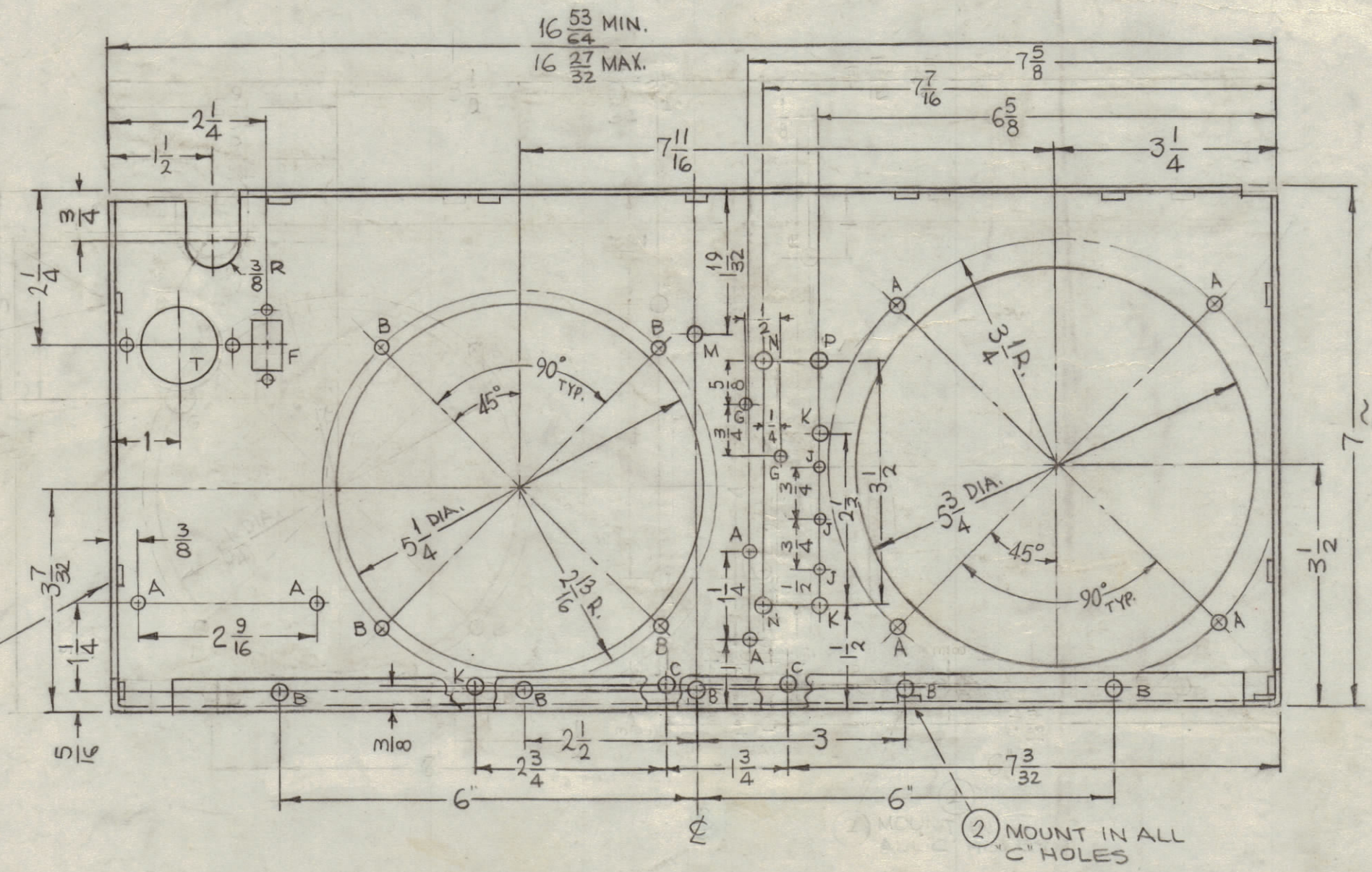
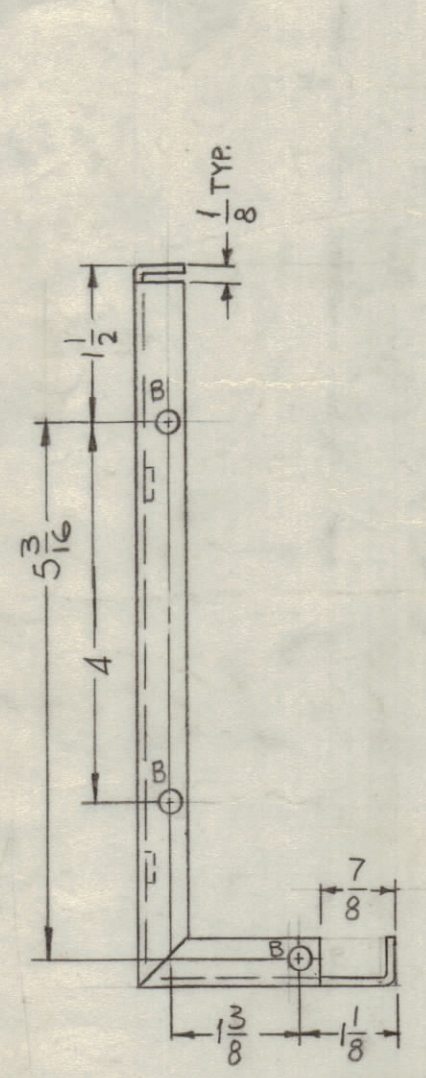
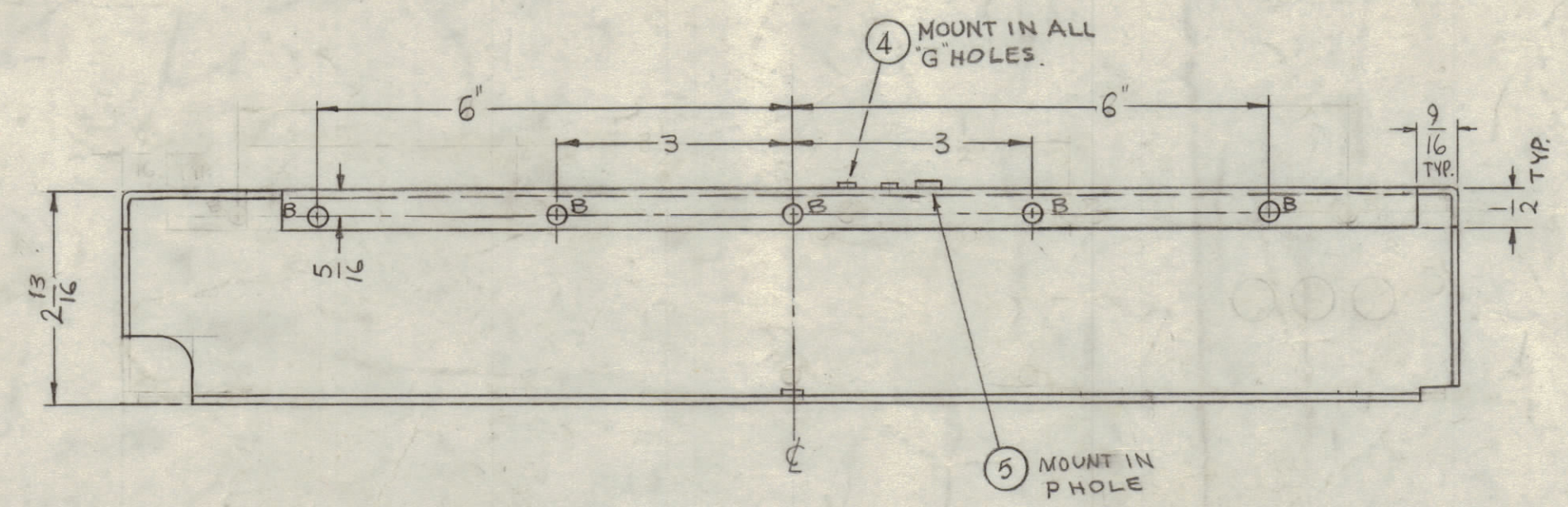
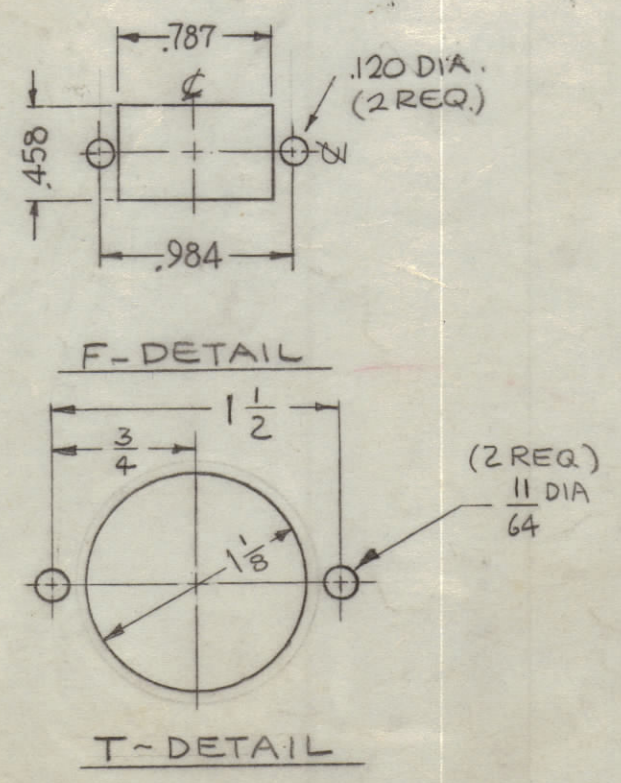


REVISIONS							
ZONE	SYM	DESCRIPTION	DATE	E.M.N. NO.	DRAFT	CHKD	APPD
X		EXP. RELEASE	12-19-64	X	SRG		
X1		DIM. 7/16 WERE 8/16. 1A HOLES DELETED, 3V2 WAS 3/8"	12-29-64	X1	SRG		
X2		COMPLETELY REVISED	1-7-65	X2	SRG		
X3		M HOLES ADDED	1-11-65	X3	SRG		
X4		R'S HOLES WERE H HOLES, T HOLES ADDED	1-13-65	X4	SRG		
X5		DIM 3/4 FOR SLOT WAS 3/16. 13/16 HOLE DELETED	1-18-65	X5	SRG		
X6		2G HOLES FOR GND STRAP RELOCATED & WERE 10-32	2-15-65	X6	SRG		
X7		2 "A" HOLES ADDED, T-DETAIL ADDED	4-26-65	X7	SRG		
X8		1 K HOLE ADDED	6-11-65	X8	SRG		
X9		1 U ± 1 J HOLE ADDED	6-29-65	X9	SRG		
X10		DIM 1/4 WAS 1/8 - ONE J HOLE RELOCATED	7-9-65	X10	GDL		
		ORIGINAL RELEASE FOR PRODUCTION	6-7-66		WHO		



HOLES	DESCRIPTION	REQ.
A	11/64 DIA.	8
B	.191-.194	23
C	.221-.224	4
D	DR. 144 C'SINK 82° X .284 DIA.	4
E	1/2 DIA.	3
F	SEE DETAIL	1
G	.161-.164 DIA.	2
H	1/4 DIA.	4
J	1/8 DIA.	4
K	13/64 DIA.	3
L	.158±.002 DIA.	1
M	3/16 DIA.	1
N	15/64 DIA.	2
P	15/64 DIA.	1
R	3/16 DIA.	1
S	3/8 DIA.	1
T	SEE DETAIL	1
U	DR. 169 DIA. C'SINK 82° X .337 DIA.	1



MARK TMC PART NO. 1/8 HIGH GOTHIC WITH LATEST REV. LETTER.

NOTE: ALL NT'S ARE ON THE INSIDE OF CHASSIS, EXCEPT P&G HOLES.

UNLESS OTHERWISE SPECIFIED:
 1. USE MATERIAL THICKNESS FOR MAXIMUM RADIUS ON ALL BENDS
 2. ALL ANGULAR BENDS 90 DEGREES
 3. REMOVE ALL BURRS AND SHARP EDGES
 4. MOUNT INSERTS AFTER FINISHING

REF: LD 1761

REQ'D.	ITEM	PART NUMBER	DESCRIPTION	SYMBOL
2	4	NT129-440-4	NUT, PLAIN, SPLINE	G
1	3	TE174-2	SPACER, STANDOFF 8-32	F
2	2	NT129-832-4	NUT, PLAIN, SPLINE	C
2	1	NT129-632-4	NUT, PLAIN, SPLINE	B

F. BUDETTI		LIST OF MATERIAL	
MATERIAL	.081 THICK ALUMINUM 5052-H32	THE TECHNICAL MATERIEL CORP. MAMARONECK, NEW YORK	
FINISH	S404 YELLOW IRIDITE	TITLE CHASSIS, FINAL AMPL.	
UNLESS OTHERWISE SPECIFIED DIMENSIONS ARE IN INCHES AND INCLUDE CHEMICALLY APPLIED OR PLATED FINISHES	DRAWN SRG DATE 12-19-64	FINAL APPROVAL	DATE 1/10/65
DECIMALS ±.01 FRACTIONS ± 1/64	CHECKED JCS DATE	ELECT. DES.	DATE
MECH. DES.	DATE	MECH. DES.	DATE
TOLERANCES		ANGLES ± 0° 30'	
THE CONTENTS OF THIS DRAWING ARE THE EXCLUSIVE PROPERTY OF THE TECHNICAL MATERIEL CORP. ITS UNAUTHORIZED USE OR REPRODUCTION IN WHOLE OR IN PART IS STRICTLY FORBIDDEN.		MS4303	
SCALE 1/2:1		SHEET	

NOTES

MS4303