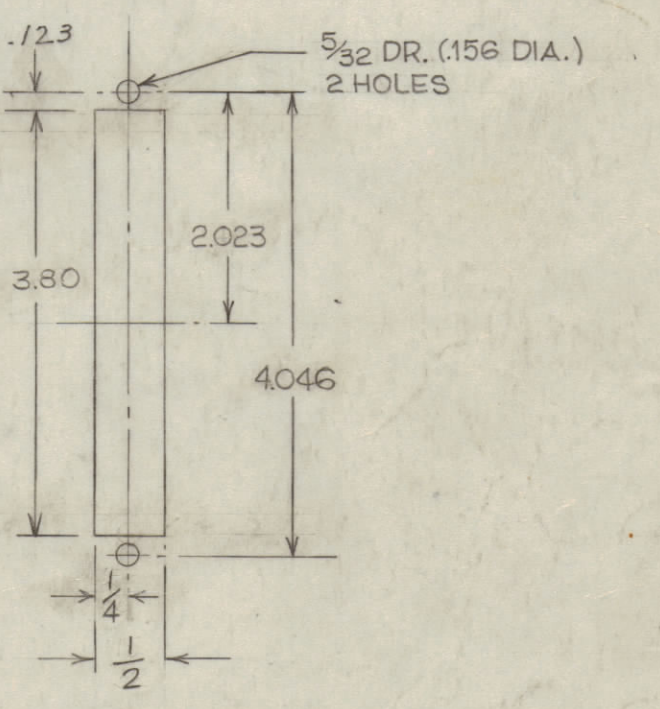
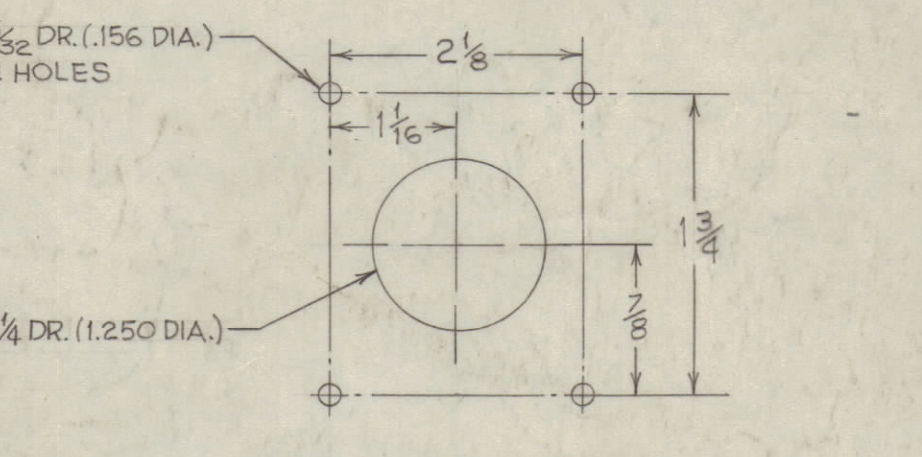
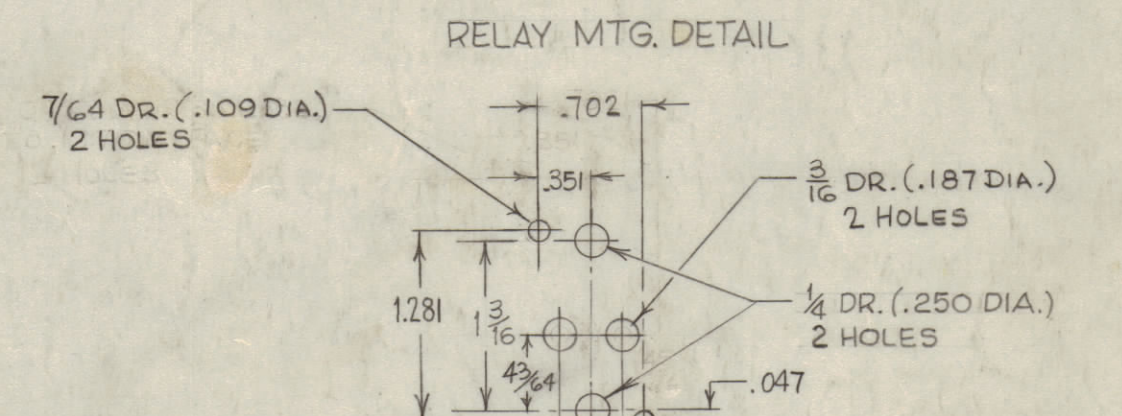
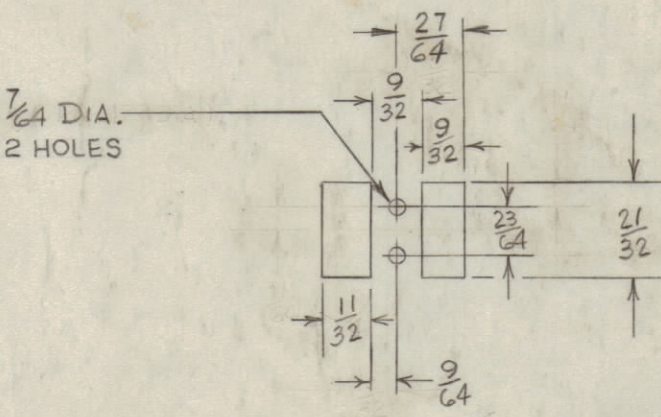
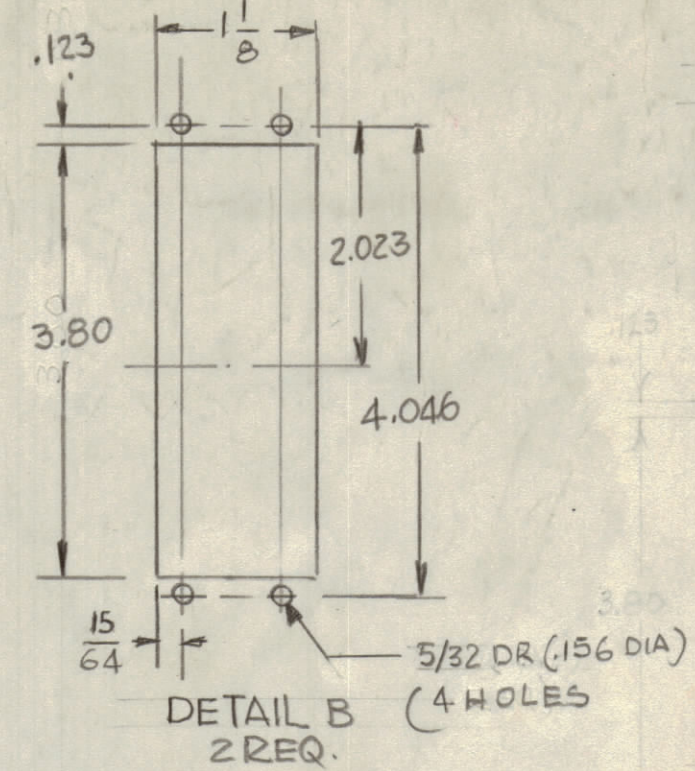


REVISIONS						
ZONE	SYM	DESCRIPTION	DATE	E.M.N. NO.	DRAFT	CHKD
	X1	REVISED CALY & TRANSISTOR MTS. DETAILS; MAT'L WAS 5005-H14 ALUM. 3/32 (0.93) THK.; THIS WAS PUG SUPPORT	4-2-65			HLD
	X2	REVISED & UPDATED; ADD. DETAIL B & IT. 1 & 2	4-22-65			CV
	Ø	ORIGINAL RELEASE FOR PRODUCTION	7-17-65			HA
	A	DELE. (2) 1/8 DIA HOLES & 1/16 DIA. HOLES WERE 1/8 DIA. & 1/2, 1-7/8 DIM WAS 3/4, 1-1/4	9-11-67	18470	H.G.	OP
	B	8 HOLES AND THREADED INSERTS ADDED	11-26-71	21585	PI	
AD, AB	C	DIMENSIONS 4 1/2 WAS 4 1/4 & 3 1/4 WAS 3 1/2 ITEM 1 WAS CU157-1	8-8-79	21670		



REF: LD1896

QTY.	UNIT	DESCRIPTION	
8	3	TE164-1	LVT, PLAIN CLINCH
46	2	EY101-3	EYELET, ROLLED FLANGE
23	1	CU157-4	RETAINER, PC BOARD

LIST OF MATERIAL			Formerly 5013-17		
REQ'D.	ITEM	PART NUMBER	DESCRIPTION	SYMBOL	
			MATERIAL		
			5052-H32 ALUMINIUM		
			.080 THICK STOCK		
			FINISH		
			S404-IBR-DITE		

NOTES  
I. DO NOT SCALE DRAWING.

NO.	DESCRIPTION
1	AX 5228
1	CMRA-1

SCALE: 3/4  
CODE: \_\_\_\_\_  
ASSY. NO.: \_\_\_\_\_

THE CONTENTS OF THIS DRAWING ARE THE EXCLUSIVE PROPERTY OF THE TECHNICAL MATERIEL CORP. ITS UNAUTHORIZED USE OR REPRODUCTION IN WHOLE OR IN PART IS STRICTLY FORBIDDEN.

MS4371