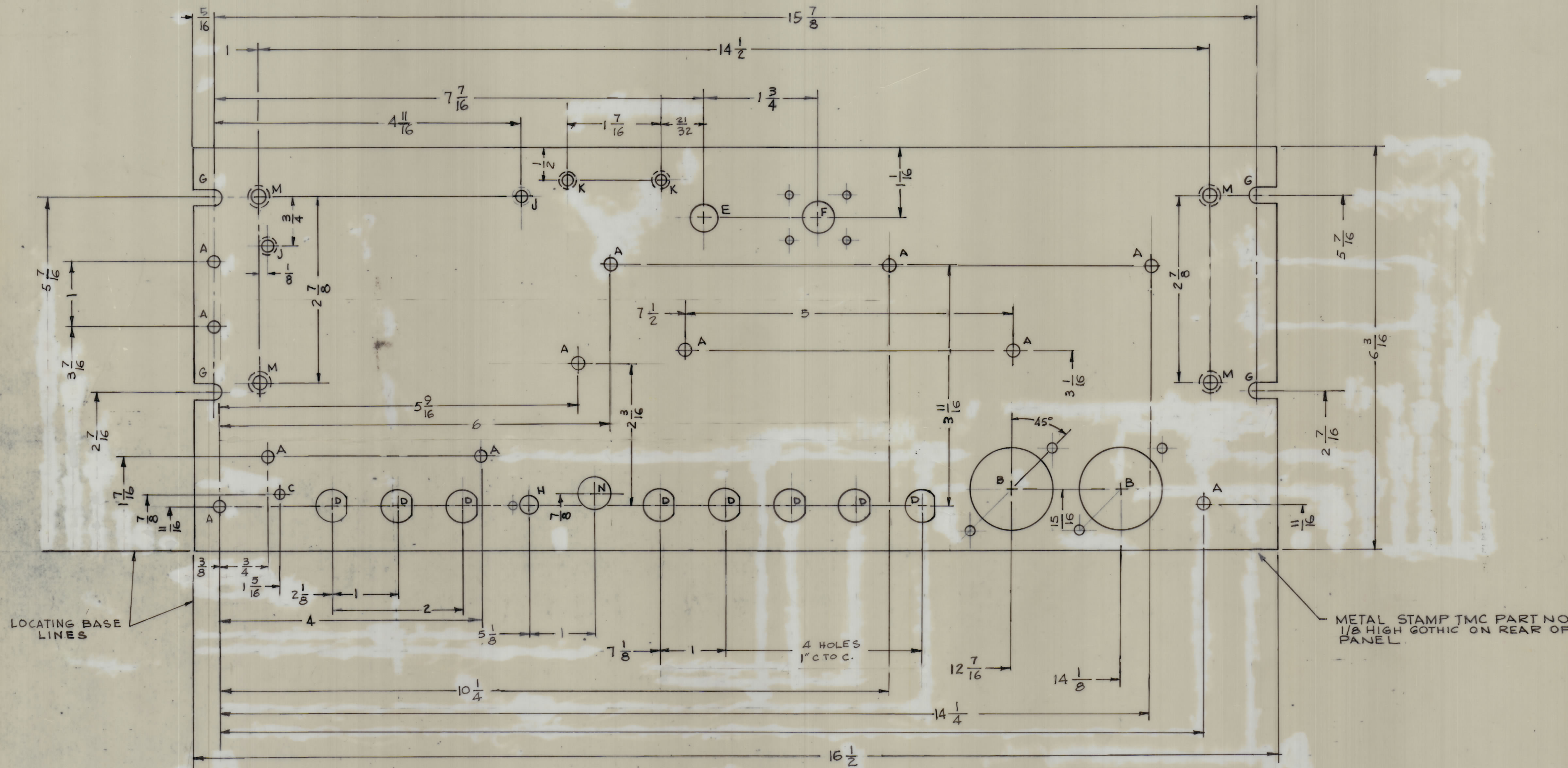


ZONE		SYM	DESCRIPTION	DATE	E.M.N. NO.	DRAFT	CHKD	APPD
			ORIGINAL RELEASE FOR PRODUCTION	9/29/69				

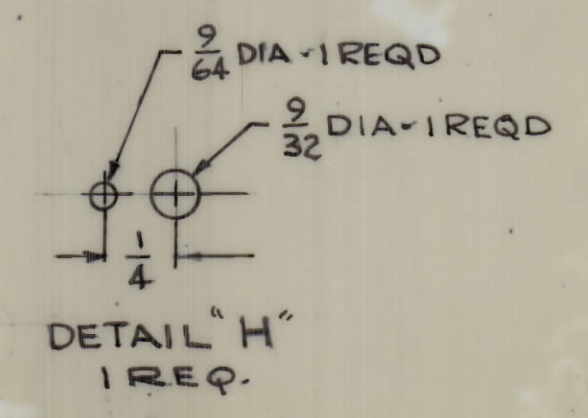
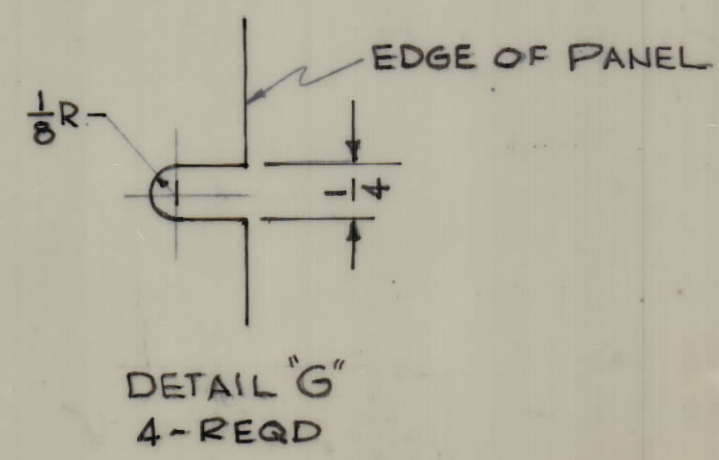
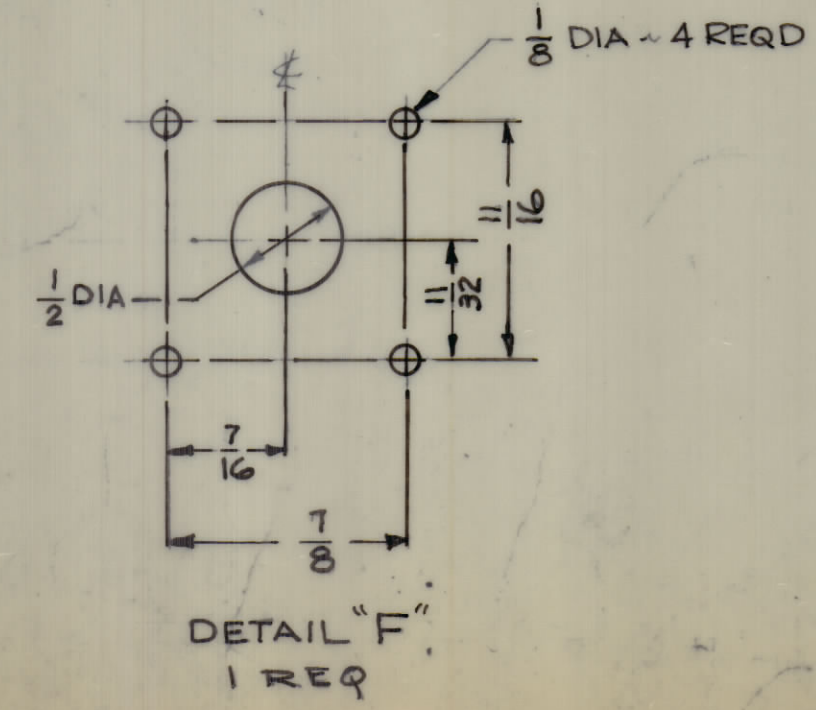
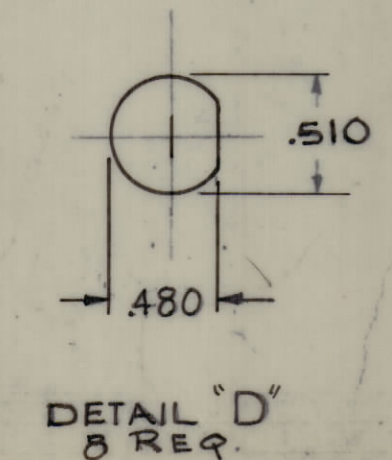
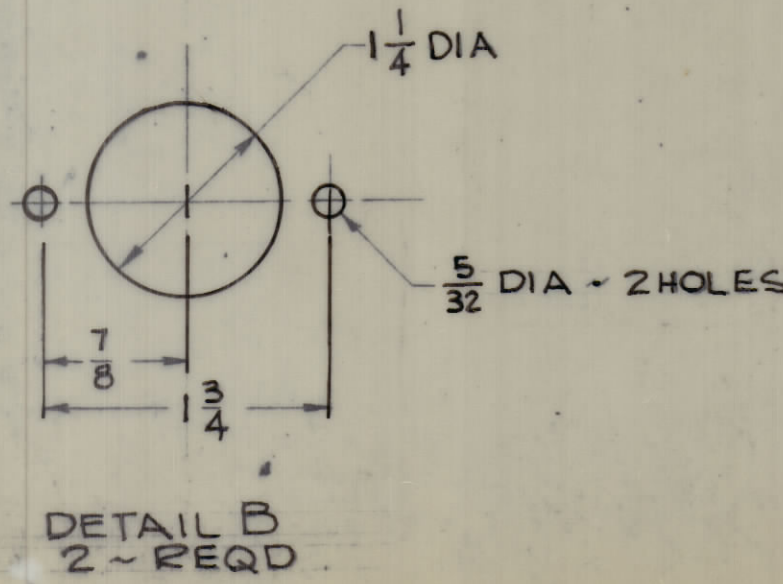


HOLE LEGEND		
HOLE	DESCRIPTION	REQD
A	3/16 DIA	12
B	SEE DETAIL	2
C	5/32 DIA	1
D	SEE DETAIL	8
E	7/16 DIA	1
F	SEE DETAIL	1
G	SEE DETAIL	4
H	SEE DETAIL	1
J	.169 DIA - CSK 82° X .337 DIA	2
M	.196 DIA - CSK 82° X .390 DIA	4
N	1/2 DIA	1
K	.161 - .164 DIA	2

METAL STAMP TMC PART NO. 1/8 HIGH GOTHIC ON REAR OF PANEL

FRONT OF PANEL SHOWN

LOCATING BASE LINES



REF: LD-

REQ'D	ITEM	PART NUMBER	DESCRIPTION	SYMBOL
2	1	NT-129-440-4	NUT, PLAIN, SPLINE	

MATERIAL		LIST OF MATERIAL	
.081 THK ALUMINUM 5052-H32		THE TECHNICAL MATERIEL CORP. MAMARONECK, NEW YORK	
FINISH 5404 YELLOW IRIDITE		TITLE PLATE, REAR	

QTY/UNIT	MODEL USED ON	ASSY. NO.
1	TPSG-1	

SCALE	CODE	DATE	DATE
	A	5-12-65	9/29/69

UNLESS OTHERWISE SPECIFIED DIMENSIONS ARE IN INCHES AND INCLUDE CHEMICALLY APPLIED OR PLATED FINISHES

DESIGNER	CHECKED	DATE	DATE
J. J. DE	G.D.L.	5-12-65	9/29/69

THE CONTENTS OF THIS DRAWING ARE THE EXCLUSIVE PROPERTY OF THE TECHNICAL MATERIEL CORP. ITS UNAUTHORIZED USE OR REPRODUCTION IN WHOLE OR IN PART IS STRICTLY FORBIDDEN.

DECIMALS	FRACTIONS	TOLERANCES	ANGLE
± .05	± 1/64	± .005	± 30'

SYMBOL	DATE	REV. LTR.

MS 4569

NOTES